

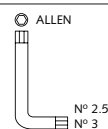
- RETRO WINDSCREEN FOR Ø195 HEADLIGHT FOR - UNIVERSAL



Ref.: 9553
black colour



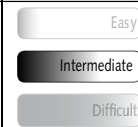
Ref.: 9515
carbon look



1 person



25 min



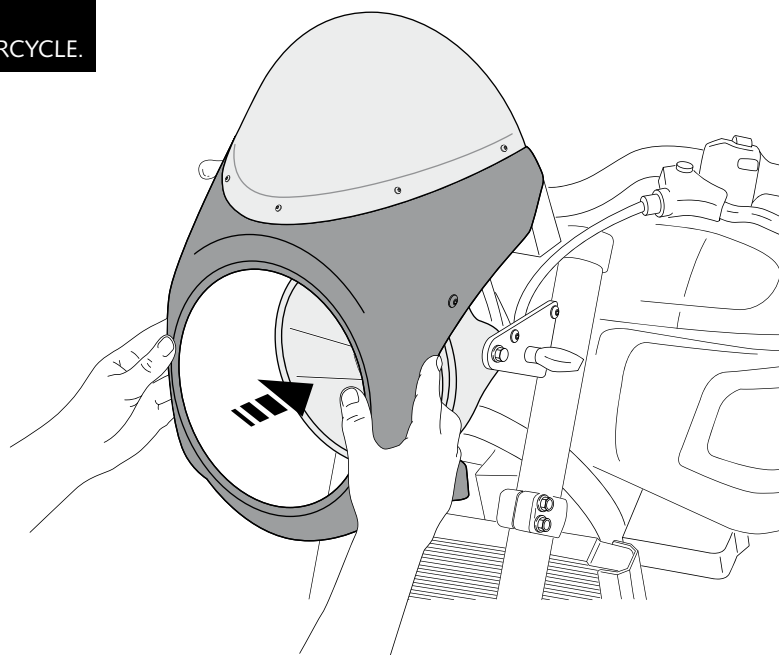
ID	PART	DESCRIPTION	QTY	REF.
1		Screen	1	9196 F/H/N/WM3
2		ABS fairing	1	9230C/JM3
3		Right superior metal support (R)	1	SOPOR-4P-3-9553
4		Left superior metal support (L)	1	SOPOR-4P-3-9553
5		Right headlight displacer (R)	1	SOPOR-4P-3-9553
6		Left headlight displacer (L)	1	SOPOR-4P-3-9553
7		M8 self-locking nut	2	TUEA-D985.8-M8-
8		M4x16 ISO 7380 Allen screw	5	TORNIAI7380_310
9		Silentblock M4	5	SILENBTM4__062
10		M4x0,5 Nylon washer	5	ARNV00000000311
11		M5x16 ISO 7380 Allen screw	4	TORNI-I7380-493
12		Silentblock M5	4	SILENBTM5-046/1
13		M5x1 Nylon washer	4	ARNV00000000245
14		M5 ISO 7380 Allen screw cap	4	TAPON-----85
15		Ø8,5 x Ø13x3,5 arrowhead	2	CASQUI-----775
		Ø8,5 x Ø13x6 arrowhead	2	CASQUI-----776
		Ø8,5 x Ø13x9 arrowhead	2	CASQUI-----777
16		DIN 933 M8x45 exagonal screw	2	TORNIE845Z-0012
17		M8 DIN 125 metallic washer	2	ARANDPD125A-018
18		M5x20 DIN933 screw	2	TORNI-D933--537
19		M5 Special nut	2	TUERC-D6923-255
20		Ø6,5x Ø13x 8,5 arrowhead	2	CASQUI-----0298
21		Stickers set	1	ADHESI-V2---249

- RETRO WINDSCREEN FOR Ø195 HEADLIGHT FOR -

UNIVERSAL

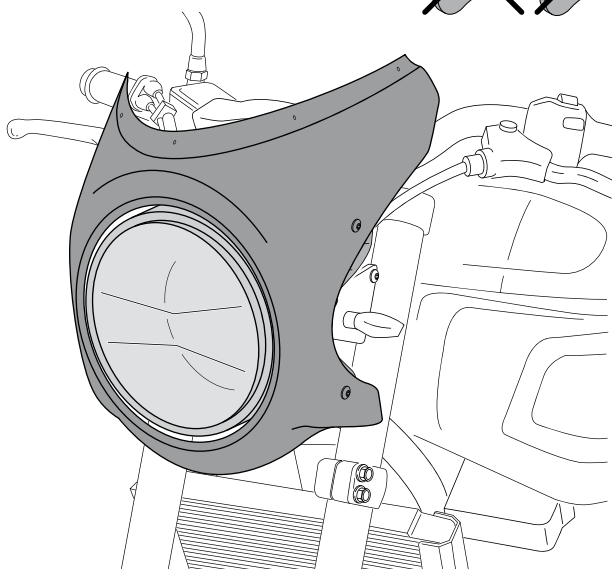
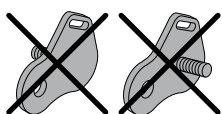
- MOUNTING INSTRUCTIONS -

PRESENT IN THE MOTORCYCLE.



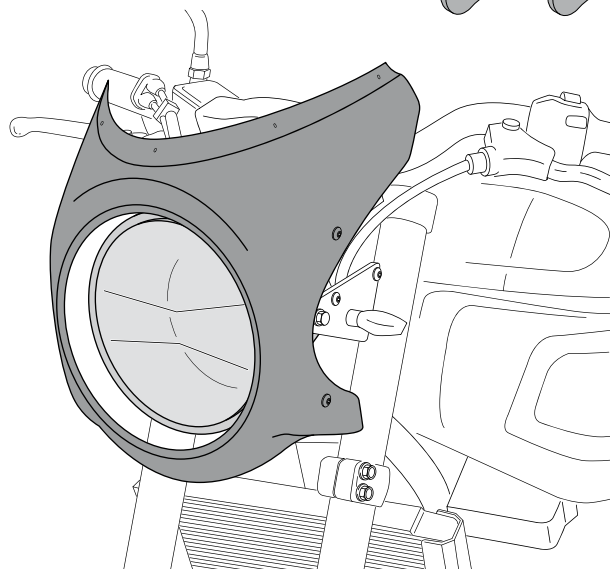
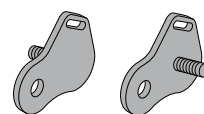
A

HEADLIGHT DISPLACERS NOT NEEDED.



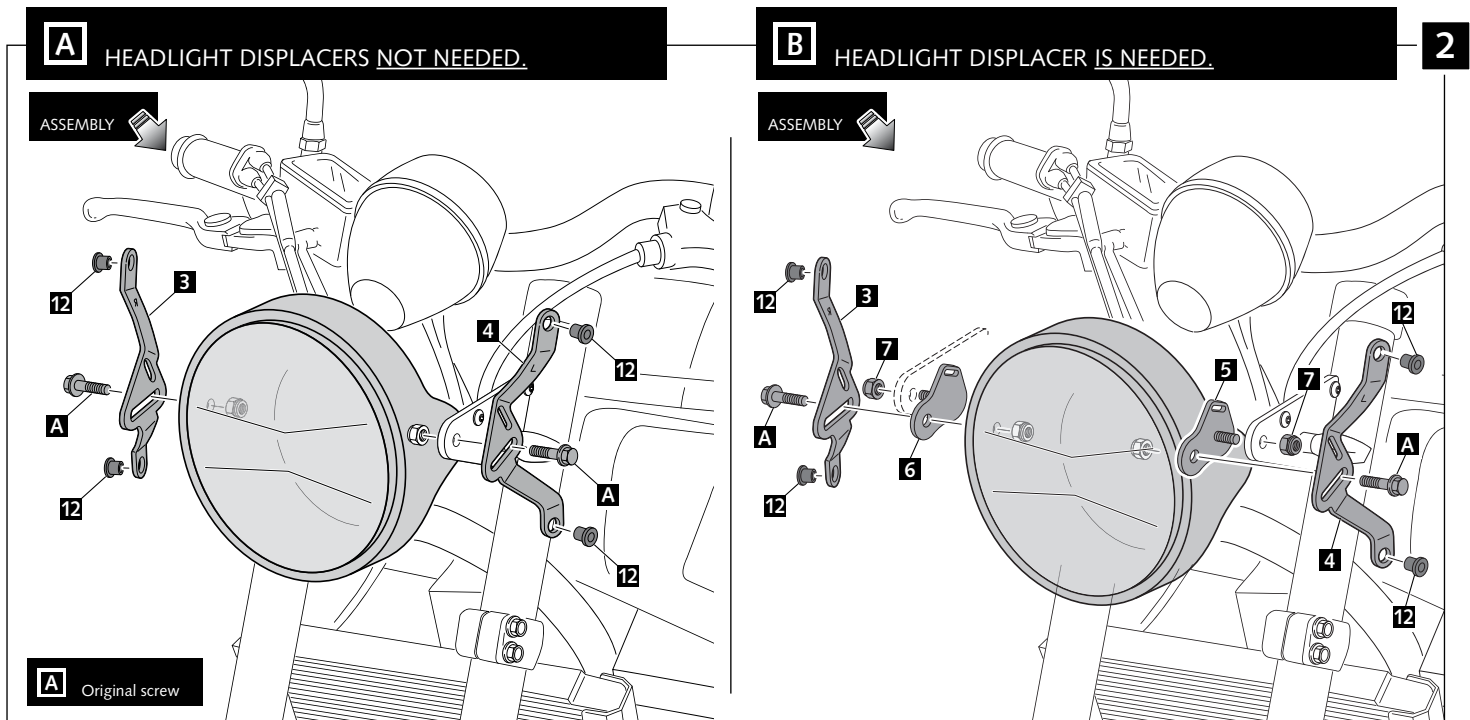
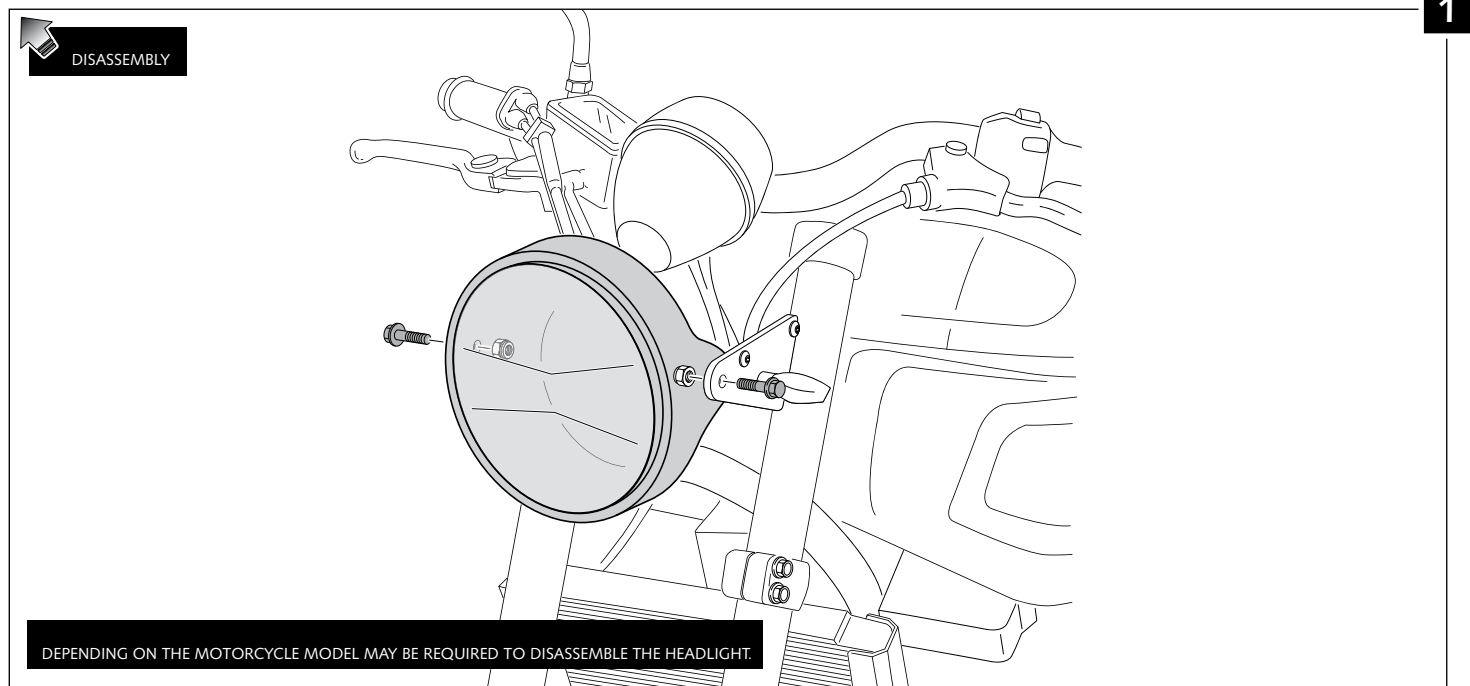
B

HEADLIGHT DISPLACER IS NEEDED.



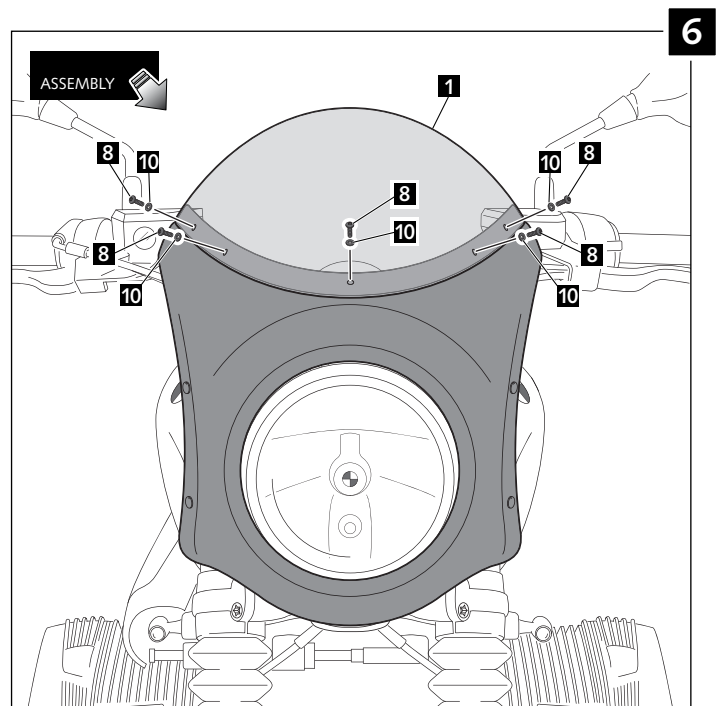
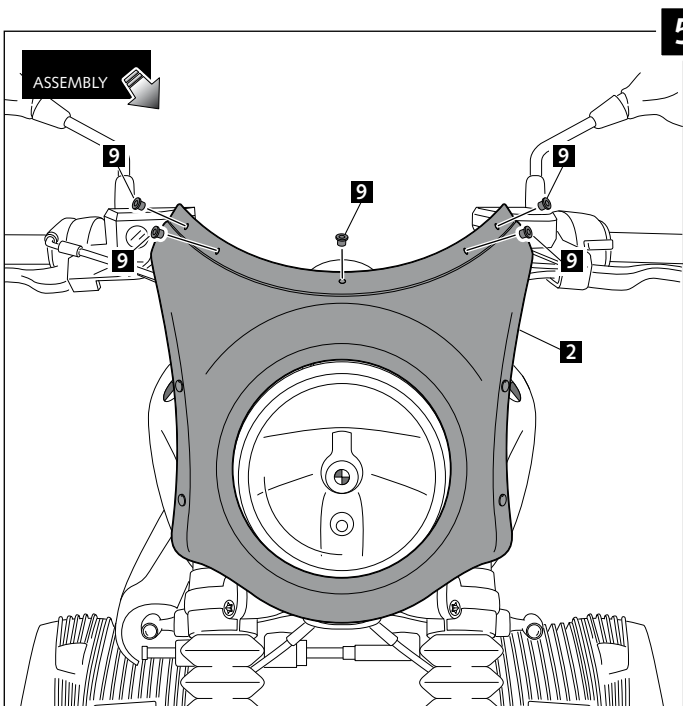
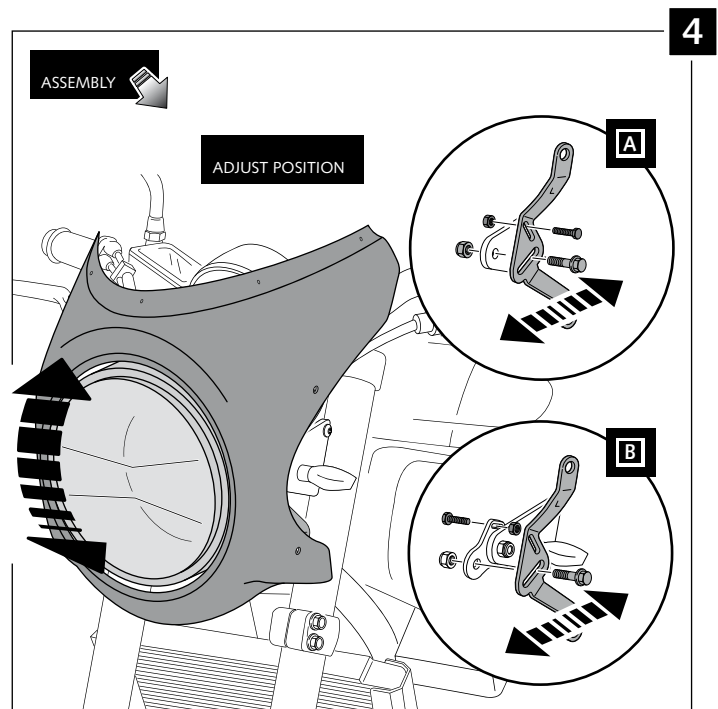
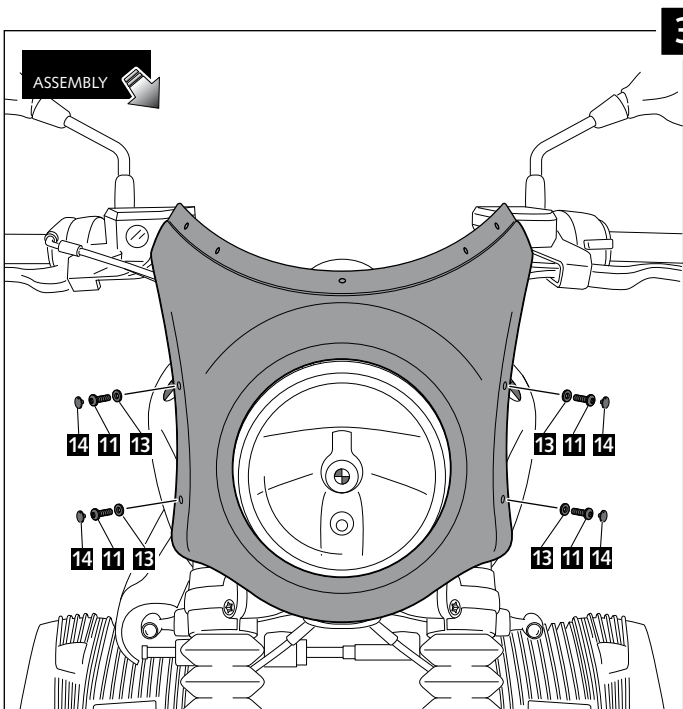
- RETRO WINDSCREEN FOR Ø195 HEADLIGHT FOR - UNIVERSAL

- MOUNTING INSTRUCTIONS -



- RETRO WINDSCREEN FOR Ø195 HEADLIGHT FOR - UNIVERSAL

MOUNTING INSTRUCTIONS



- RETRO WINDSCREEN FOR Ø195 HEADLIGHT FOR -
UNIVERSAL

