

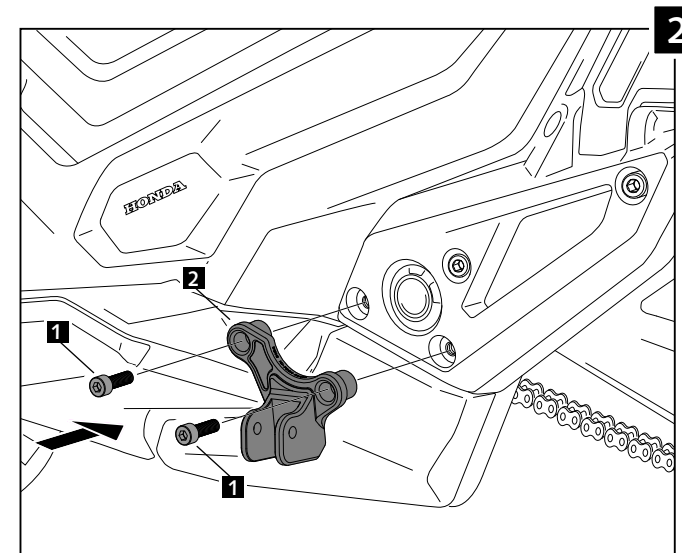
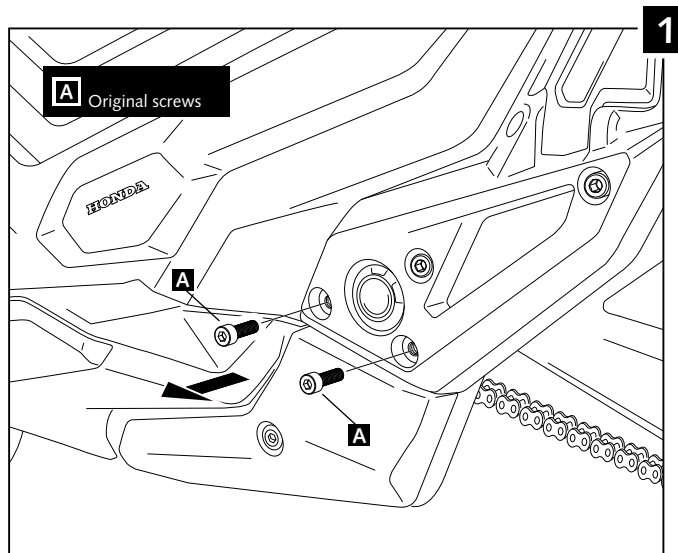
It would be convenient to re-tight the footpegs pilot set screws, specially the ones that are fixed to the motorcycle, whenever you maintain the vehicle.

Thanks for your attention.

MOUNTING INSTRUCTIONS

FOOTPEGS PILOT SET TO HONDA X-ADV '17

Ref.: 9484N



ID.	DESCRIPTION	QTY.
1	M8x20 DIN912 screw	4
2	Peg support	2
3	Peg socket	2
4	Spring	2
5	Ball	4
6	Metal plate	2
7	Circlick	2
8	Axel	2
9	Ref.7587N peg	-

MOUNTING INSTRUCTIONS

FOOTPEGS PILOT SET TO
HONDA X-ADV '17

Ref.: 9484N

