

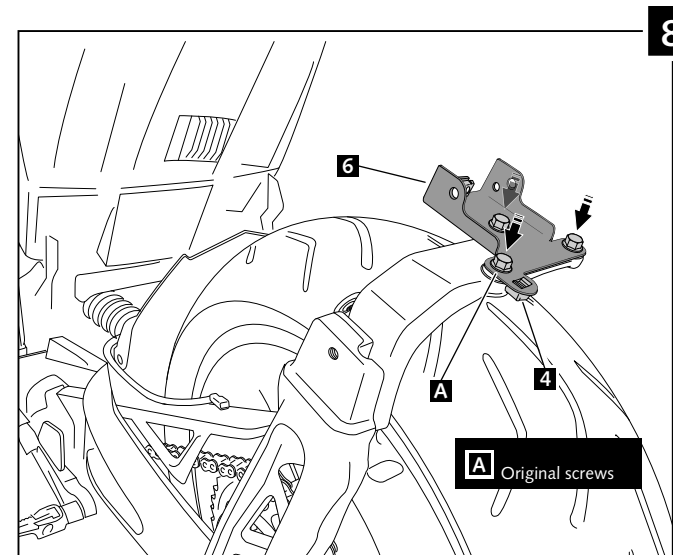
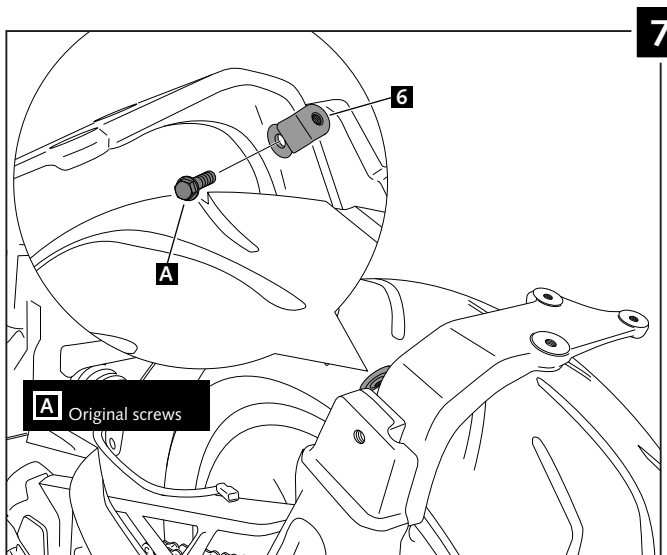
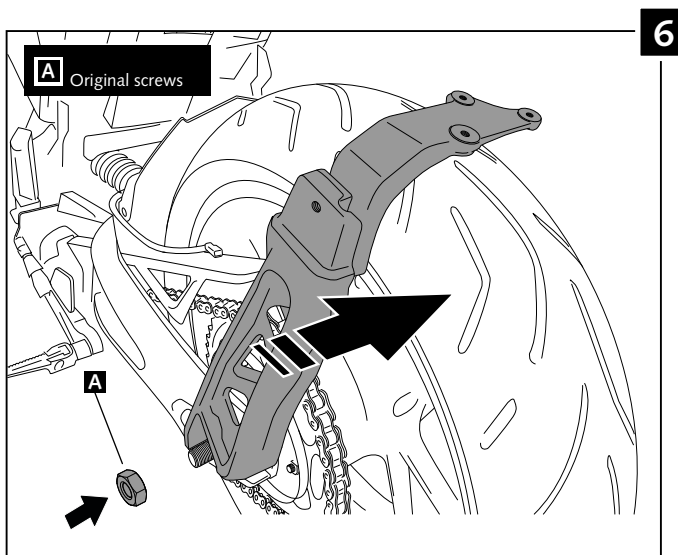
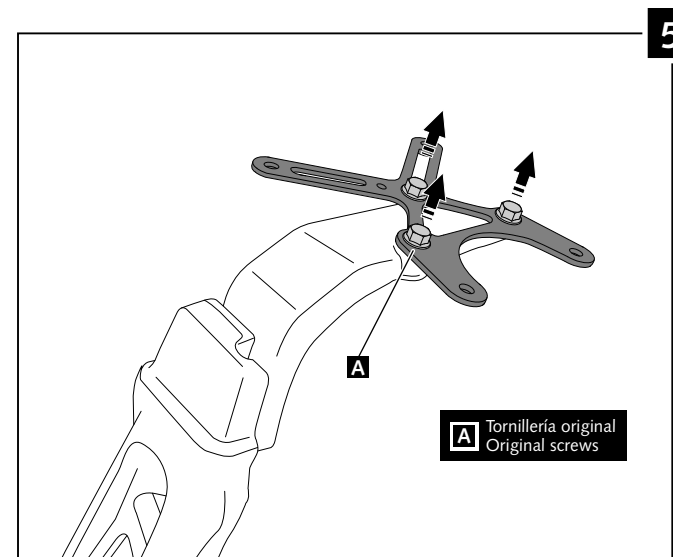
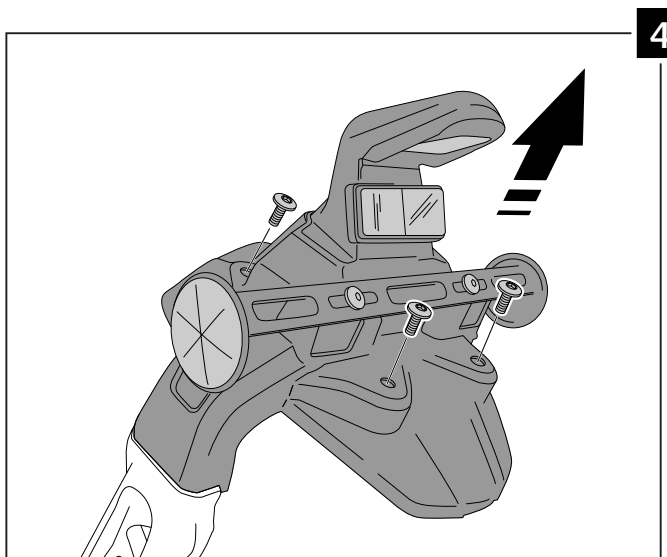
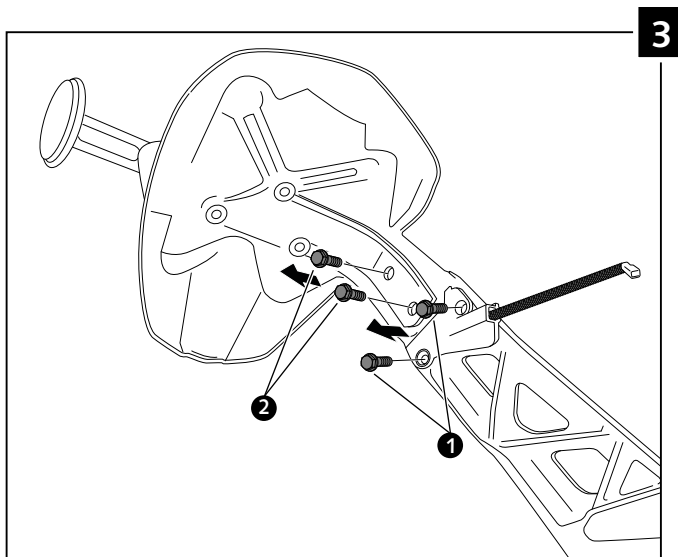
It would be convenient to re-tight the licence support screws, specially the ones that are fixed to the motorcycle, whenever you maintain the vehicle.

Thanks for your attention.

ID.	DESCRIPTION	QTY.
1	Licence support	1
2	M5x15 DIN1001 screw (black)	2
3	M5x10 DIN1001 screw (black)	1
4	M5 cage nut	2
5	Top Cover	1
6	Interior support	1
7	Plastic cover	1
8	Plastic Bridle	5
9	Back light	1
10	Reflector	1

LICENSE SUPPORT ADAPTABLE TO
YAMAHA MT09 17'-

Ref.: 9394N



LICENSE SUPPORT ADAPTABLE TO
YAMAHA MT09 17'-

Ref.: 9394N

