

RETRO RETROVISION WINDVISION WINDSCREEN FOR BMW R NINE T SCRAMBLER



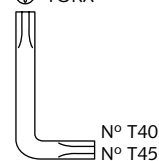
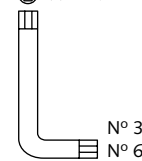
Ref.: 9338
(Black fairing)

Ref.: 9339
(Carbon look fairing)



ALLEN

TORX



1 persona
1 person



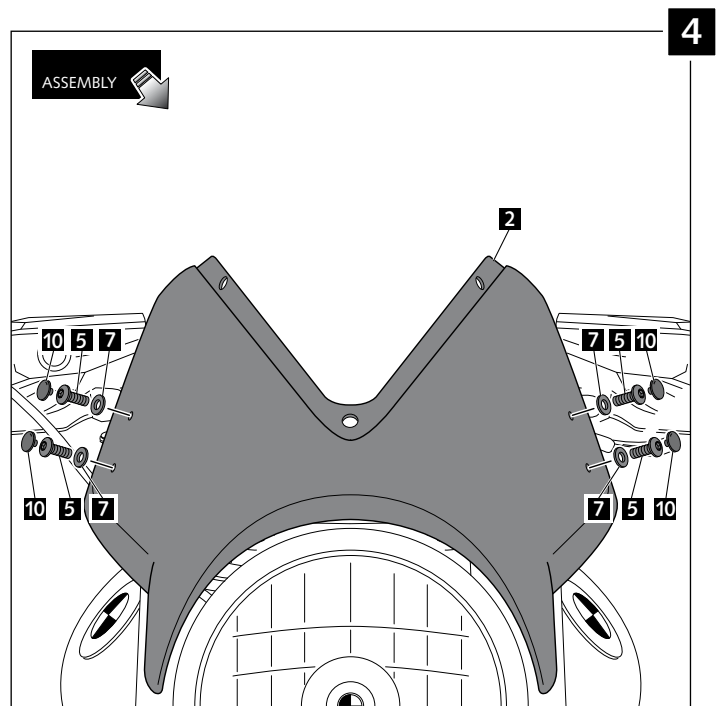
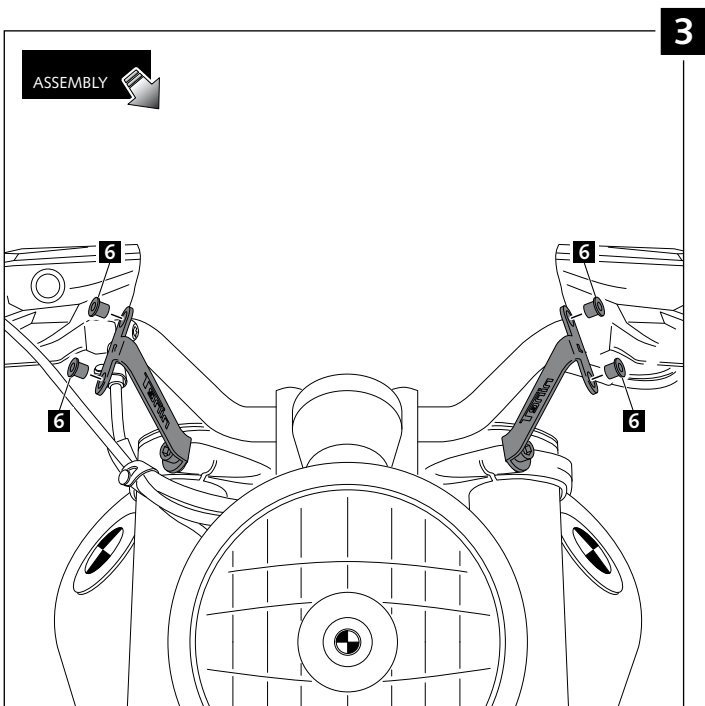
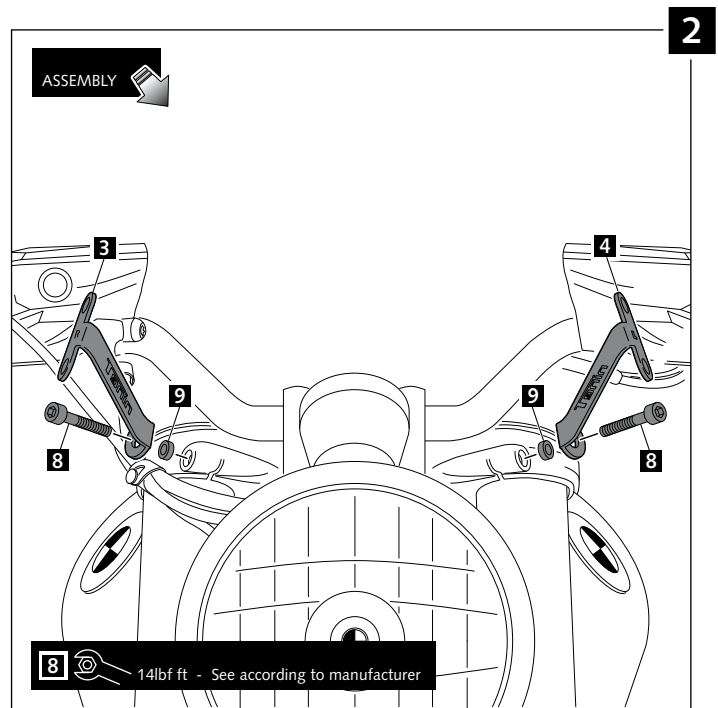
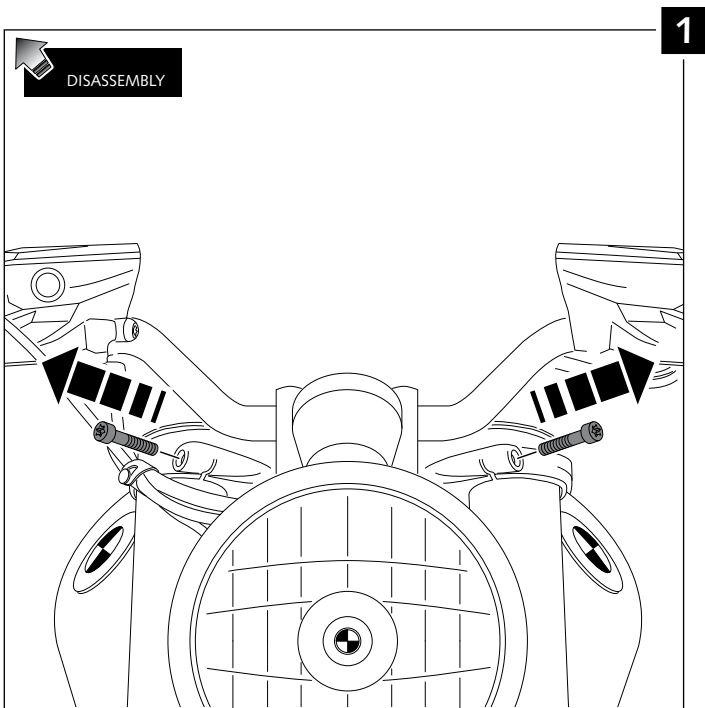
10 min

Easy

ID	PIEZA / PART	DESCRIPTION	QTY	REF.
1		Screen	1	1517 F/H/N/W
2		ABS fairing	1	10562 NM3 10562 CM3
3		Right metal support (R)	1	SOPOR-2P-1-9338
4		Left metal support (L)	1	SOPOR-2P-1-9338
5		M5x16 ISO 7380 Allen screw	7	TORNI-I7380-493
6		Silentblock M5	7	SILENBTM5-046/1
7		M5x0,5 Nylon washer	7	ARNV0000000245
8		M8x35 DIN 912 Allen screw	2	TORNI-AD912-196
9		Ø inner 8,5 x Ø outer 14x9 Arrowhead	2	CASQUI___0100
10		M5 ISO 7380 Allen screw cap	7	TAPON___85
11		Stikers set	1	ADHESI___207 ADHESI___208

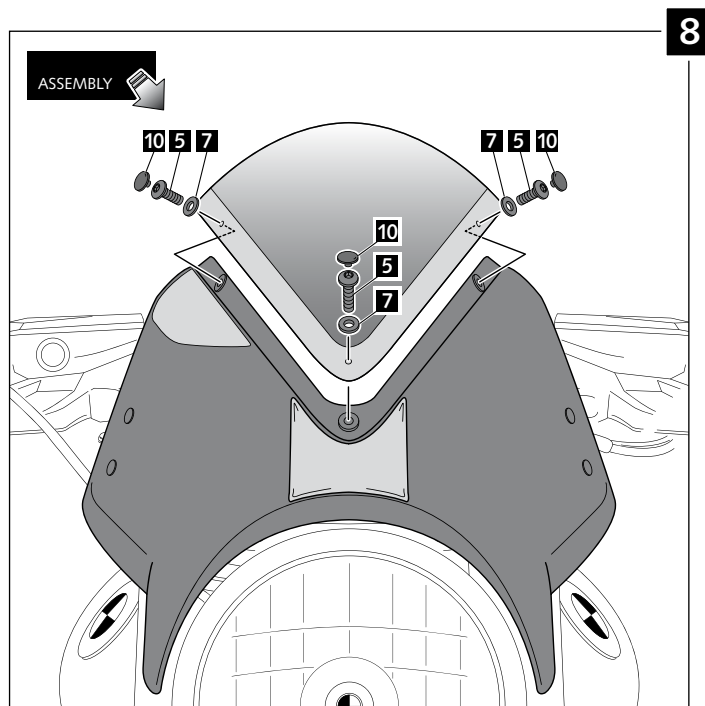
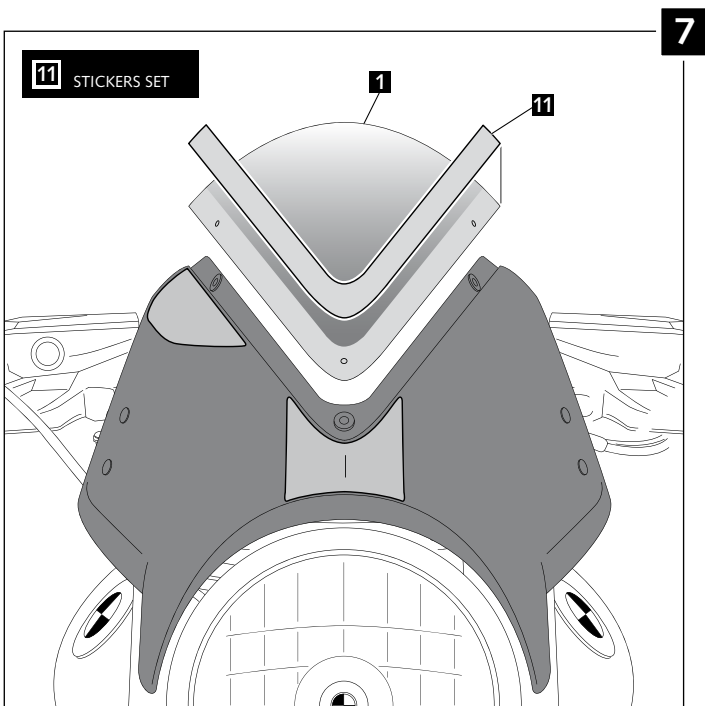
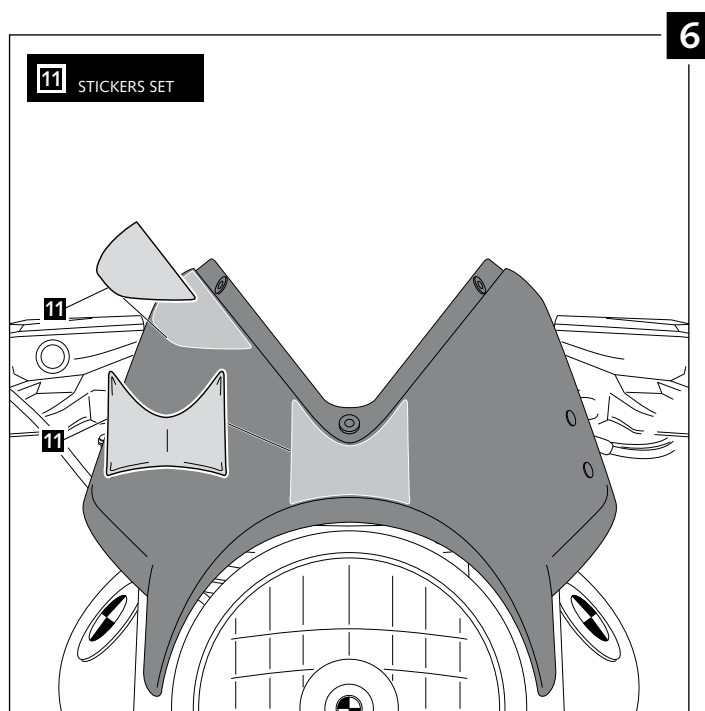
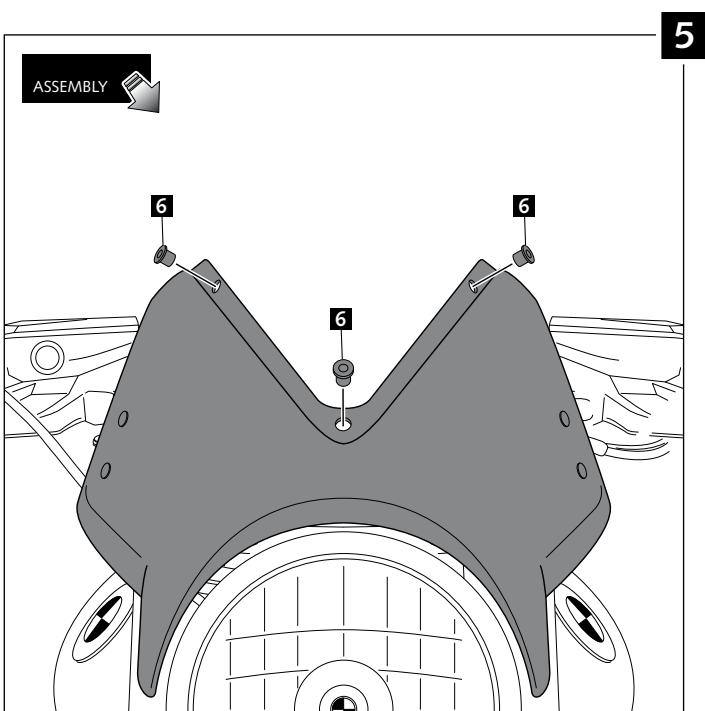
BMW R NINE T SCRAMBLER

MOUNTING INSTRUCTIONS



BMW R NINE T SCRAMBLER

MOUNTING INSTRUCTIONS

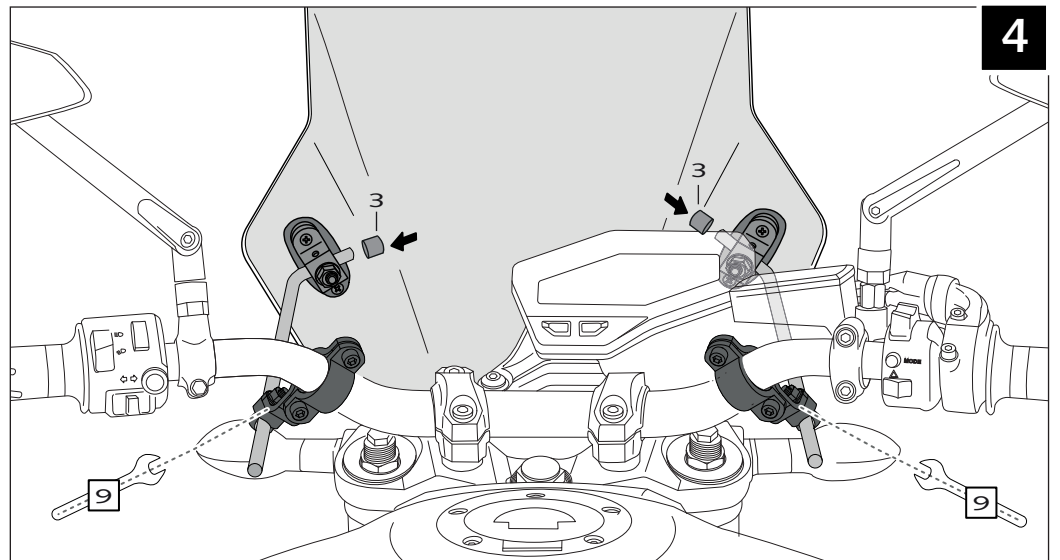
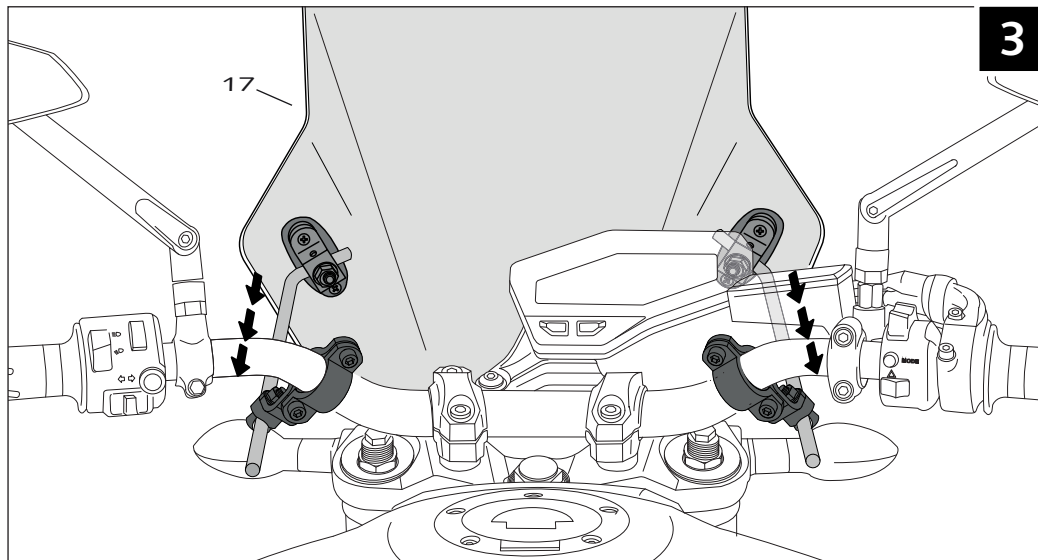
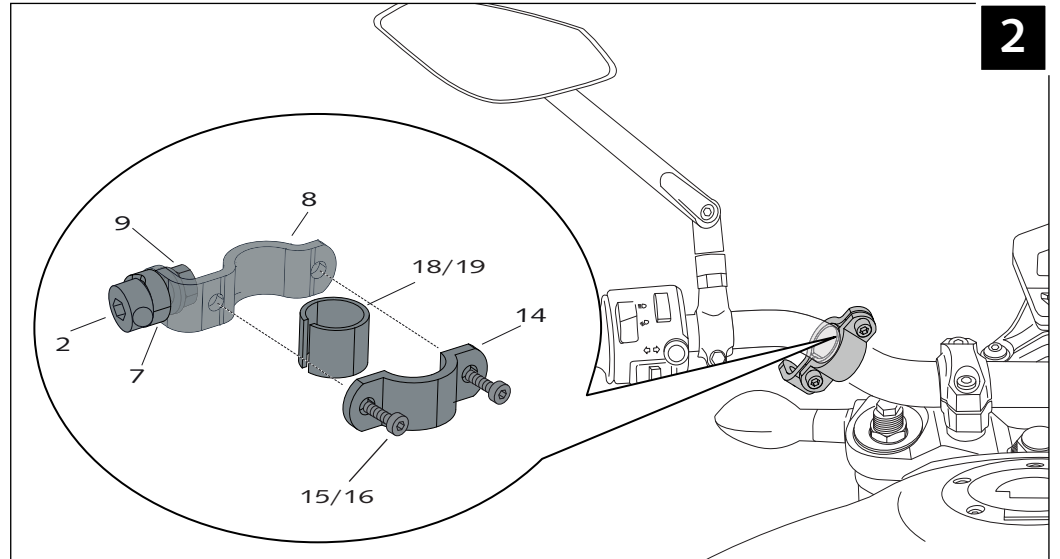
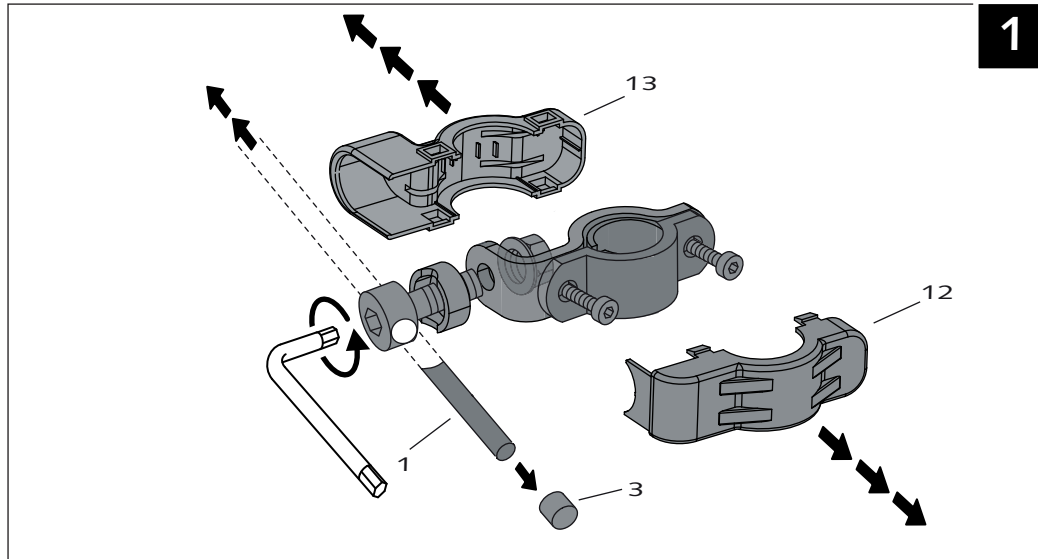


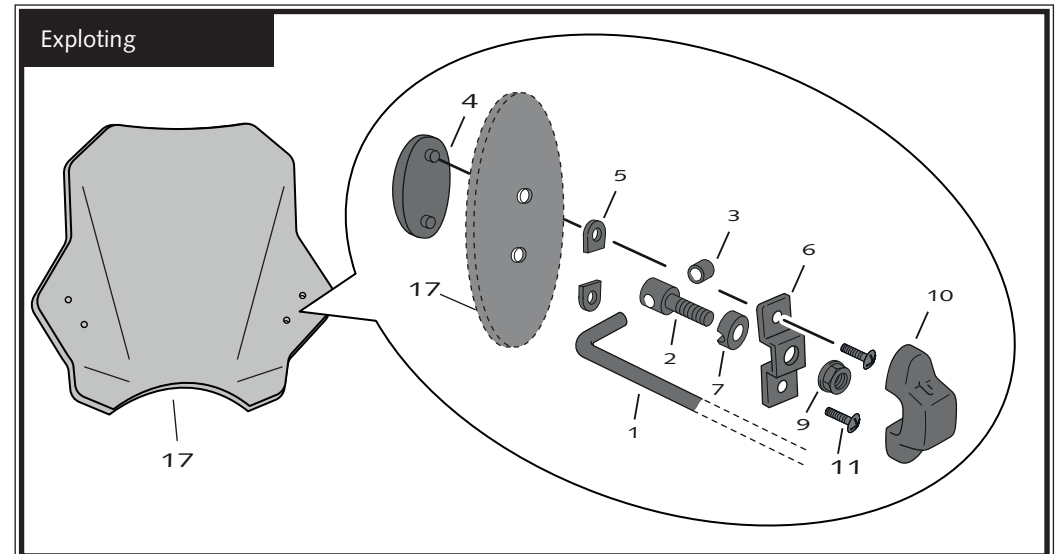
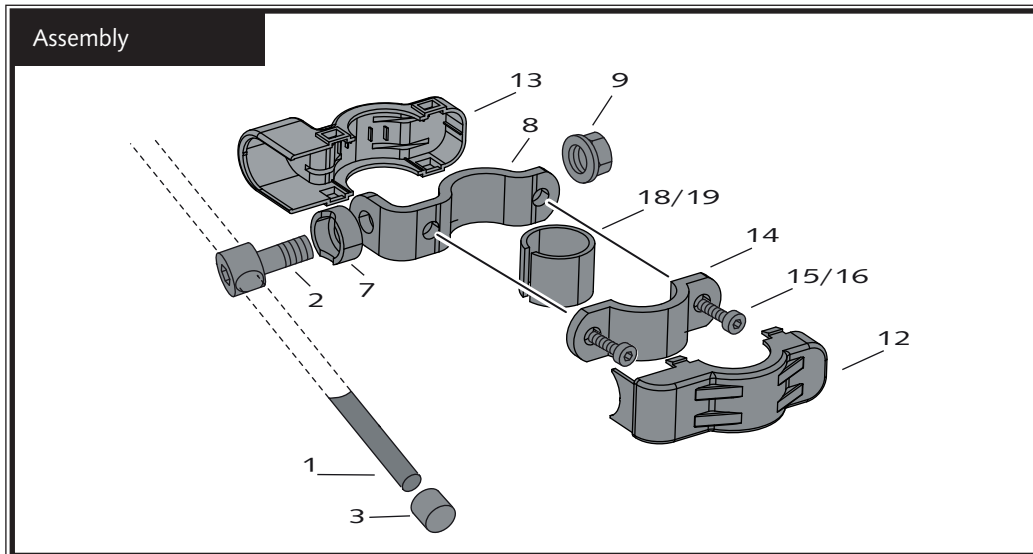
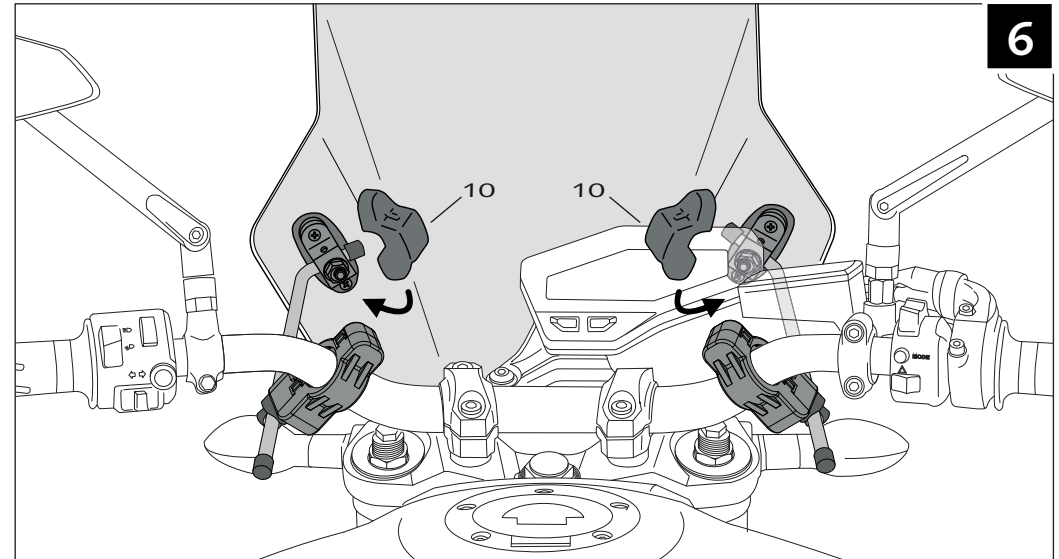
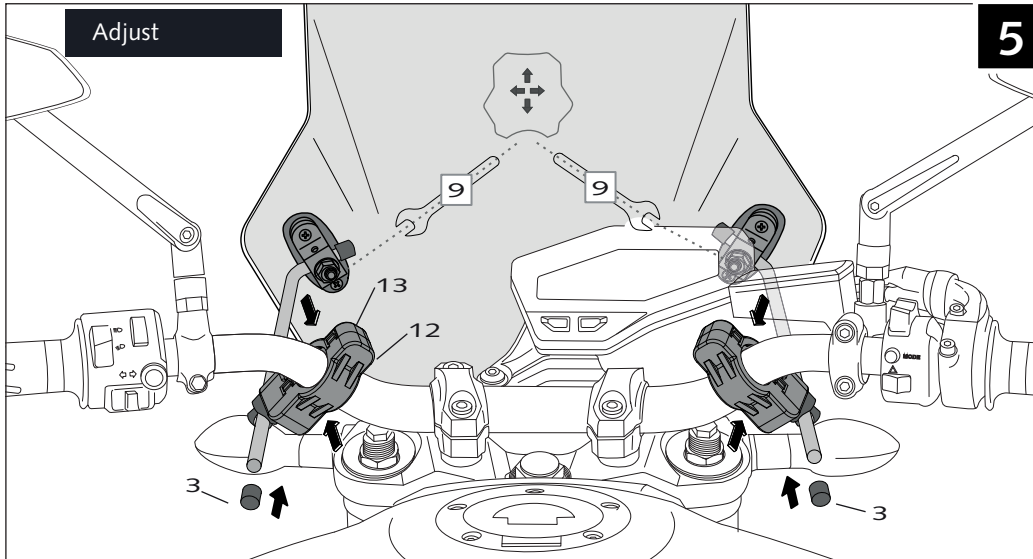
UNIVERSAL TOURING SCREEN Ref.: 8088



ID.	PIECE	DESCRIPTION	QTY.
1		Ø9x200 bar	2
2		Screw with drill through M8x30	4
3		Cover plastic to bar	4
4		Plastic support with adhesive	2
5		Separator	4
6		Support	2
7		Special washer	4
8		Large semi-bridle	2
9		DIN 6923 Special M8 nut	4
10		Support Trim n° 6	2
11		Philips screw Ø5x13	4
12		Trim short semi-bridle	2
13		Trim large semi-bridle	2
14		Short semi-bridle	2
15		Allen screw DIN 912 M6x12	4
16		Allen screw DIN 912 M6x16	4
17		Windshield	1
18		Arrowhead applicate the handlebar Ø26	2
19		Arrowhead applicate the handlebar Ø22	2

UNIVERSAL TOURING SCREEN Ref.: 8088







Rely only on high-grade motorcycle windshields & fairings offered on our virtual shelves.