

2 FUNCTIONALITIES

Cover hollow areas of chassis and improves look of the bike

Kit consists of thirteen pieces.
Seven caps for the left side (check drawing).
Six caps for the right side.
Be sure that the holes are clean before you cover them.

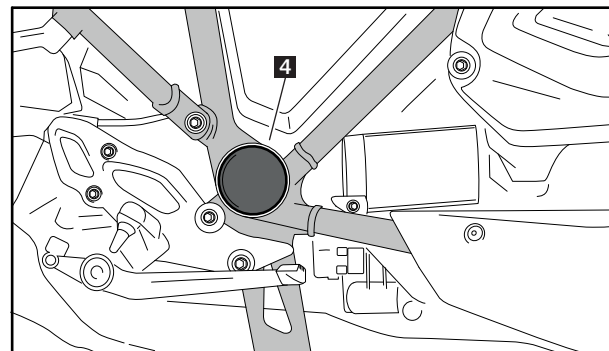
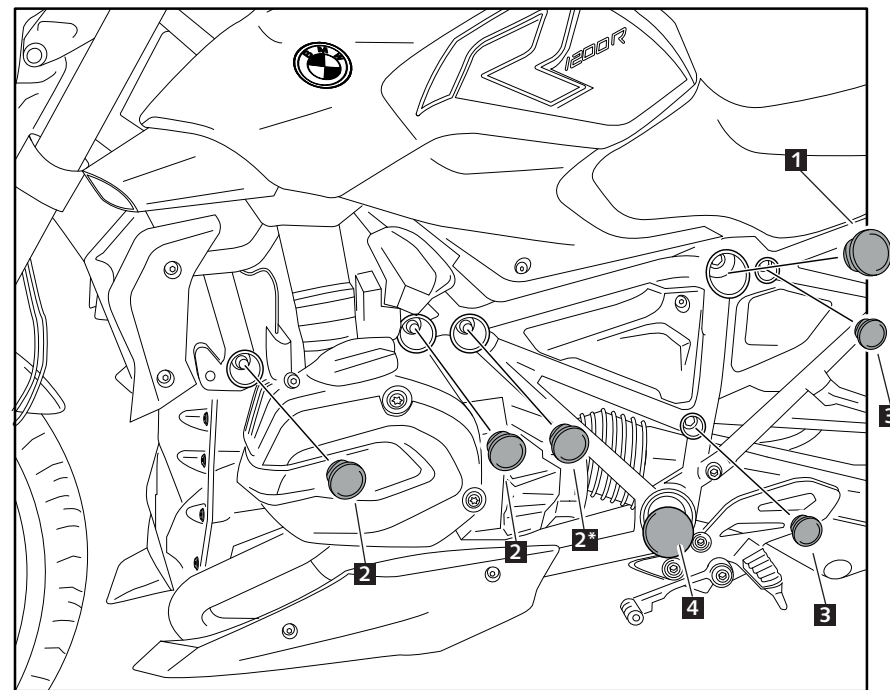
ID.	PART	DESCRIPTION	QTY.
1		Cap Ø52mm	2
2		Cap Ø39mm with 3 ribs	4
		Cap Ø39mm with 3 ribs	2*
3		Cap Ø39mm with 2 ribs	3**
4		Cap Ø63mm	2
5		Sand paper strips	2

* Cap with cut

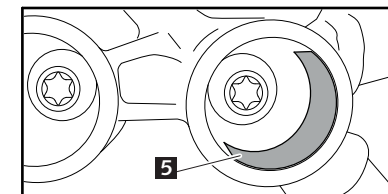
** 2x Left side (drawing) / 1x right side

Ref.: 9333

CAPS TO
BMW R1200R / RS 15'



Left Side



Put the sandpaper in the previously cleaned holes and wait for 10 minutes approx. before inserting the caps (pos. 2 *).