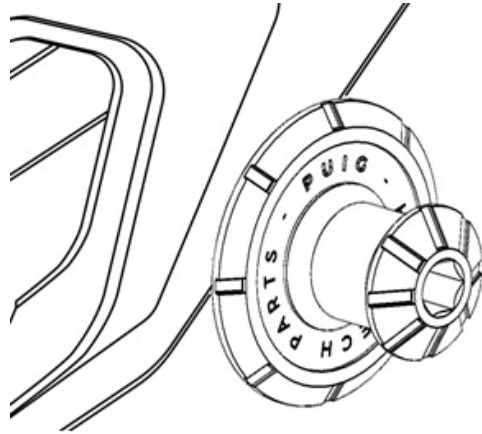
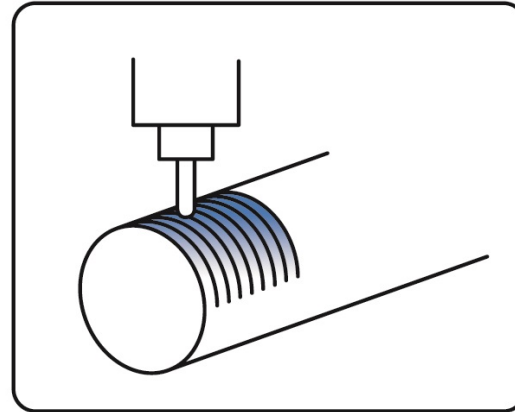


TECHNICAL FEATURES



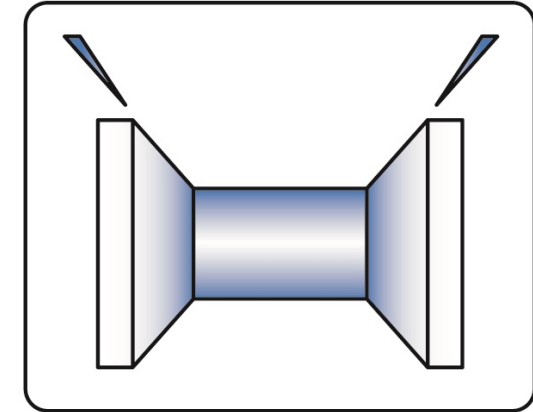
PROTECTION

The swingarm is protected by the incorporation of the nylon washer.



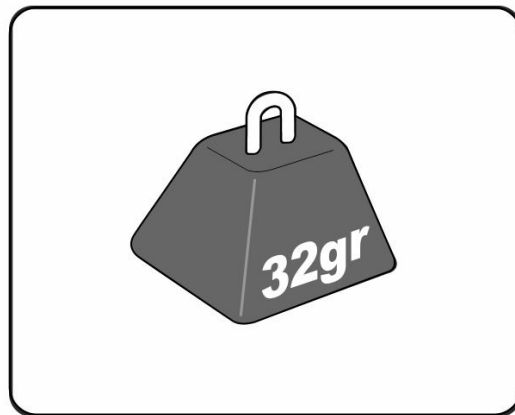
MATERIAL

Manufactured from a mass of milled and anodized aluminum or nylon for greater robustness.



Fixation

Lace guide with the easel to raise the motorcycle off the ground quickly and safely.



WEIGHT

When it comes to quality motorcycle guards & protection, Puig is the brand you can depend on.