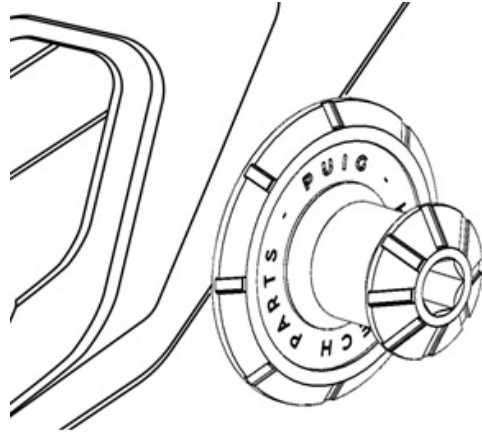
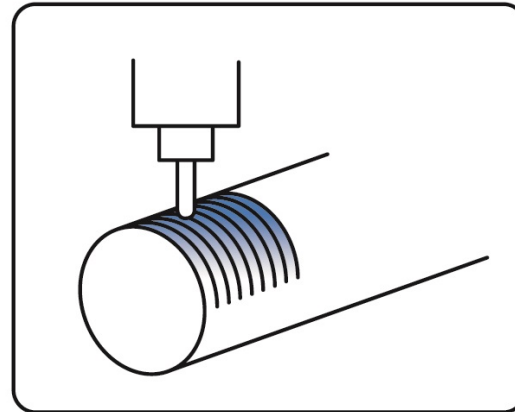


## TECHNICAL FEATURES



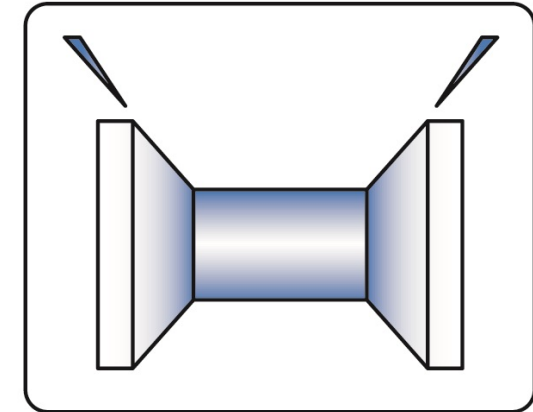
### PROTECTION

The swingarm is protected by the incorporation of the nylon washer.



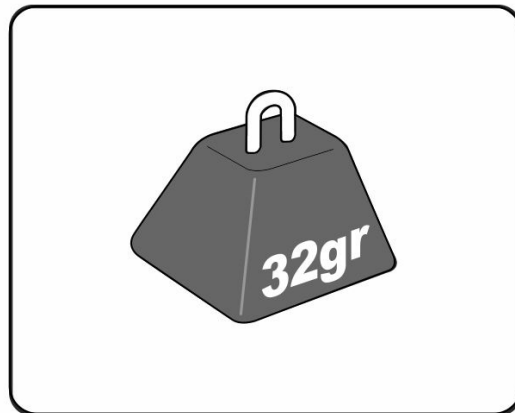
### MATERIAL

Manufactured from a mass of milled and anodized aluminum or nylon for greater robustness.



### Fixation

Lace guide with the easel to raise the motorcycle off the ground quickly and safely.



### WEIGHT

When it comes to quality motorcycle guards & protection, Puig is the brand you can depend on.