

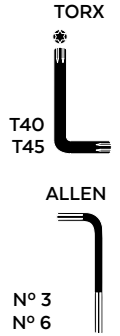
BMW R NINE-T SCRAMBLER




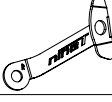

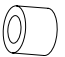
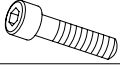
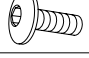
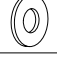

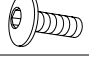



REF 9797

**ALUMINUM
FRONT PLATE**

REF 9252

**ABS
FRONT PLATE**



ID.	PART	DESCRIPTION	QTY.	REF.:
1		ABS front plate	1	10526J/CM3
		ALUMINUM front plate		9807P/N
2		Left support	1	SOPOR-2P-1-9252
3		Right support	1	SOPOR-2P-1-9252
4		M5 silentblock	2	SILENBTM5-046/1
5		Ø8,5xØ14x9mm spacer	2	CASQUI____0100
6		M8x35 DIN 912 allen screw	2	TORNI-AD912-196
7		M5x16 Ø11 ISO 7380 allen screw	2	TORNI-I7380-493
8		M5x1 nylon washer	2	ARNV0000000245
9		M5 screw cap	2	TAPON-----85
10		M5x16 Ø11 ISO 7380 allen screw (INOX)	2	TORNI-IA----423
11		Ø8 x2 silicon spacers (Supplied mounted on items 2/3)	4	ADHESI-GT-D8---
12		Selft-autoadhesive trim lenght 190mm, 6,2mm x 2,6mm *ONLY FOR ALUMINUM FRONT PLATE (REF:9807)	1	PERFIL-PVC-1048
13		Stickers set	1	10535

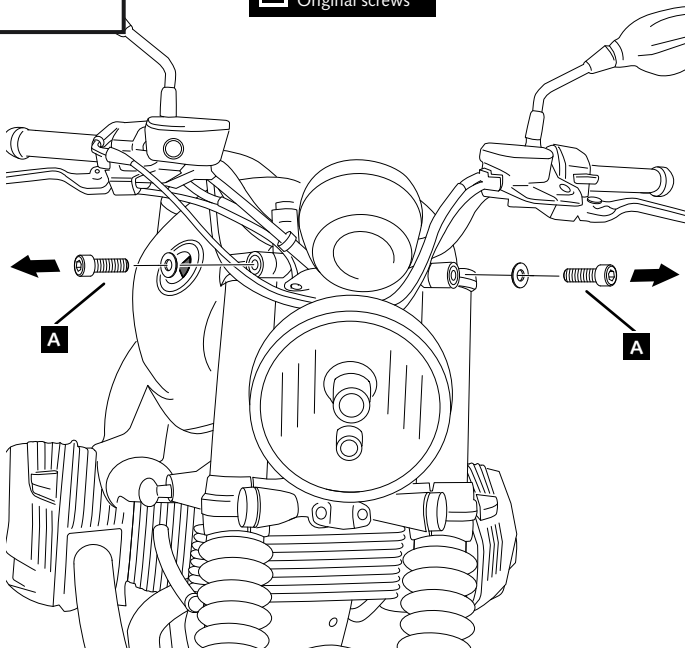
BMW R NINE-T SCRAMBLER

INSTRUCCIONES DE MONTAJE - MOUNTING INSTRUCTIONS - MONTAGEANLEITUNG

1

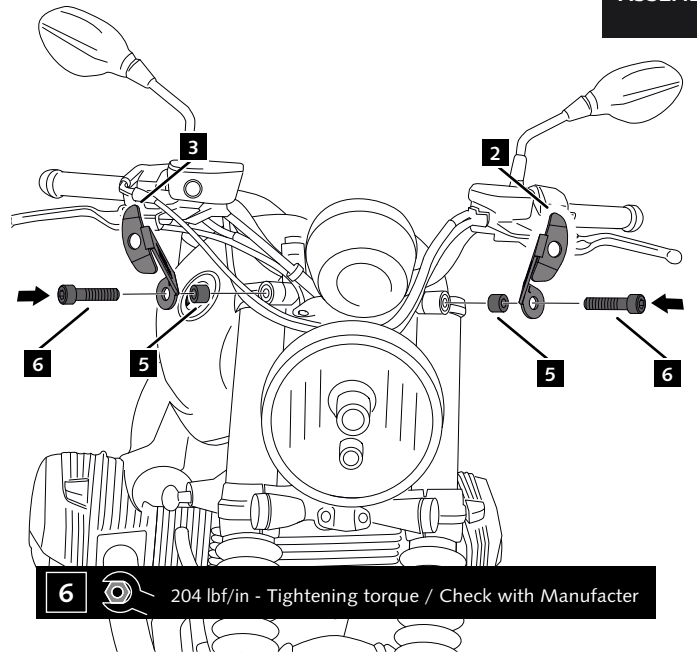
DISASSEMBLY

A Original screws



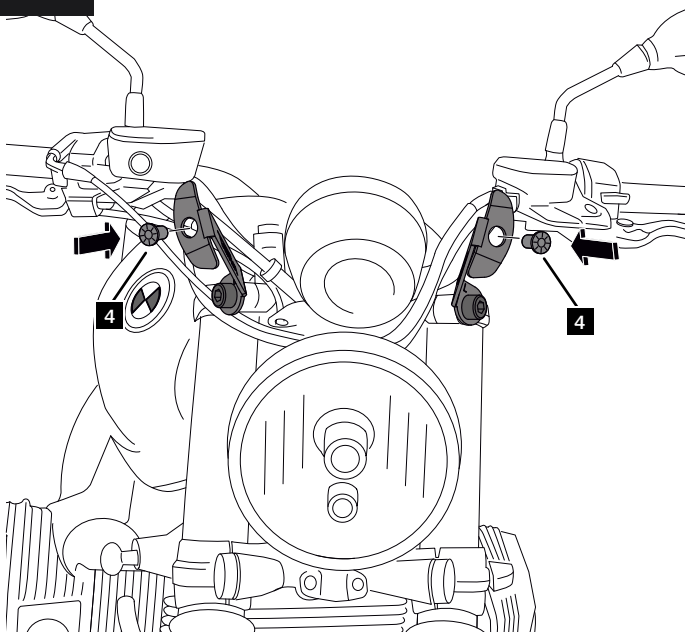
2

ASSEMBLY



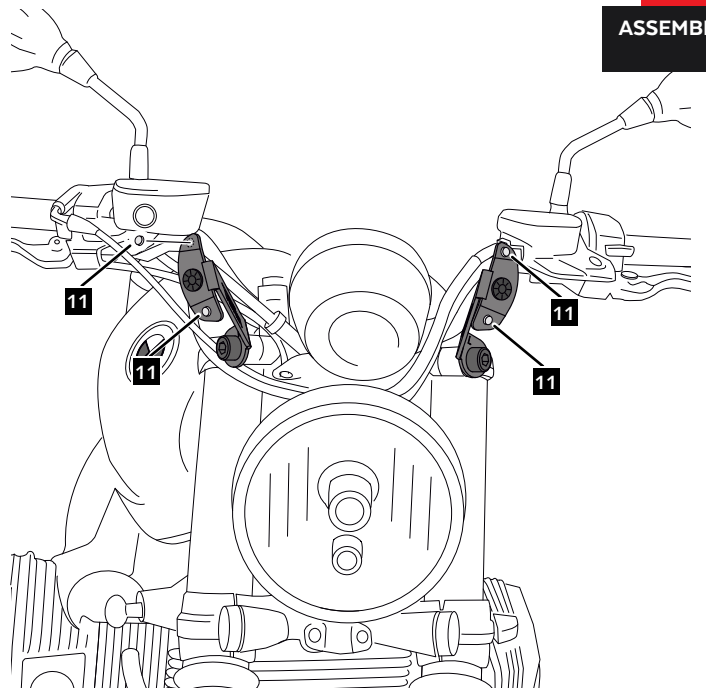
3

ASSEMBLY



4

ASSEMBLY

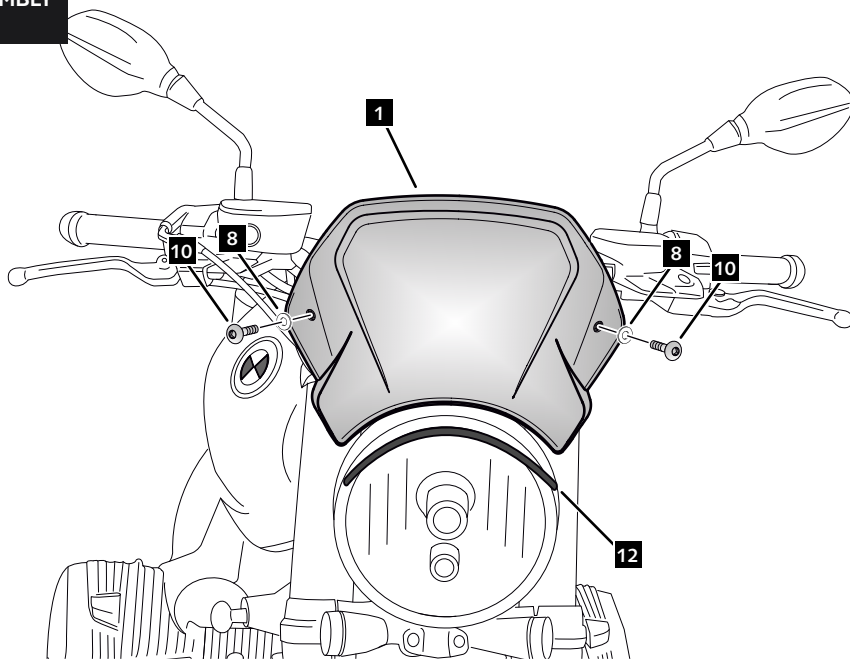


BMW R NINE-T SCRAMBLER

MOUNTING INSTRUCTIONS

5

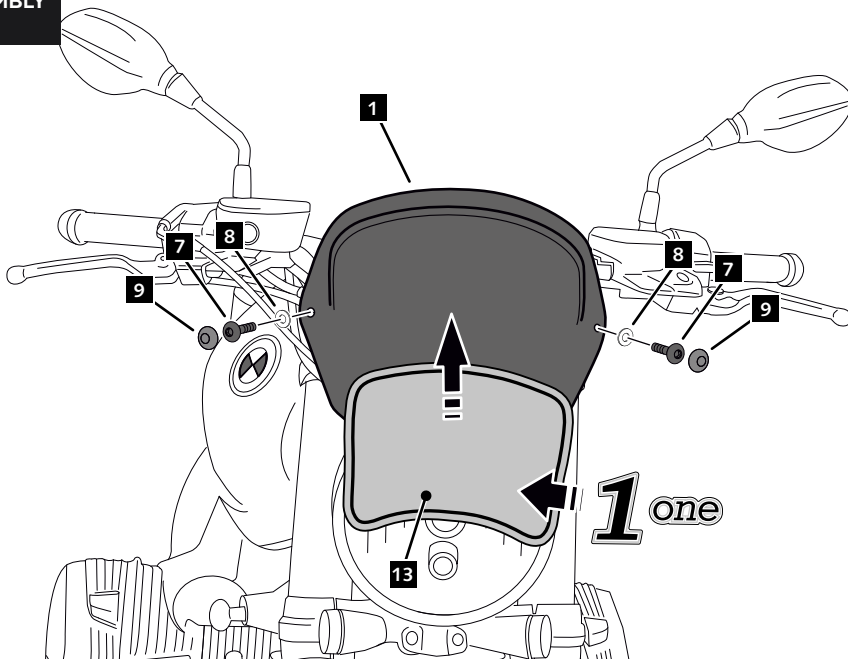
ASSEMBLY



ALUMINUM

6

ASSEMBLY



ABS

ID13 ONLY SUPPLIED WITH ABS FRONT PLATE