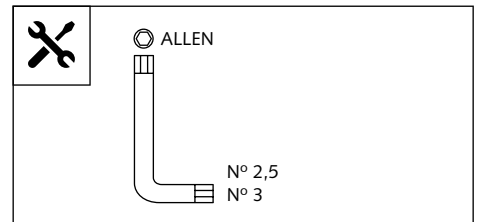


SCREEN FOR YAMAHA MT-07 TRACER

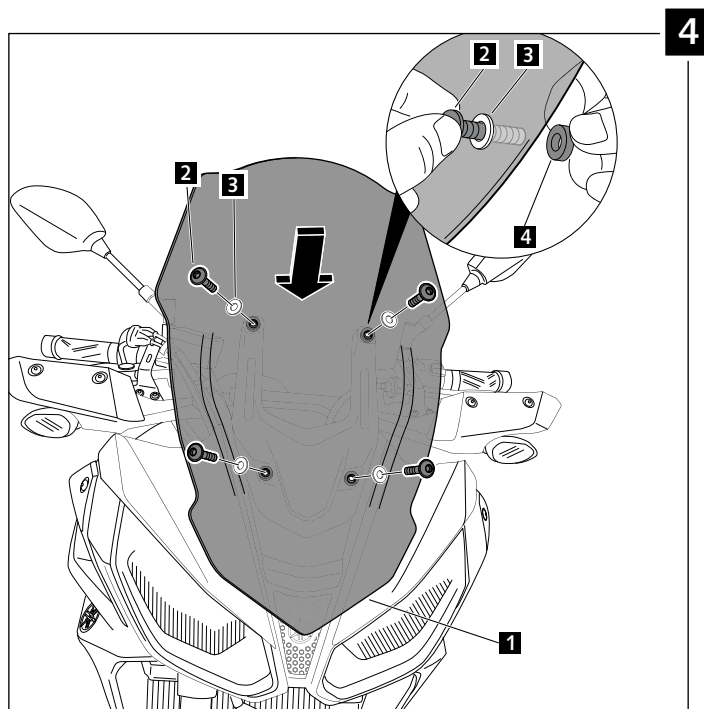
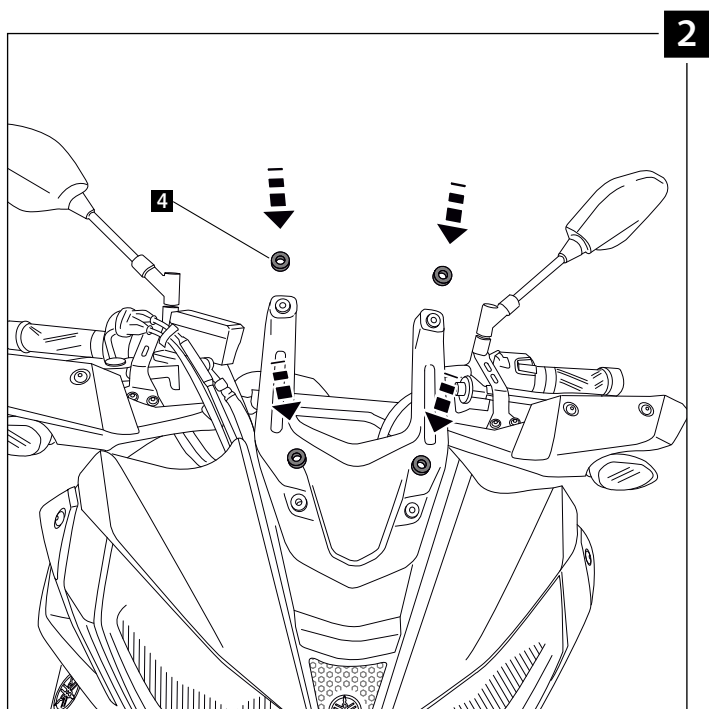
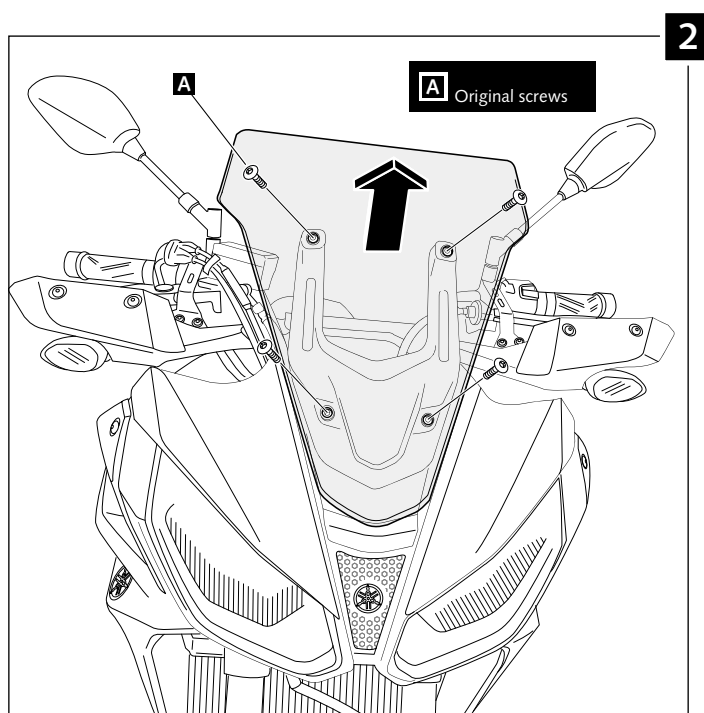
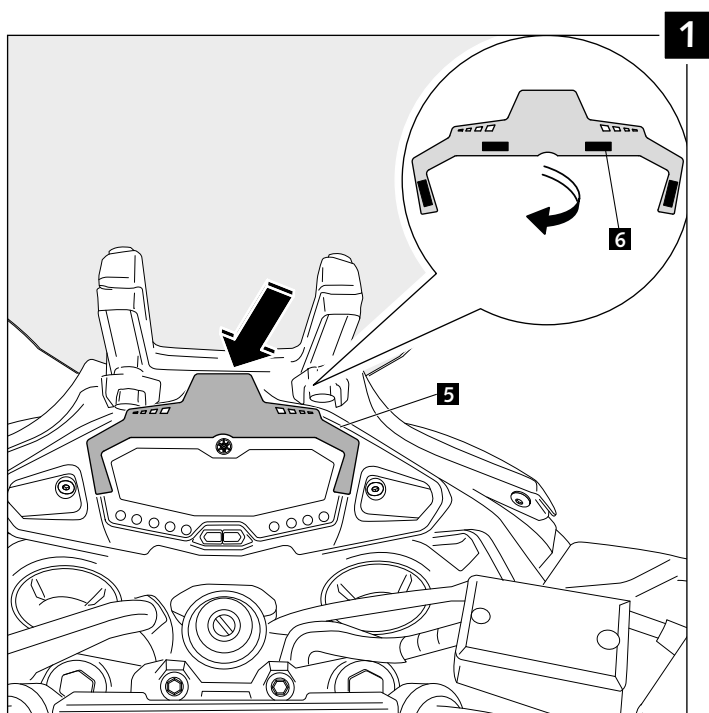
Ref.: 9212



ID.	PART	DESCRIPTION	QTY.	REF.:
1		Touring Screen	1	9212FHNWM3
2		M5x20 Ø9,5 ISO7380 allen screw wing wide	4	TORNI-I7380-730
3		M5x1 nylon washer	4	ARNV00000000245
4		Ø Int.4 Ø Ext.14 x 4 rubber washer	4	ARAND-GD13D5X4-
5		Metal visor (Visor to avoid magnifying glass effect)	1	VISERA1P-4-9212
6		Adhesive strips 2 units 18mm x 7mm	2	ADHESI-TDCE-179

- SCREEN FOR -
YAMAHA MT-07 TRACER

- MOUNTING INSTRUCTIONS -



MULTI-ADJUSTABLE VISOR



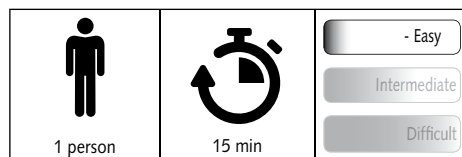
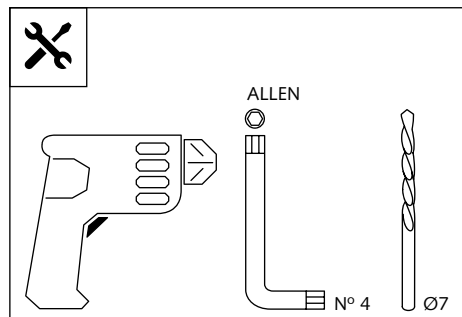
Ref.: 6007

Ref.: 5852

Ref.: 5853

Smoke

Clear



Nota/Note:

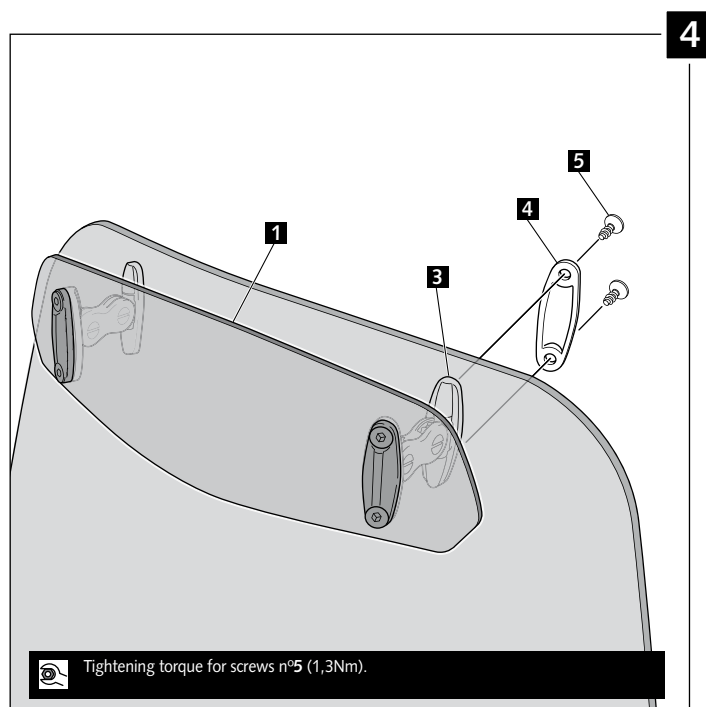
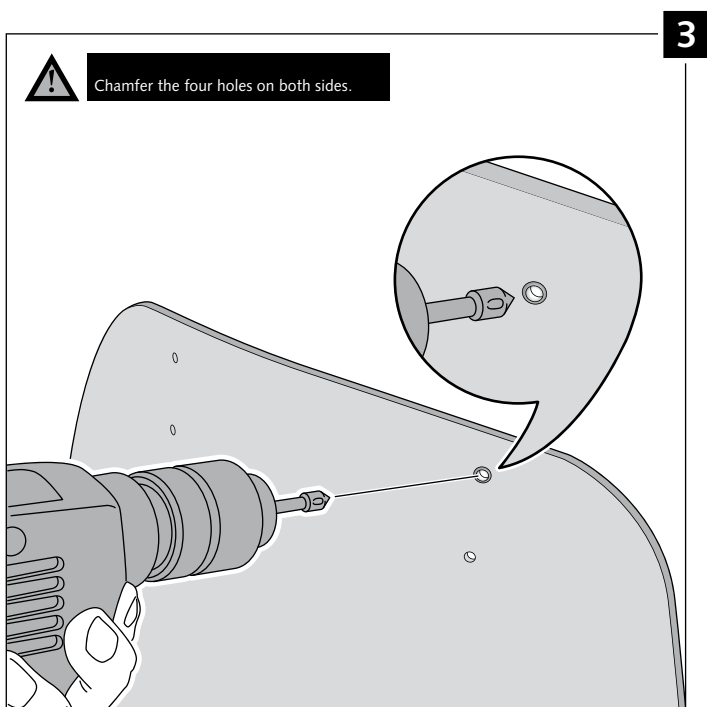
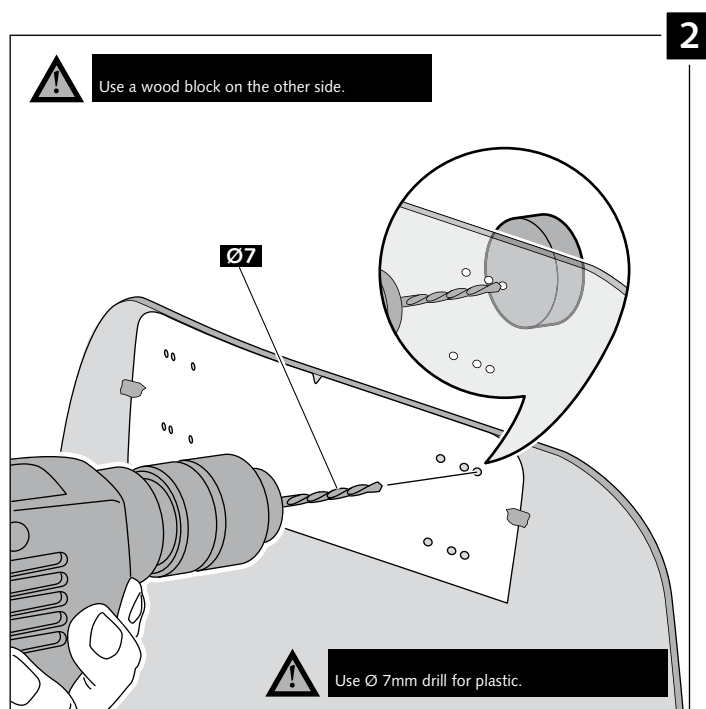
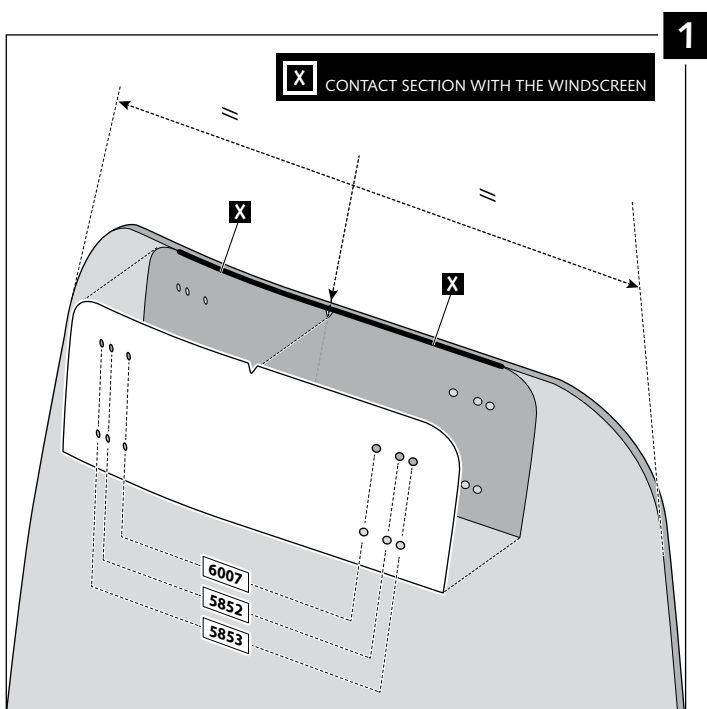
If the visor is supplied along with the windscreen, the windscreen will come factory-drilled so no drilling is necessary.

ID.	PART	DESCRIPTION	QTY.
1		Visor	1
2		Template	1
3		Multi-adjustable mechanism	2
4		Cap	4
5		Plastic thread fastener M6x12	8

MULTI-ADJUSTABLE VISOR

- MOUNTING INSTRUCTIONS -

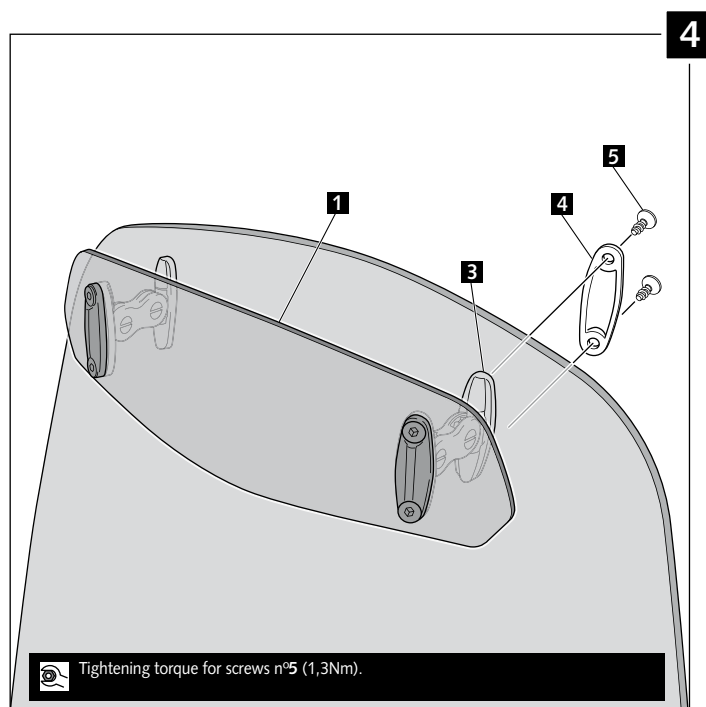
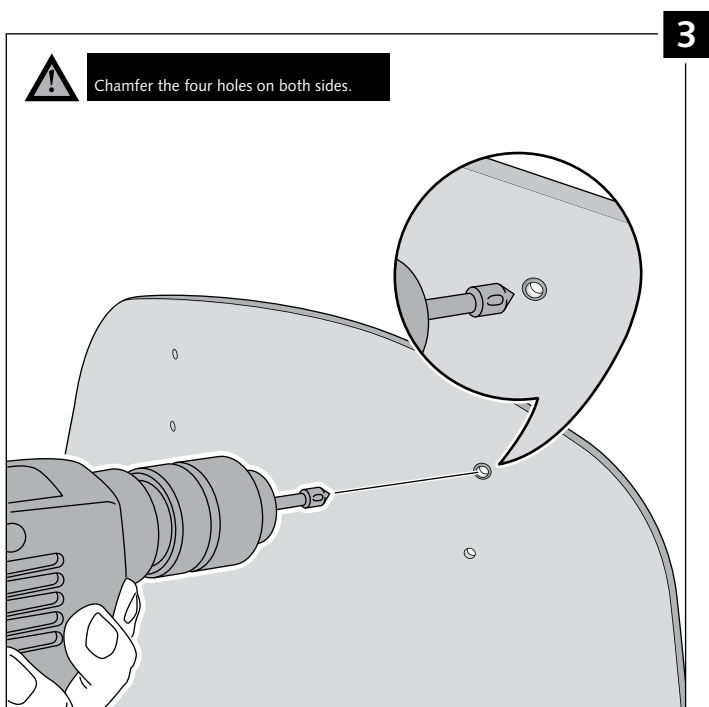
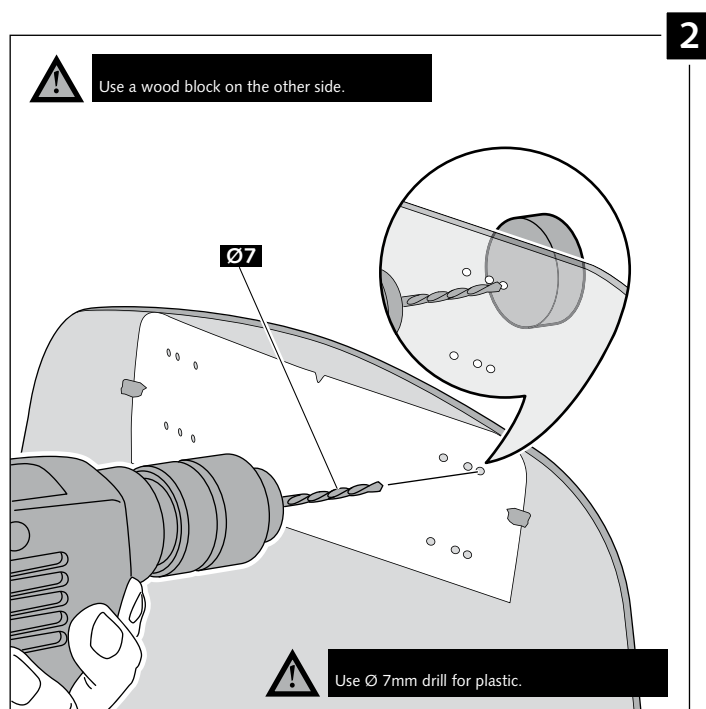
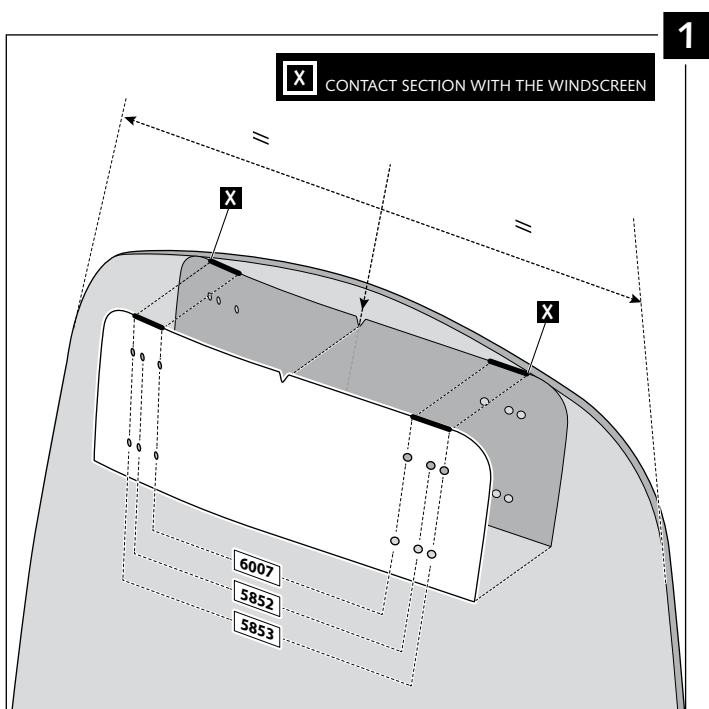
TYPE A



MULTI-ADJUSTABLE VISOR

- MOUNTING INSTRUCTIONS -

- TYPE B



MULTI-ADJUSTABLE VISOR

- MOUNTING INSTRUCTIONS -

TYPE C

