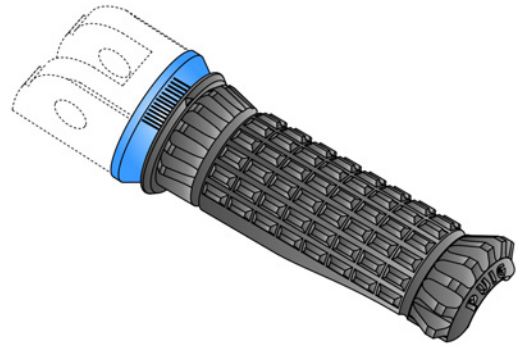
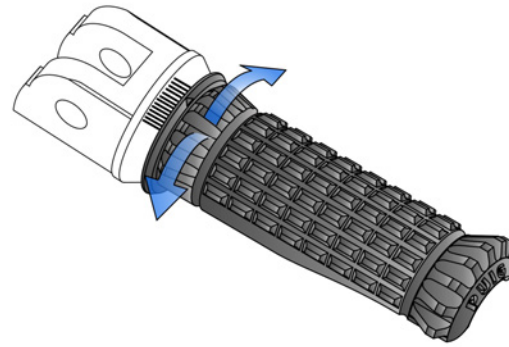


TECHNICAL FEATURES



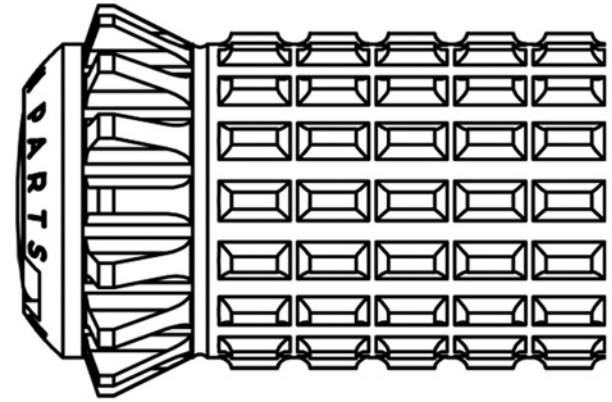
PRECISION:

They incorporate marks for a correct regulation



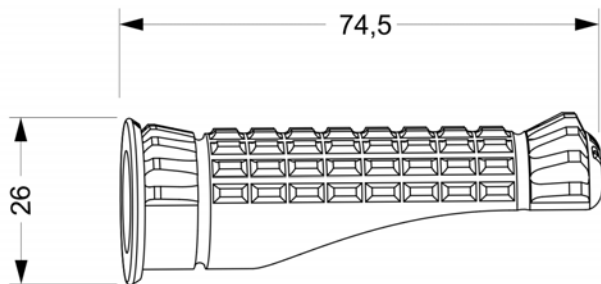
REGULATION:

In inclination



DESIGN:

Rubber base to reduce vibrations



MEASUREMENTS:

74,5x26mm



Check the ABE HOMOLOGATION document if the product is homologated for your motorcycle



WEIGHT