

HONDA CRF1000L AFRICA TWIN 16' - Cúpula Touring

Puig
Hi-Tech Parts

Max. protection +170mm (+6,69in)



9156F

9156H

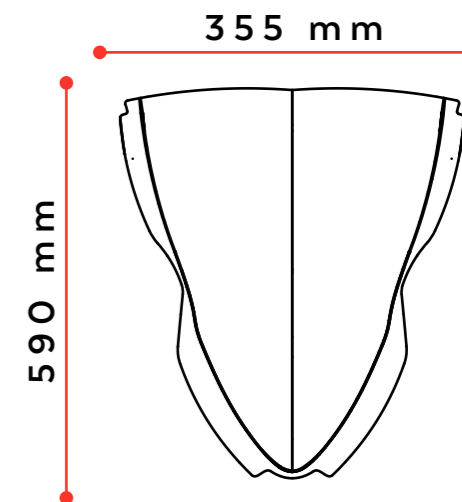
OEM



8905F +10 mm/+0,39 in

9156F +85 mm/+3,35 in

OEM



HONDA CBR1000L AFRICA TWIN 16-

Since 1964
Puig
Hi-Tech Parts

◀◀◀ Difference with OEM +30mm (1^{1/5}" ▶▶▶

◀◀◀ Height difference -50mm (2" ▶▶▶

SPORT screen



SPORT+SUPPORTS 9155F

RACING 8904F

OEM



8904F -135 mm/-5,31 in

9155F -60 mm/-2,36 in

OEM

