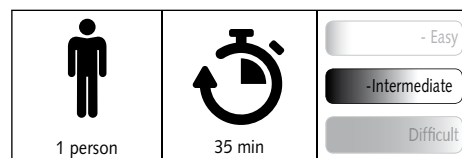
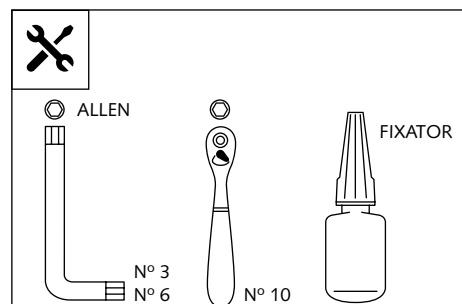


- HANDPROTECTORS FOR - KAWASAKI VERSYS 650-1000 '15-



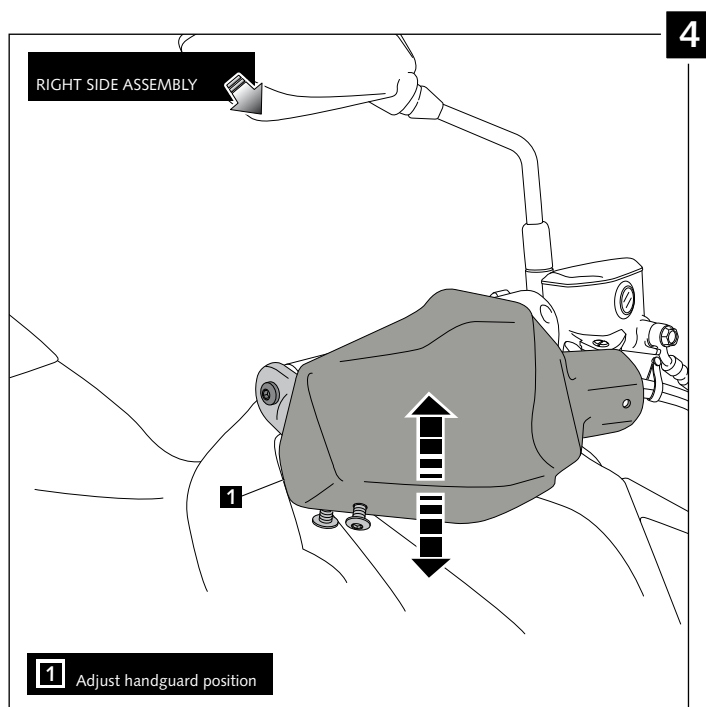
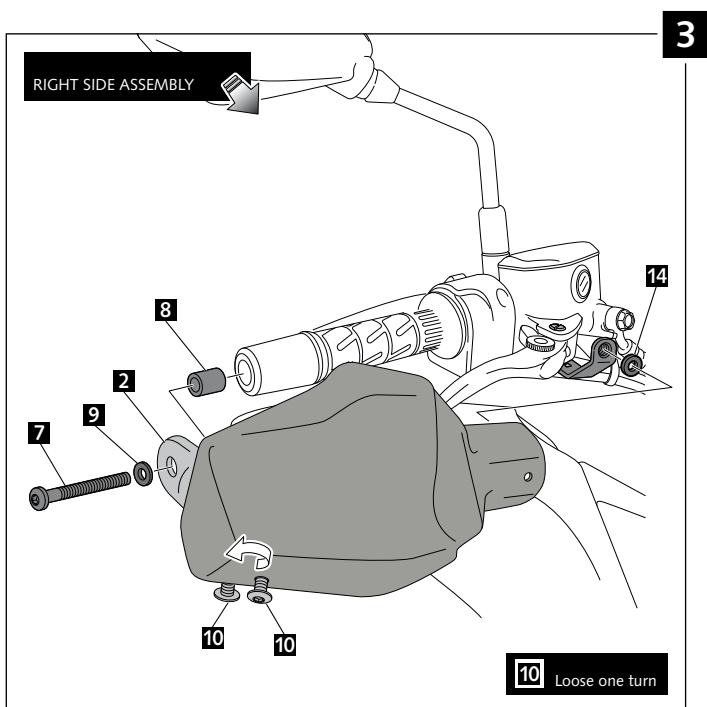
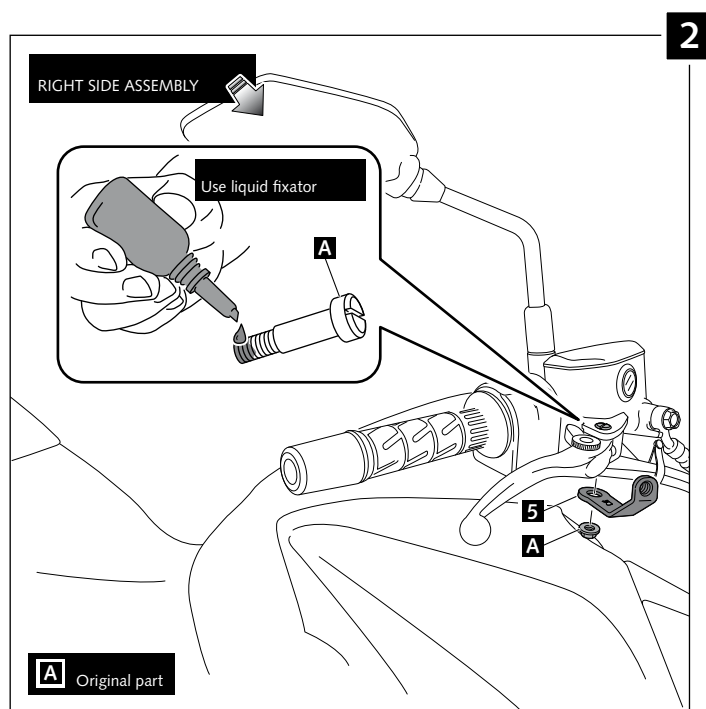
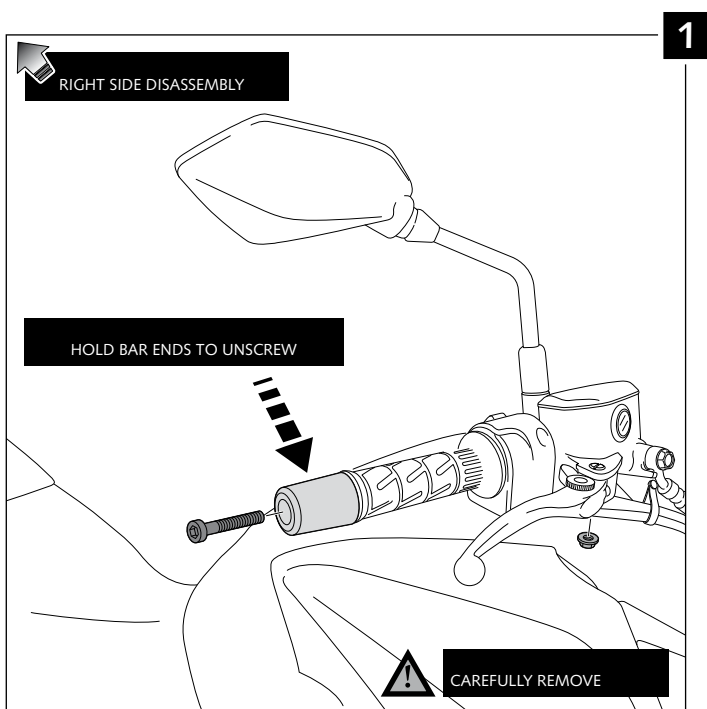
Ref.: 8951



ID.	PART	DESCRIPTION	QTY.
1		Right handguard	1
2		Ø8.2 right handlebar anchoring part (supplied mounted with handguard)	1
3		Left handguard	1
4		Ø8.2 left handlebar anchoring part (supplied mounted with handguard)	1
5		Right metal support (R)	1
6		Left metal support (L)	1
7		M8x60 ISO 7380 Allen screw	2
8		Øouter 14x Øinner 8,5x22mm Arrowhead	2
9		M8 DIN125 metallic washer	2
10		M5x11 Ø11 ISO 7380 Allen screw (supplied already mounted with 1-2-3-4)	4
11		M5x16 Ø11 ISO 7380 Allen screw	2
12		M5x1 Nylon washer (supplied already mounted with 1-2-3-4)	6
13		Øinner 4,5 x Øouter 11x2mm Rubber washer (supplied already mounted with 1-2-3-4)	4
14		Øinner 4,5 x Øouter 14x4mm Rubber washer	2
15		M5 Special nut (supplied already mounted with 1-2-3-4)	4
16		M5 ISO 7380 Allen screw cap	6
17		Stickers set	1

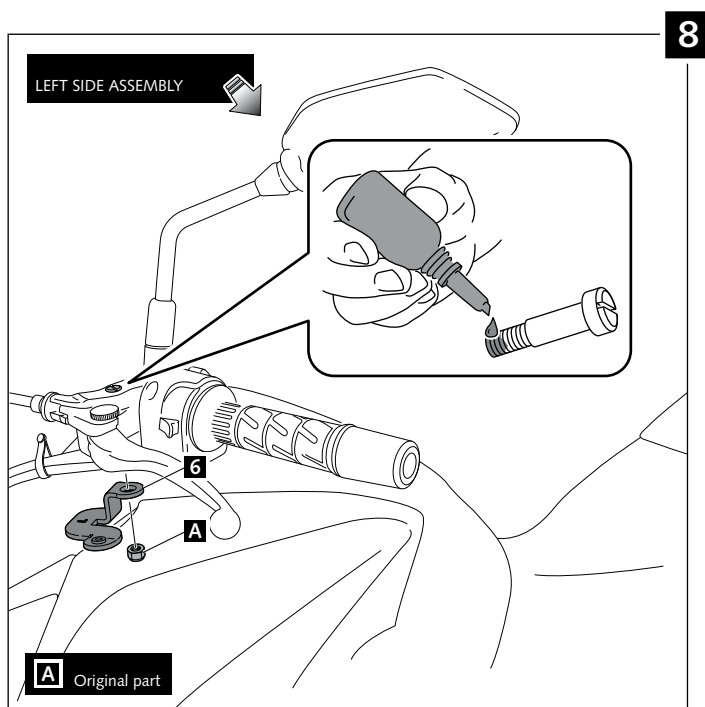
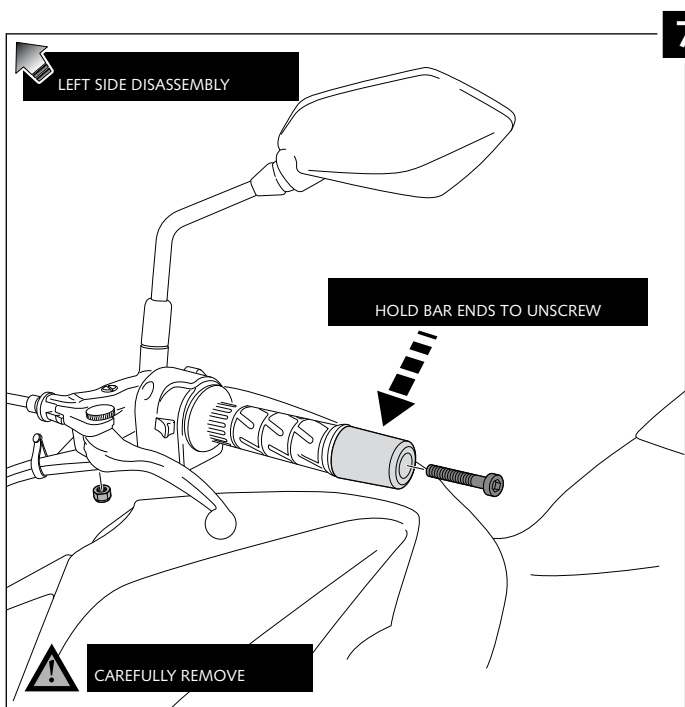
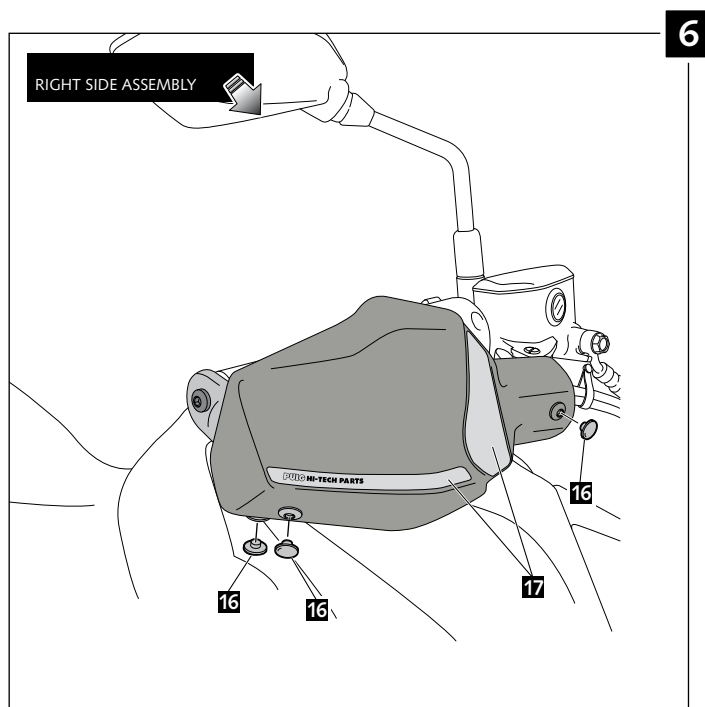
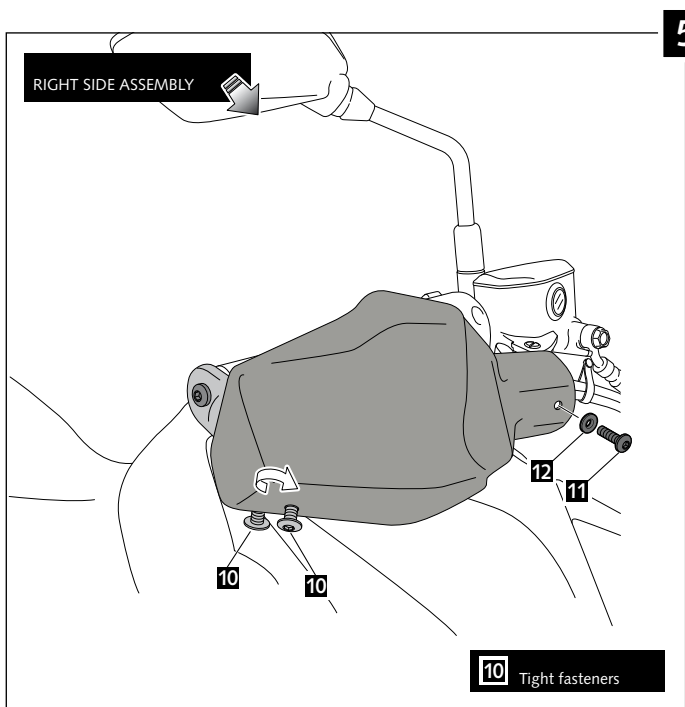
- HANDPROTECTORS FOR - KAWASAKI VERSYS 650-1000 '15-

- MOUNTING INSTRUCTIONS -



- HANDPROTECTORS FOR - KAWASAKI VERSYS 650-1000 '15-

- MOUNTING INSTRUCTIONS -



- HANDPROTECTORS FOR - KAWASAKI VERSYS 650-1000 '15-

- MOUNTING INSTRUCTIONS -

