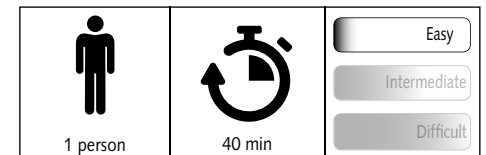


- HANDPROTECTORS FOR DUCATI SCRAMBLER (SIN EMBRAGUE HIDRÁULICO/WITHOUT HYDRAULIC CLUTCH)



Ref.: 8949



ID	PART	DESCRIPTION	QTY	REF.
1		Right handguard	1	8949JM3
2		Ø6.5 right handlebar anchoring part (supplied mounted with handguard)	1	8949JM3
3		Left handguard	1	1 8949JM3
4		Ø6.5 left handlebar anchoring part (supplied mounted with handguard)	1	8949JM3
5		Right metal support (R)	1	SOPOR-2P-2-8949
6		Left metal support (L)	1	SOPOR-2P-2-8949
7		M8X40 ISO7380 Allen screw	1	TORNI-I7380-565
8		M8 locking nut	1	TUEA-D985.8-M8-
9		M5x1 Nylon washer (supplied mounted)	6	ARNV00000000245
10		Ø4,5xØ11,5x2mm Rubber washer (supplied mounted with handguard)	4	ARAND-EPDM--722
11		Ø4,5xØ14x4mm Rubber washer	4	ARAND-GD13D5X4-
12		M6X40 DIN7991 Allen screw	2	TORNIAD7991-377
13		M5X11 Ø11 ISO7380 Allen screw (supplied mounted)	4	TORNI-AI----520
14		Ø30 x Ø6 plastic washer	2	ARAND-PN6X30-67
15		M5 ISO 7380 Allen screw cap	6	TAPON_____85
16		Allen screw M5x16 Ø11 ISO 7380	2	TORNI-I7380-493
17		M5 special nut (supplied mounted)	4	TUERC-D6923-255
18		Stikers set	1	ADHESI-----234

HANDPROTECTORS FOR DUCATI SCRAMBLER (WITHOUT HYDRAULIC CLUTCH)

- MOUNTING INSTRUCTIONS -

<p>1.1</p> <p>DO NOT SURPASS THE PLASTIC ITEM</p>	<p>1.2</p> <p>PRESS THE BOLT TO UNBLOCK THE BAR END</p>	<p>RIGHT SIDE DISASSEMBLY</p> <p>1</p>
<p>1.3</p>	<p>1.4</p>	

RIGHT SIDE ASSEMBLY

A Original parts

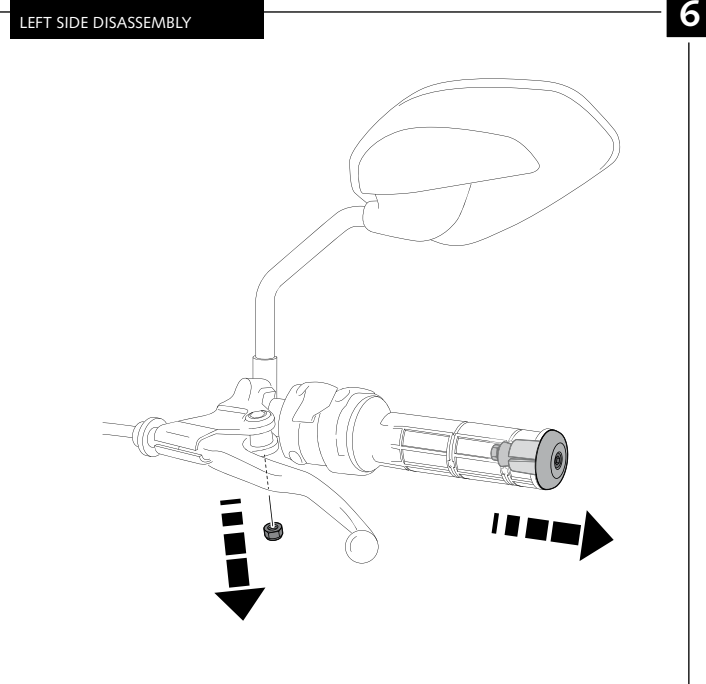
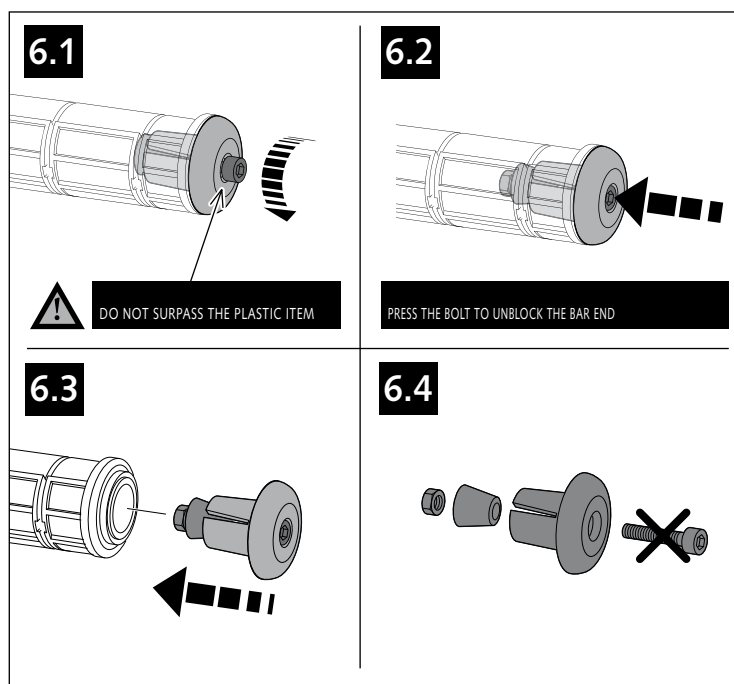
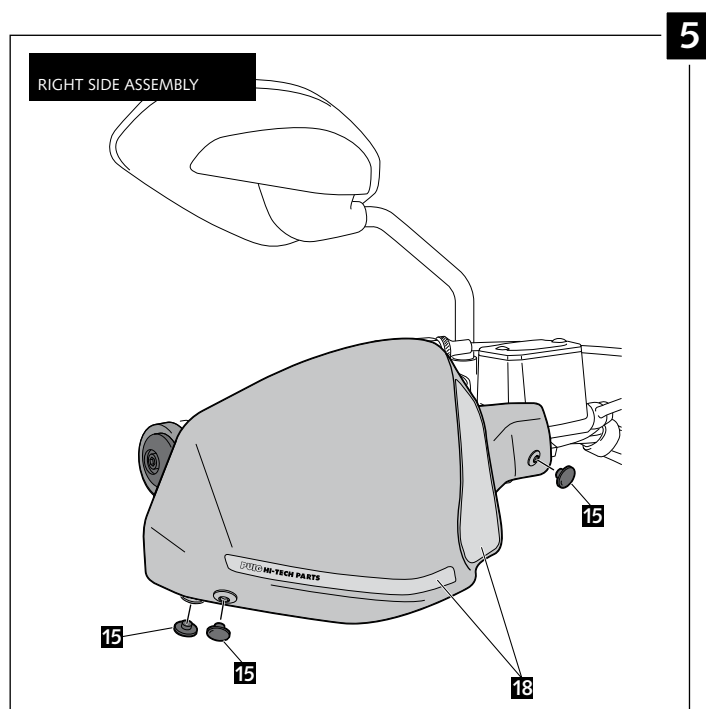
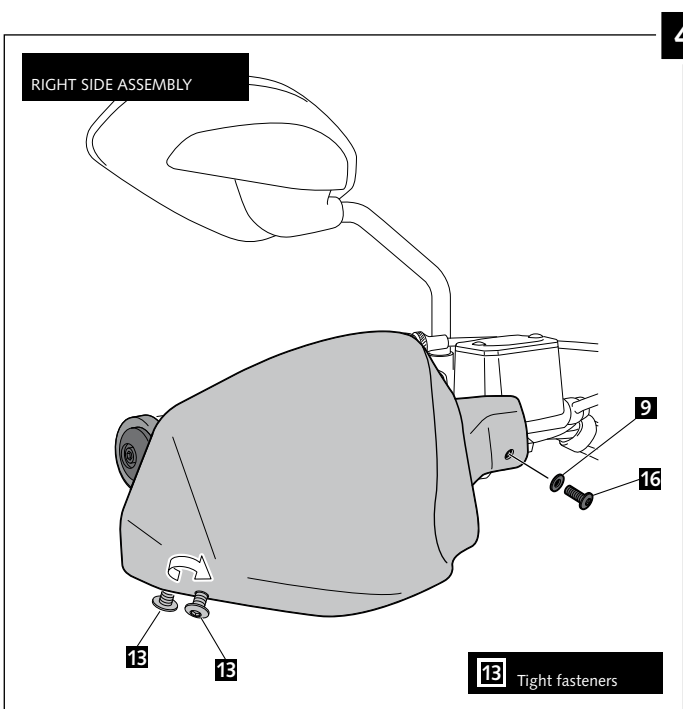
13 Loose one turn

RIGHT SIDE ASSEMBLY

1 Adjust handguard position

HANDPROTECTORS FOR DUCATI SCRAMBLER (WITHOUT HYDRAULIC CLUTCH)

- MOUNTING INSTRUCTIONS -



HANDPROTECTORS FOR DUCATI SCRAMBLER (WITHOUT HYDRAULIC CLUTCH)

- MOUNTING INSTRUCTIONS -

