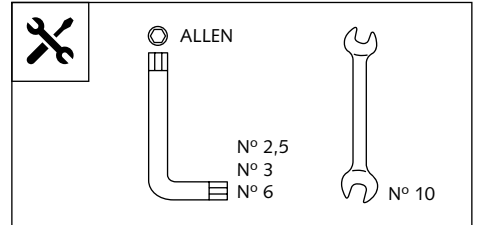


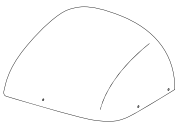
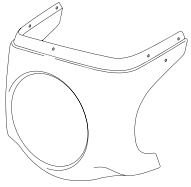
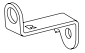
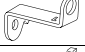








RETRO WINDSCREEN FOR YAMAHA XSR900



Ref.: 8934
black colour

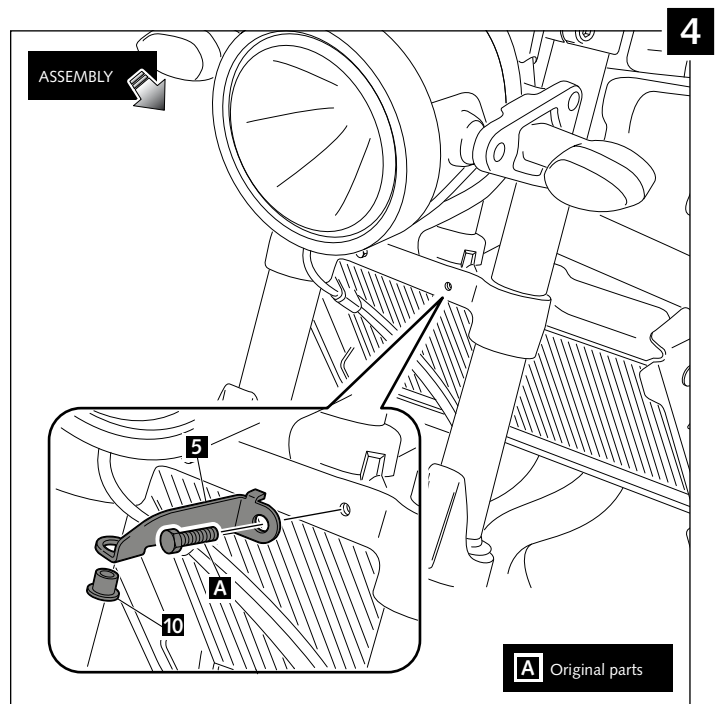
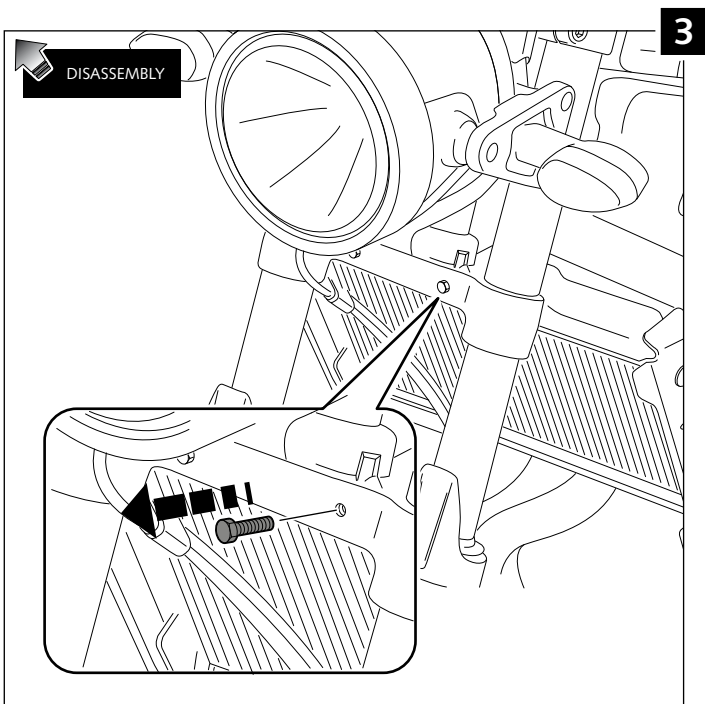
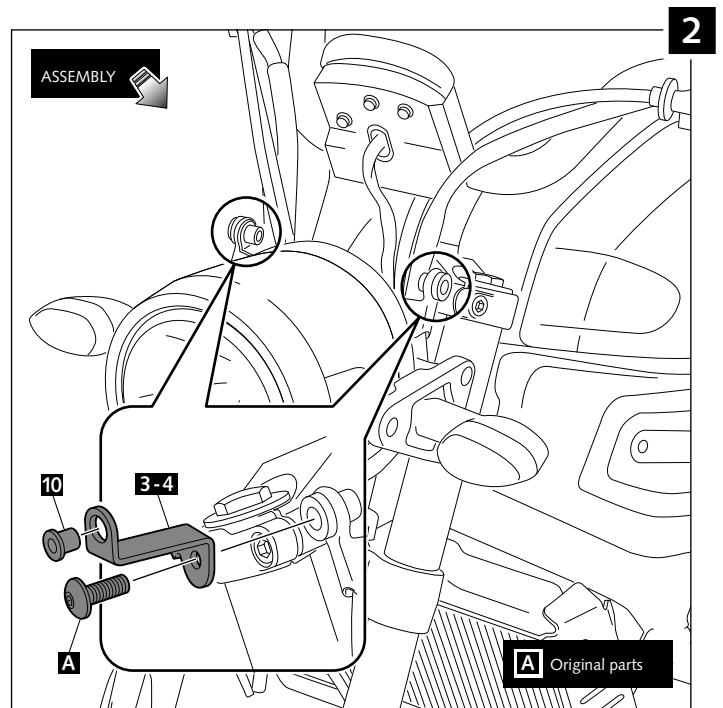
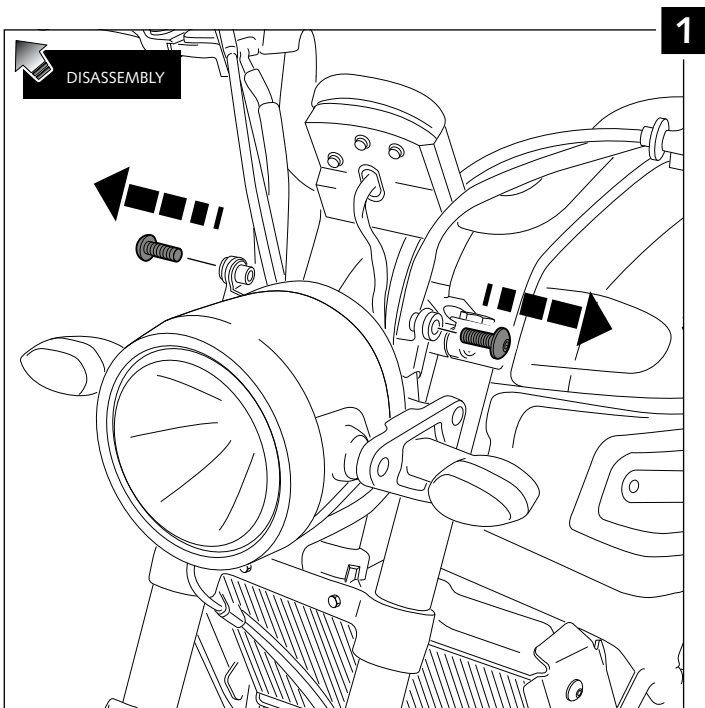
Ref.: 9188
carbon look



ID.	PART	DESCRIPTION	QTY.
1		Screen	1
2		ABS Fairing	1
3		Right metal support	1
4		Left metal support	1
5		Lower metal support	1
6		M4x16 ISO 7380 Allen screw	5
7		Silentblock M4	5
8		M4x0,5 Nylon washer	5
9		M5x16 ISO 7380 Allen screw	3
10		Silentblock M5	3
11		M5x1 Nylon washer	3
12		Stikers set	1

RETRO WINDSCREEN FOR YAMAHA XSR900

MOUNTING INSTRUCTIONS



RETRO WINDSCREEN FOR YAMAHA XSR900

MOUNTING INSTRUCTIONS

