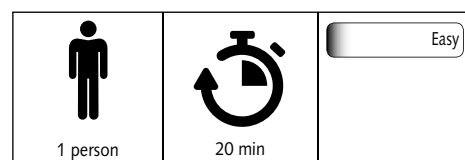
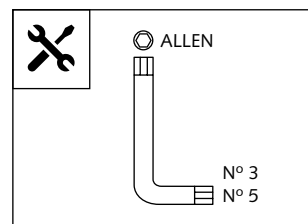
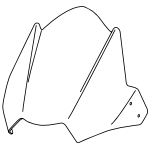








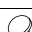
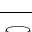


SCREEN FOR TRIUMPH SPEED TRIPLE '16 - STREET TRIPLE R/RS '17 -

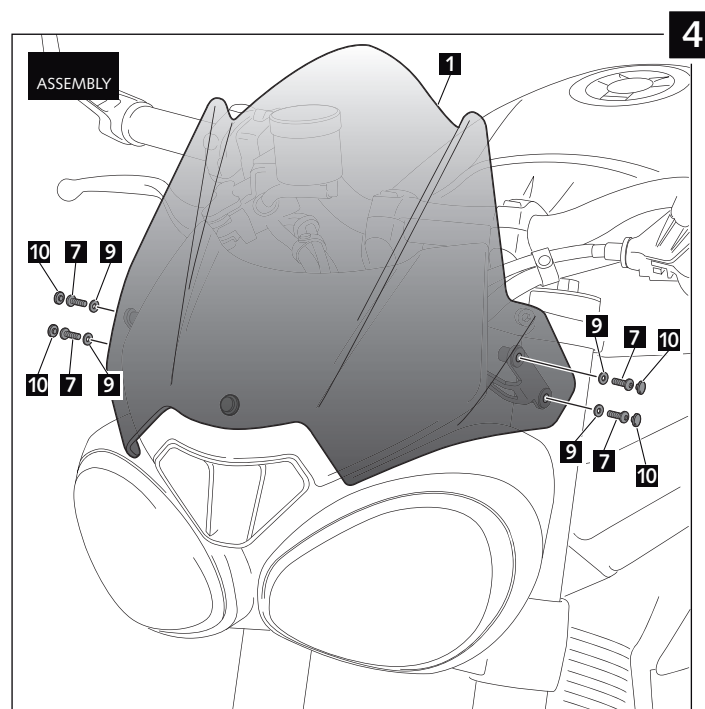
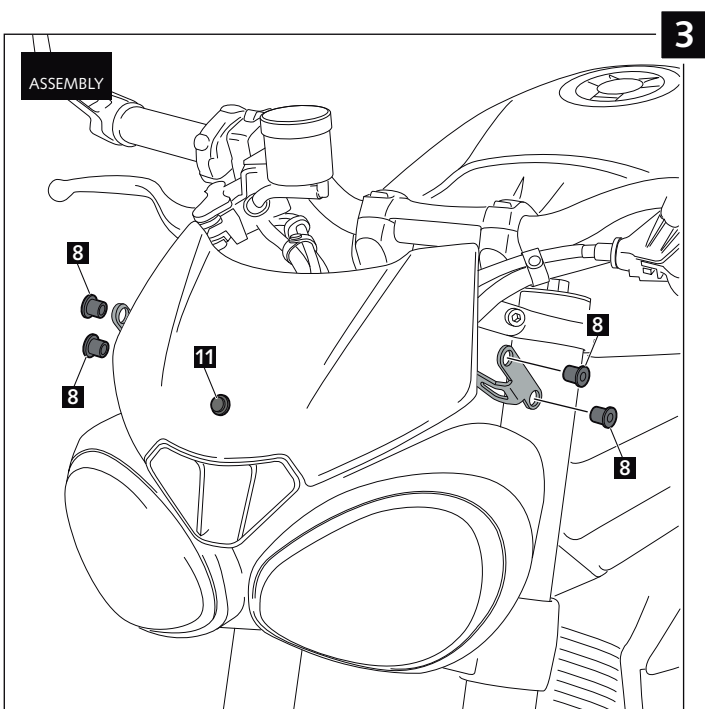
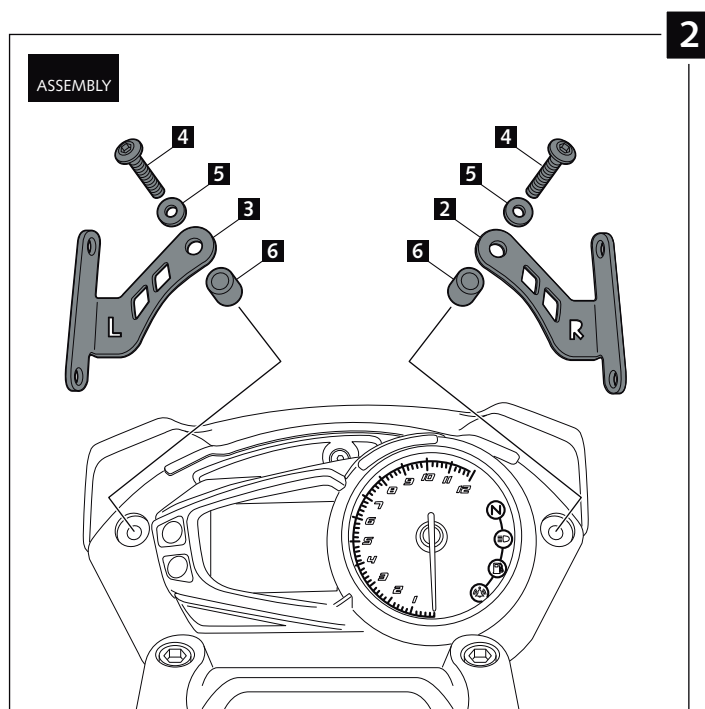
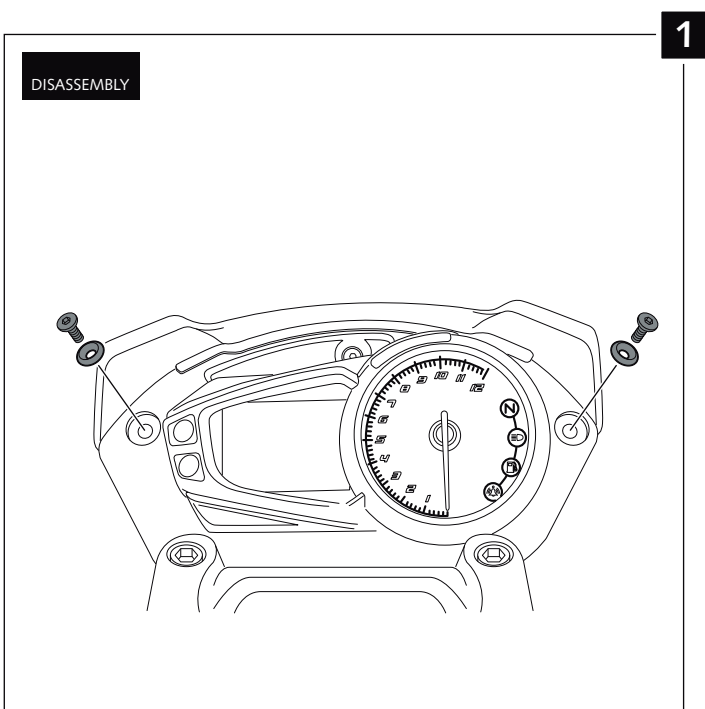
Ref.: 8929



ID	PIEZA / PART	DESCRIPTION	QTY	REF.
1		Screen	1	8929C/F/H/N/R/WM3
2		Right metal support	1	SOPOR-2P-2-8929
3		Left metal support	1	SOPOR-2P-2-8929
4		M5X35 Ø9 ISO 7380 Allen screw	2	TORNI-I7380-499
5		Ø6,5 x Ø15 x 1 metallic washer	2	ARANPLADIN125M5
6		Ø8,5 x Ø14 x 15 Arrowhead	2	CASQUI81415-101
7		M5X16 ISO 7380 Allen screw	4	TORNI-I7380-493
8		M5 Silentblock	4	SILENTBTM5-046/1
9		M5x1 nylon washer	4	ARNV00000000245
10		M5 ISO 7380 screw cap	4	TAPON-----85
11		Ø16x8 silicon spacer	1	TOPE-PA-16DX8—

SCREEN FOR
**TRIUMPH SPEED TRIPLE '16 -
 STREET TRIPLE R/RS '17 -**

MOUNTING INSTRUCTIONS



TIPS FOR A CORRECT WINDSCREEN ASSEMBLY

Due to storage and transport processes of the windscreens, which are subjected to positions and temperature changes out of our control, this may produce small deformations on the material causing some difficulties on the mounting process. It is recommended to:

- 1- Place the screws on one side without tighten all the way.
- 2- Stretch the windscreen to the other side (see Fig. 1). The flexibility of the material allows this stretch with no risk of breaking or cracking.
- 3- Place the screws without tightening all the way.
- 4- Tighten progressively all the screws.

