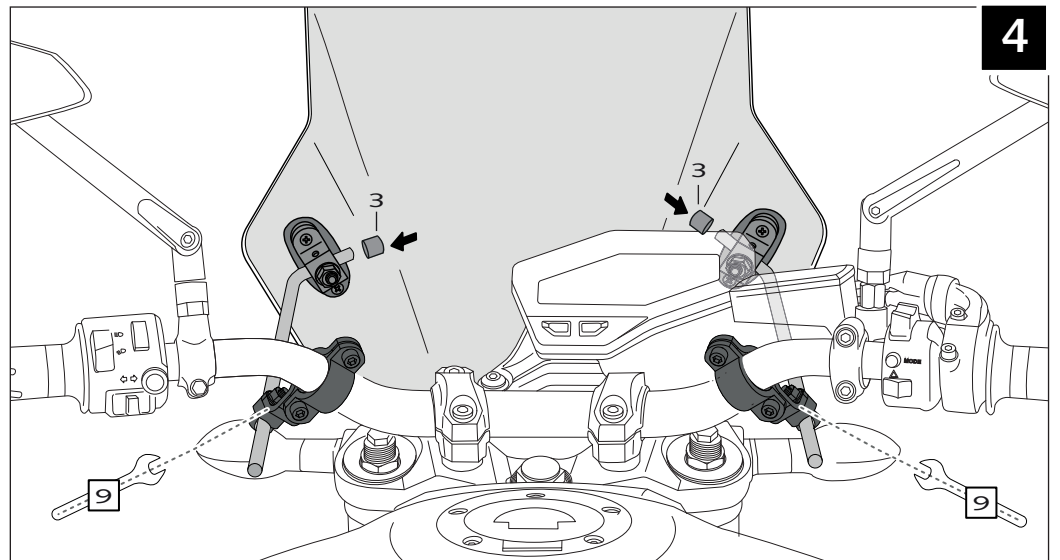
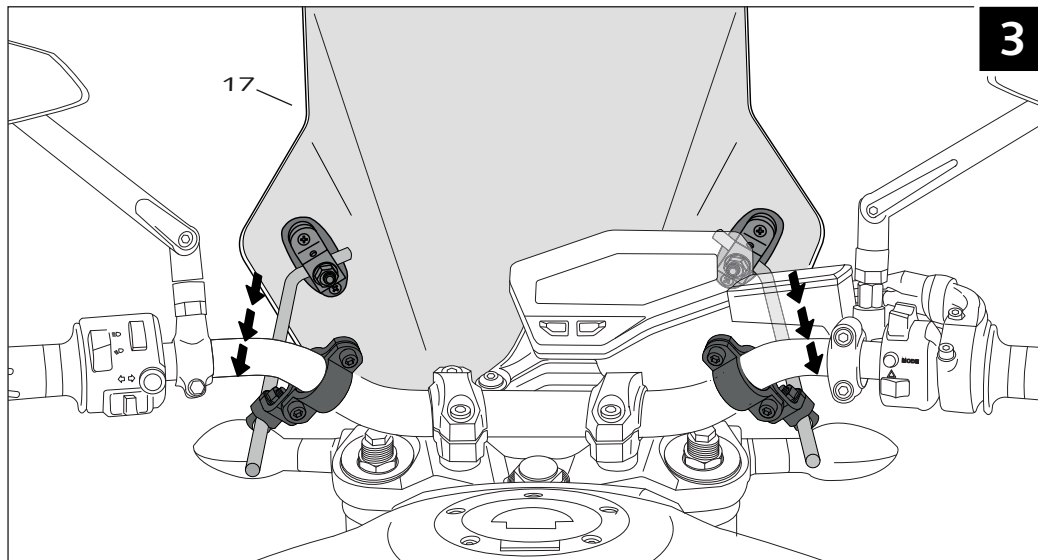
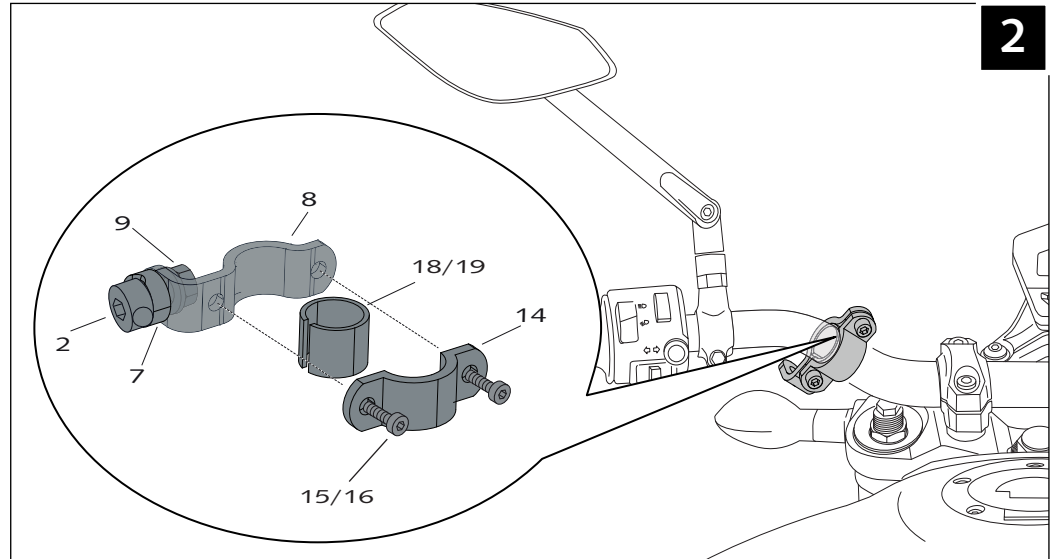
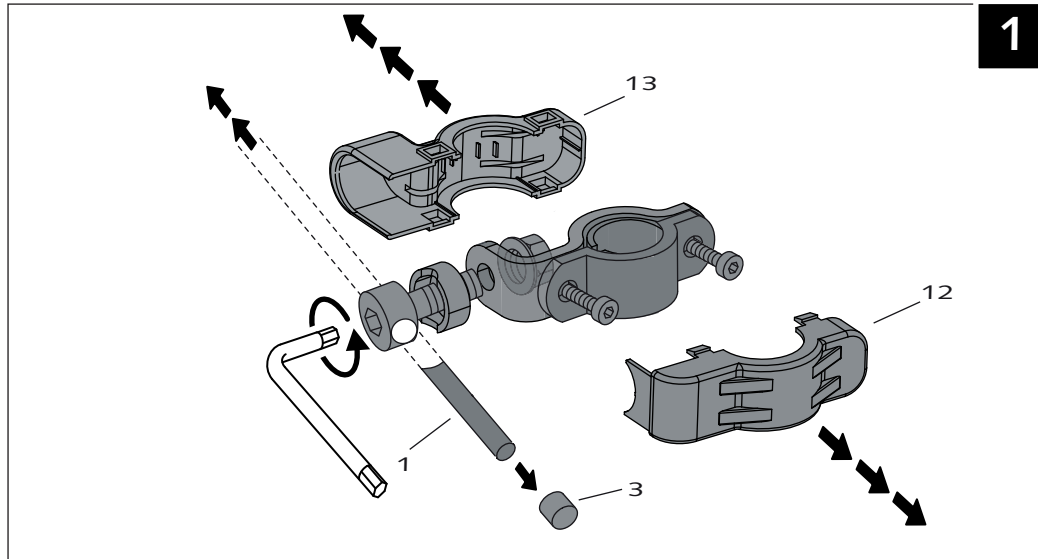


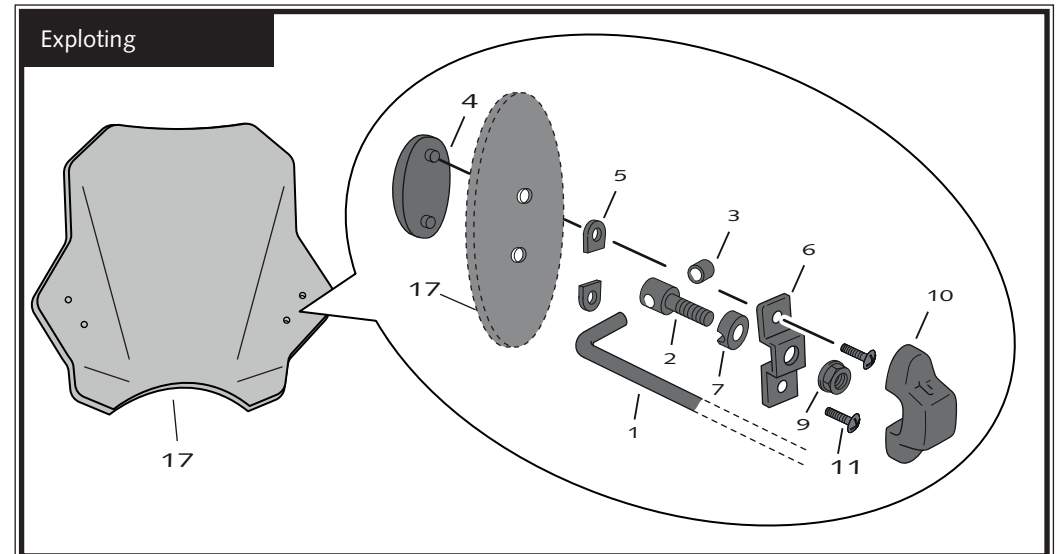
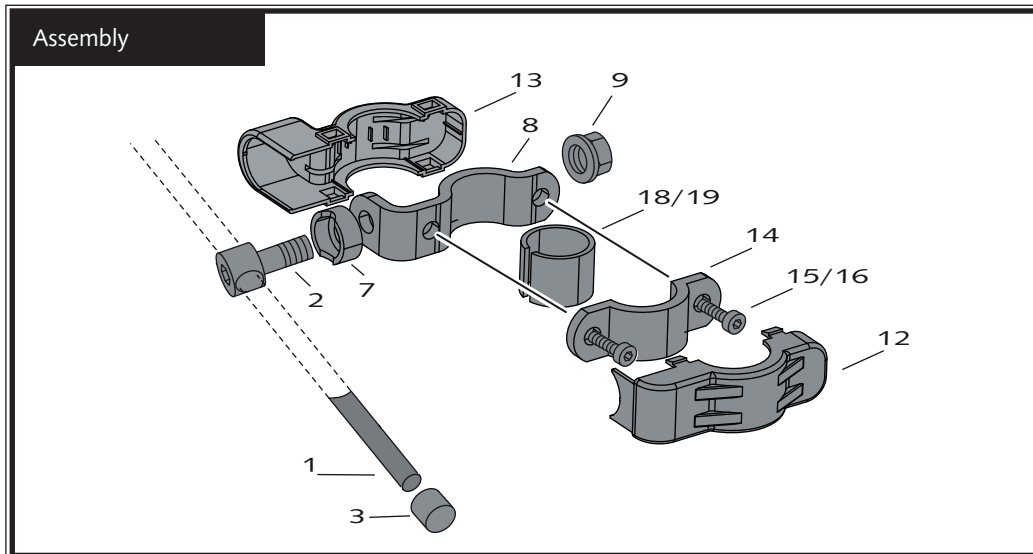
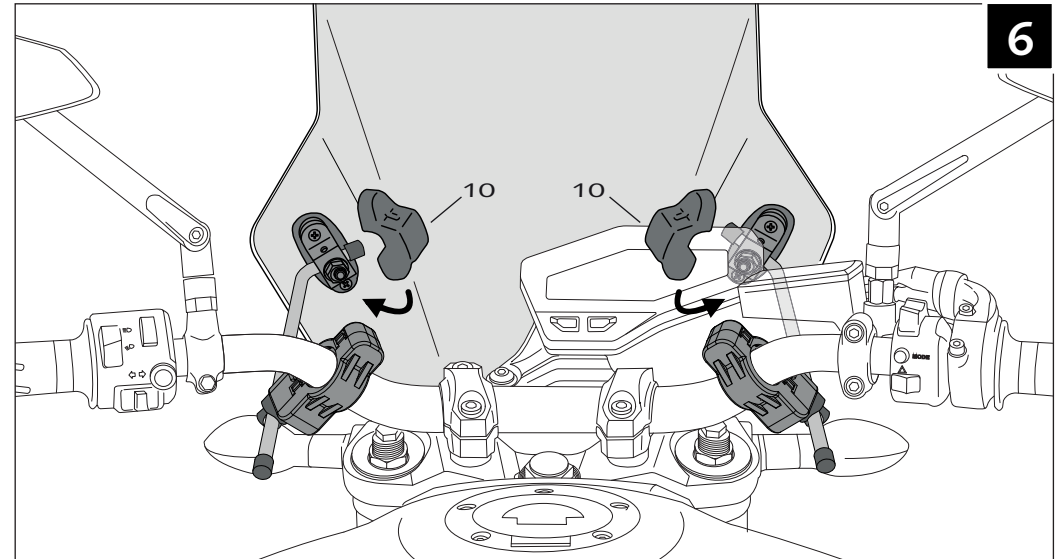
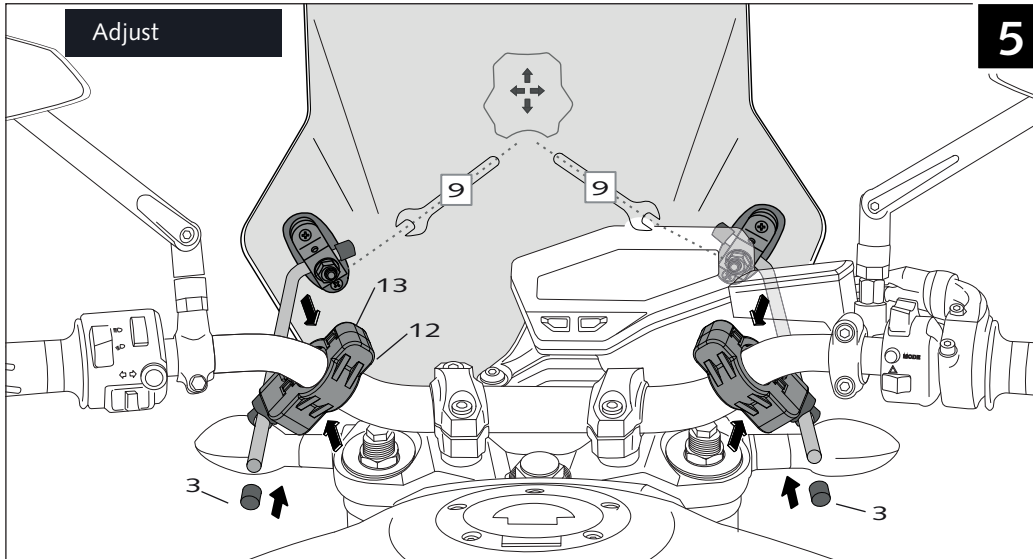
UNIVERSAL TOURING SCREEN Ref.: 8088



ID.	PART	DESCRIPTION	QTY.
1		Ø9x200 bar	2
2		Screw with drill through M8x30	4
3		Cover plastic to bar	4
4		Plastic support with adhesive	2
5		Separator	4
6		Support	2
7		Special washer	4
8		Large semi-bridle	2
9		DIN 6923 Special M8 nut	4
10		Support Trim n° 6	2
11		Philips screw Ø5x13	4
12		Trim short semi-bridle	2
13		Trim large semi-bridle	2
14		Short semi-bridle	2
15		Allen screw DIN 912 M6x12	4
16		Allen screw DIN 912 M6x16	4
17		Windshield	1
18		Arrowhead applicate the handlebar Ø26	2
19		Arrowhead applicate the handlebar Ø22	2

UNIVERSAL TOURING SCREEN Ref.: 8088





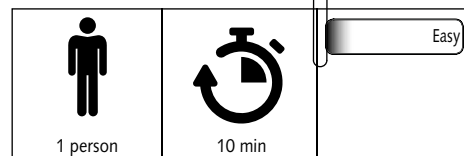
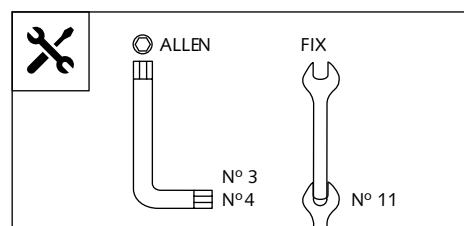


WINDSHIELD FOR SUZUKI SV 650 2016



Ref.: 8926
(Black colour)

Ref.: 8927
(Carbon look)



ID.	PART	DESCRIPTION	QTY.
1		Vision windshield	1
2		Vison screen	1
3		M6 silentblock	7
4		M6x16 ISO7380 allen screw	7
5		M6x1 nylon washer	7
6		M6 ISO7380 screw cap	7
7		Right metal support	1
8		Left metal support	1
9		Stickers set	1

SUZUKI SV 650 2016

