

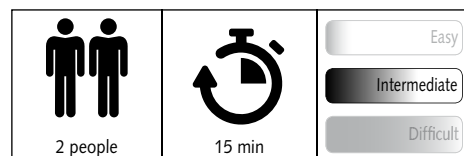
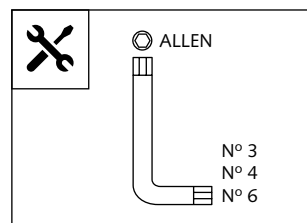
## WINDSHIELD WITH SELF-ADJUSTING INCLINATION SYSTEM DUCATI X-DIAVEL/S



**Ref.: 8921**  
(Mod. SPORT)



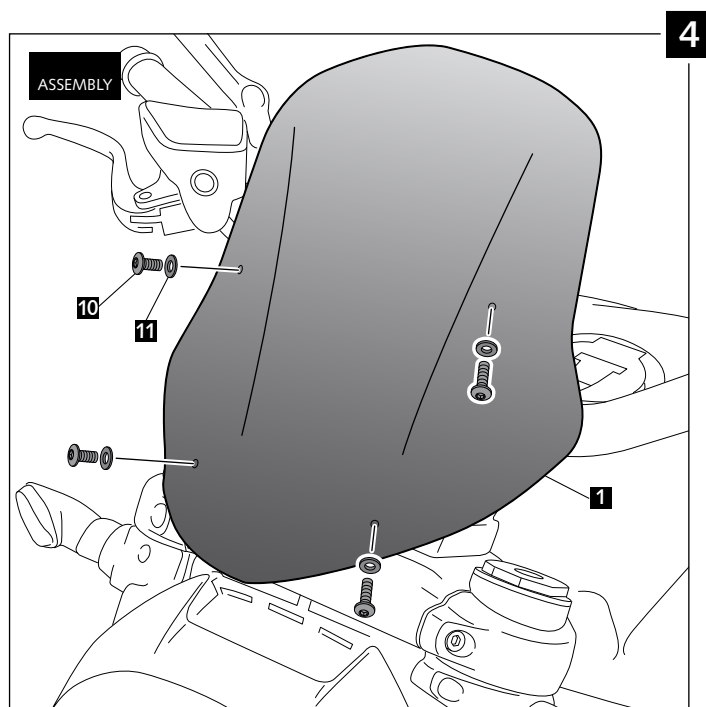
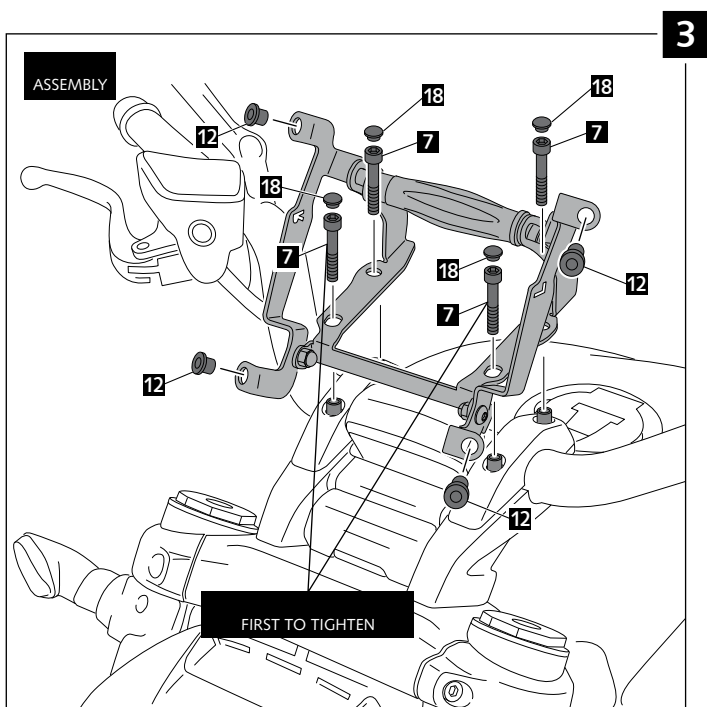
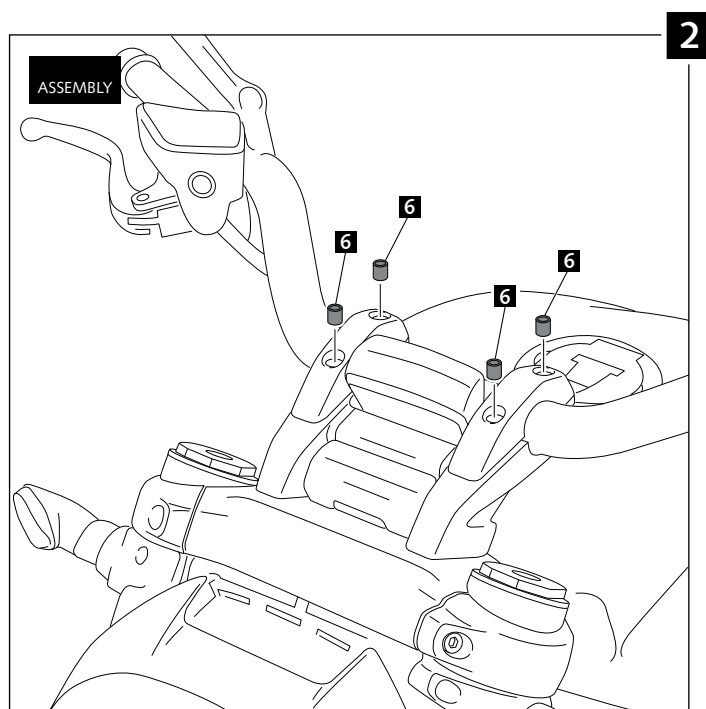
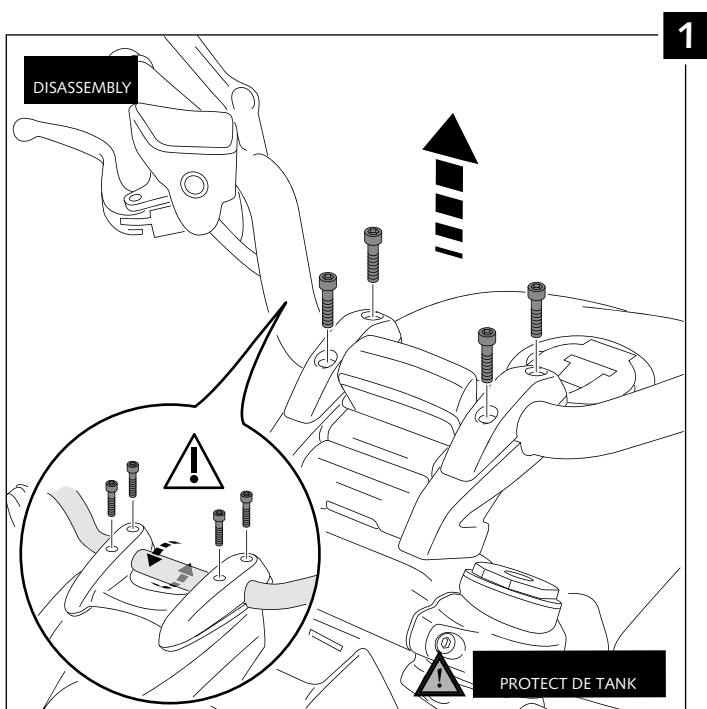
**Ref.: 8922**  
(Mod. TOURING)



ID.	PART	DESCRIPTION	QTY.
1		SPORT screen (8921)	1
		TOURING screen (8922)	
2		Fixed metal support	1
3		Mobile right metal support	1
4		Mobile left metal support	1
5		Locking handle	1
6		Ø int. 8 x Ø ext. 14 x 22 arrowhead (black)	4
7		M8 x 50 DIN 912 (black) Allen screw	4
8		Ø int. 8,5 x Ø ext. 17 x 1,5 rubber washer	2
9		Ø int. 8,5 x Ø ext. 17 x 1,5 (black) metal washer	2
10		M5 x 16 ISO 7380 (black) Allen screw	4
11		M5 x 0,5 nylon washer	4
12		Silentblock M5	4
13		M6 x 10 ISO 7380 (black) Allen screw	2
14		Ø int. 6 x Ø ext. 8 x 5,5 arrowhead	2
15		M6 x 1 nylon washer	2
16		M6 blind nut	2
17		Sticker (served mounted)	1
18		M8 Allen screw cap	4

## WINDSHIELD WITH SELF-ADJUSTING INCLINATION SYSTEM DUCATI X-DIAVEL/S

### MOUNTING INSTRUCTIONS



WINDSHIELD WITH SELF-ADJUSTING INCLINATION SYSTEM  
**DUCATI X-DIAVEL/S**

MOUNTING INSTRUCTIONS

