

## SCREEN FOR YAMAHA MT-10

Ref.: 8918



IS NOT COMPATIBLE WITH THE ORIGINAL YAMAHA HANDGUARD.



ALLEN

PHILLIPS

Nº 3  
Nº 5  
Nº 6



1 person


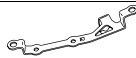
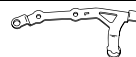






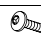


20 min

- Easy

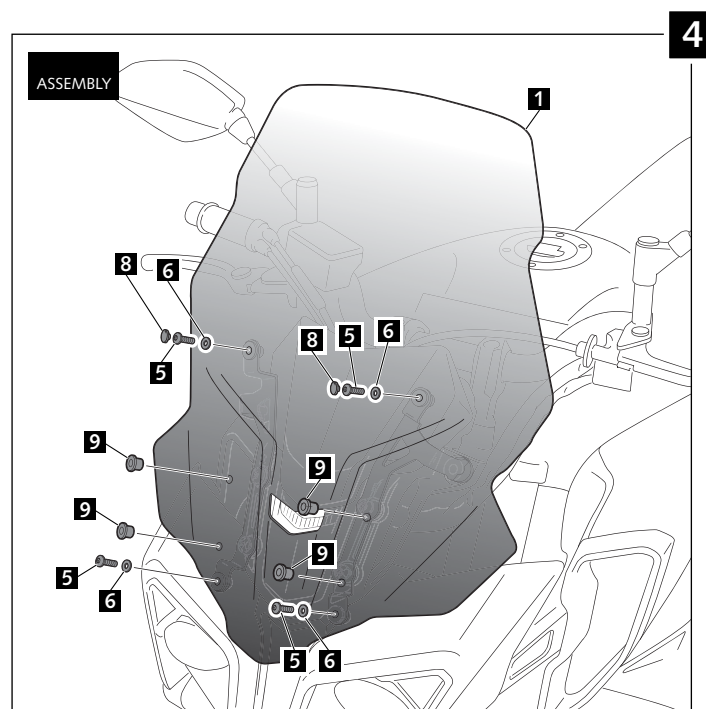
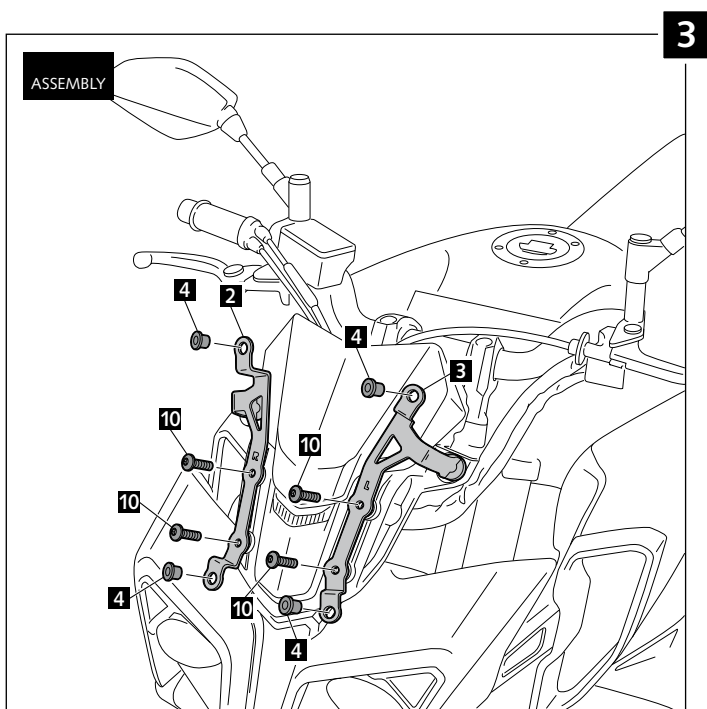
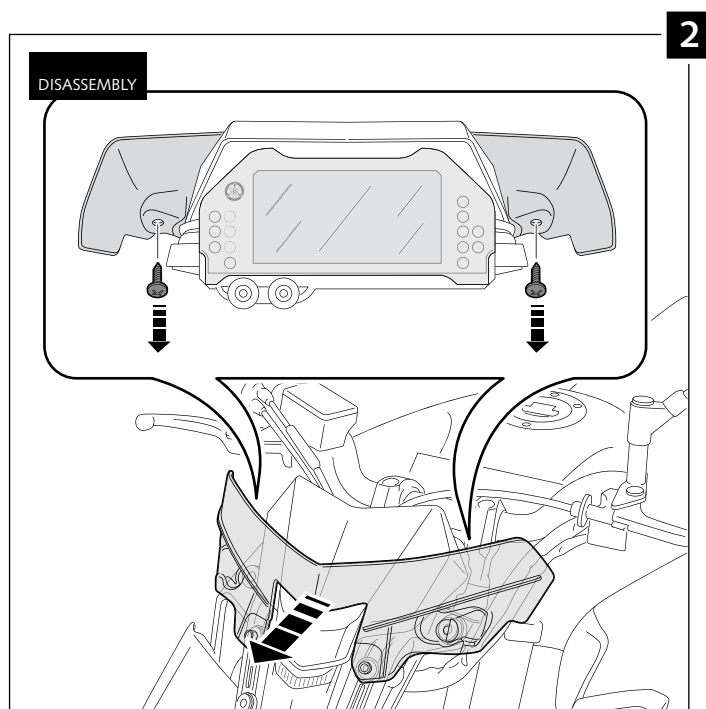
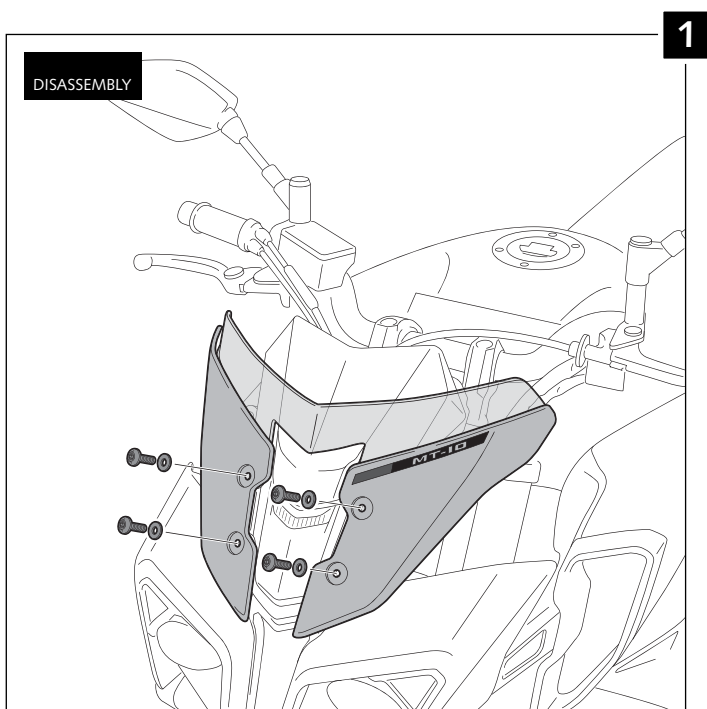
Intermediate

Difficult

ID.	PART	DESCRIPTION	QTY.
1		Touring Screen	1
2		Right metal support	1
3		Left metal support	1
4		M5 Silentblock	4
5		M5X16 Ø11 ISO 7380 Allen screw	4
6		M5x1 nylon washer	4
7		25x10mm hook and loop fastener Dual Lock 3M strip sticker (Supplied mounted)	2
8		M5 ISO 7380 screw cap	2
9		M6 Silentblock	4
10		M6X25 ISO 7380 Allen screw	4

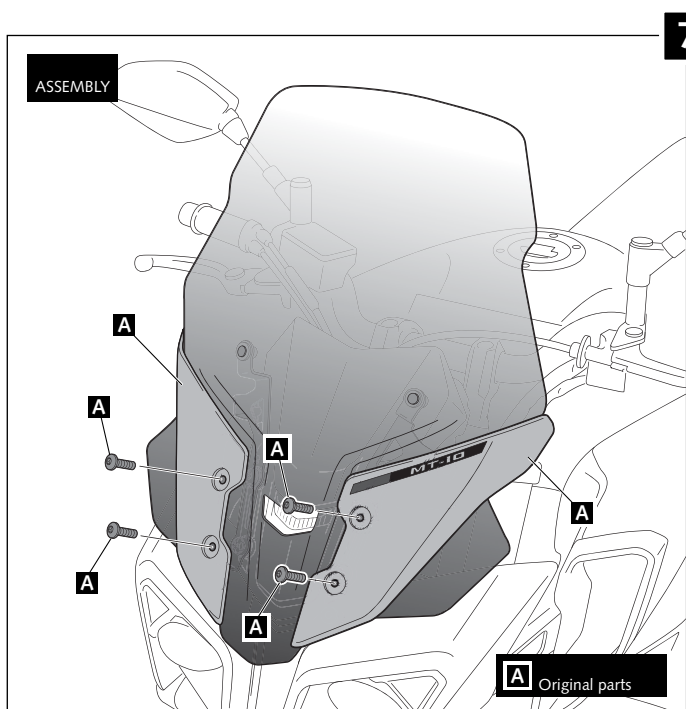
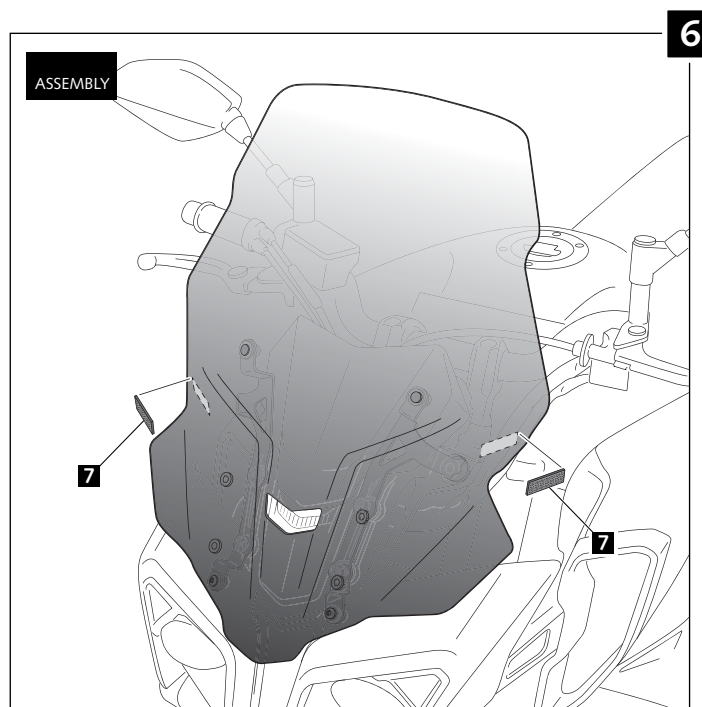
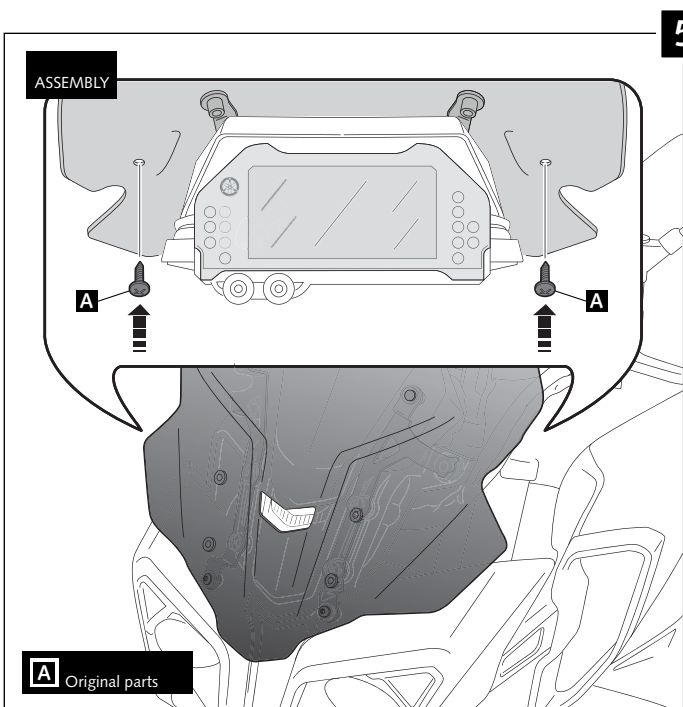
- SCREEN FOR -  
**YAMAHA MT-10**

- MOUNTING INSTRUCTIONS -



- SCREEN FOR -  
**YAMAHA MT-10**

- MOUNTING INSTRUCTIONS -



## MULTI-ADJUSTABLE VISOR



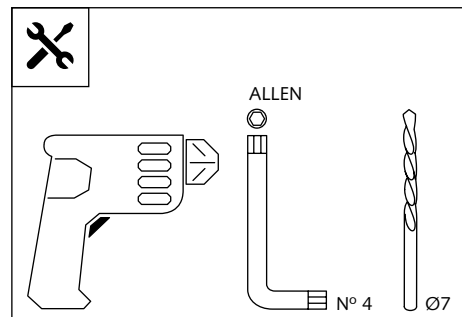
Ref.: 6007

Ref.: 5852

Ref.: 5853

Smoke

Clear



1 person



15 min



Note:

If the visor is supplied along with the windscreen, the windscreen will come factory-drilled so no drilling is necessary.

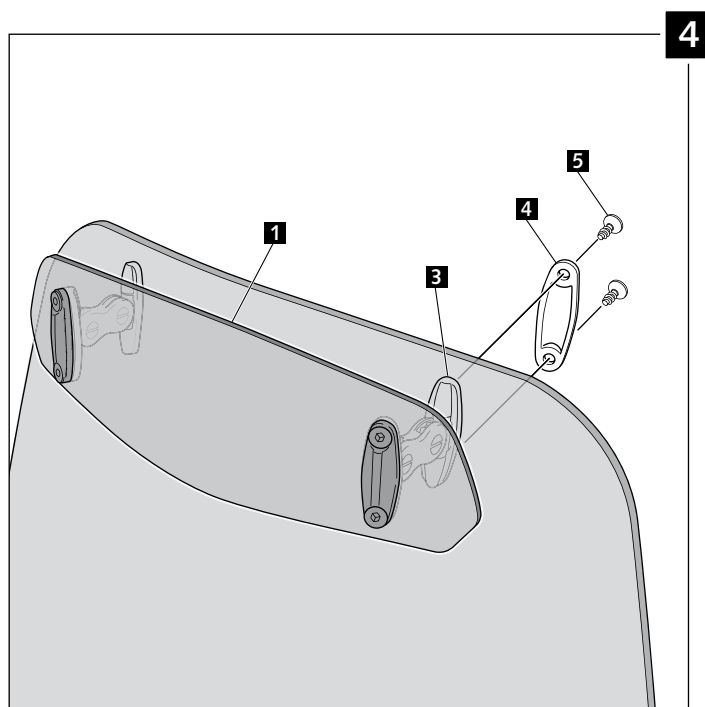
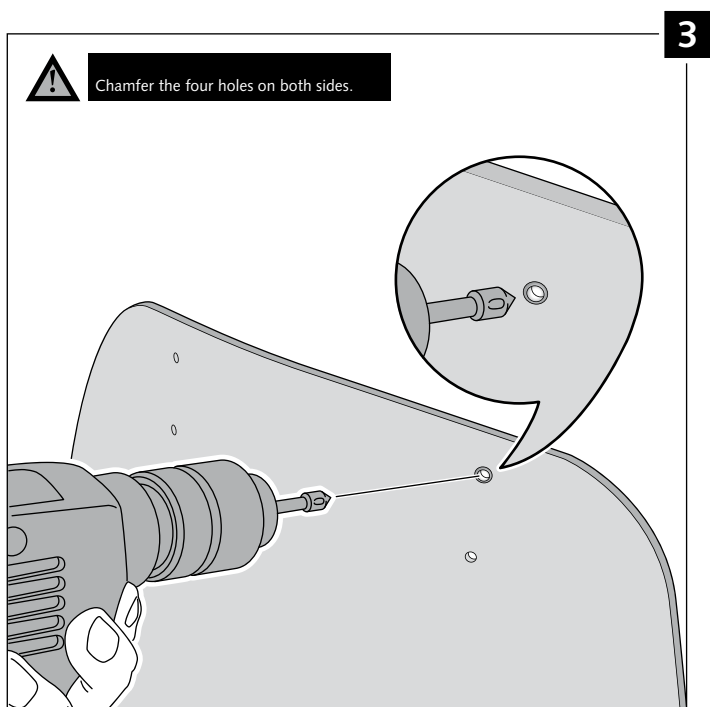
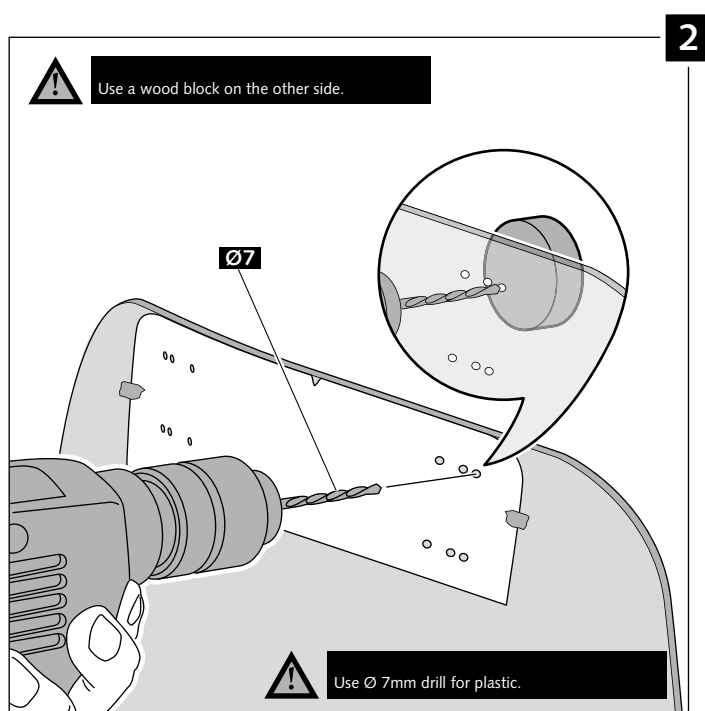
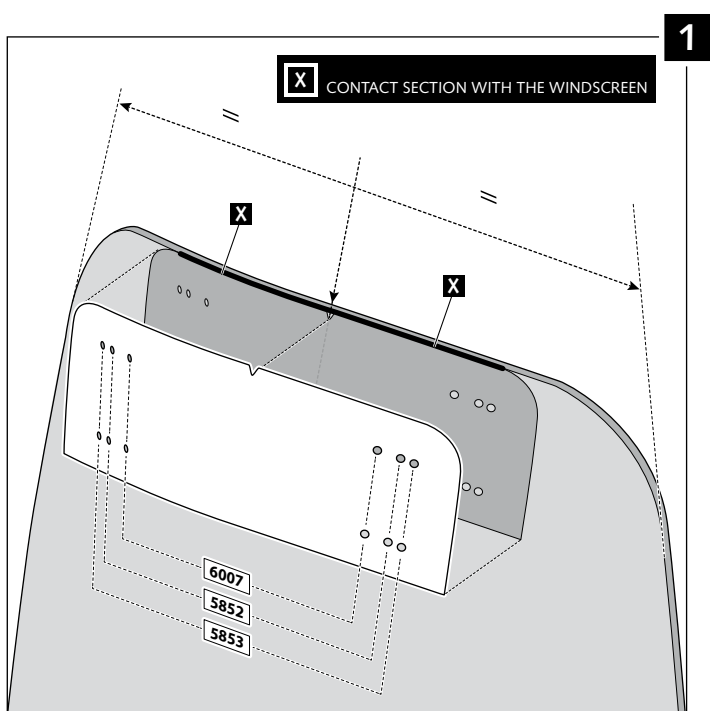
ID.	PART	DESCRIPTION	QTY.
1		Visor	1
2		Template	1
3		Multi-adjustable mechanism	2
4		Cap	4
5		Plastic thread fastener M6x12	8



## MULTI-ADJUSTABLE VISOR

### - MOUNTING INSTRUCTIONS -

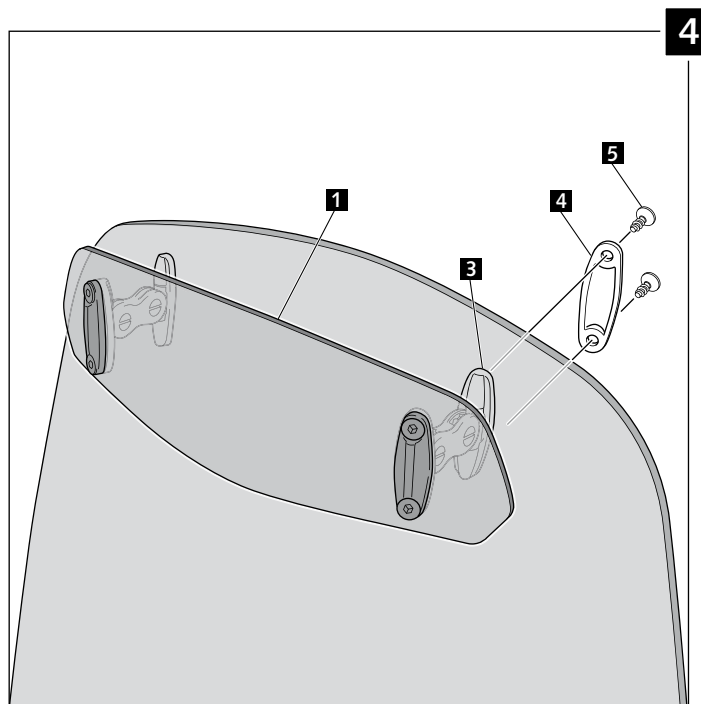
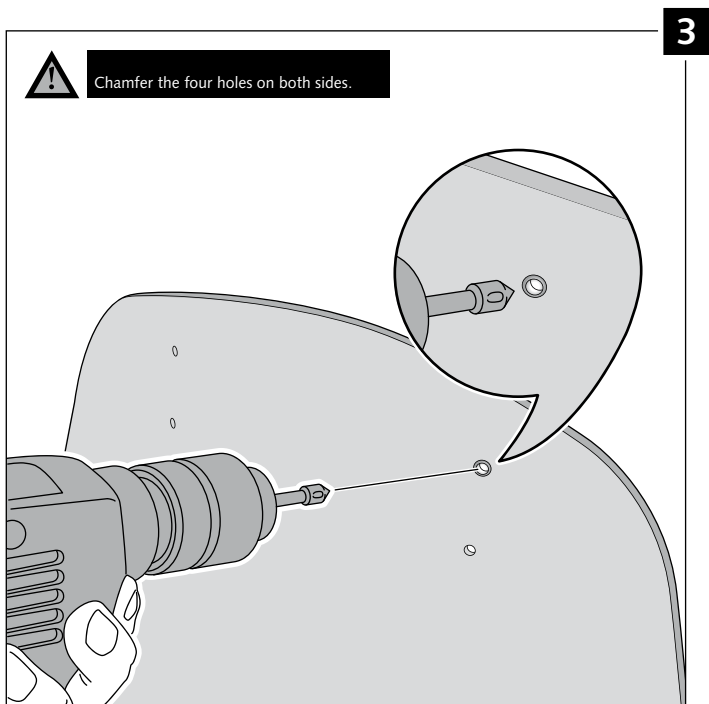
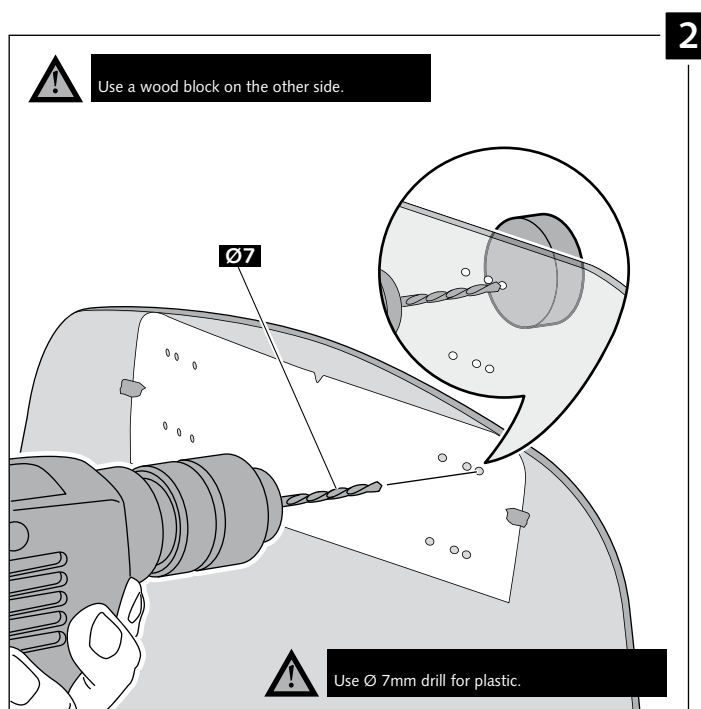
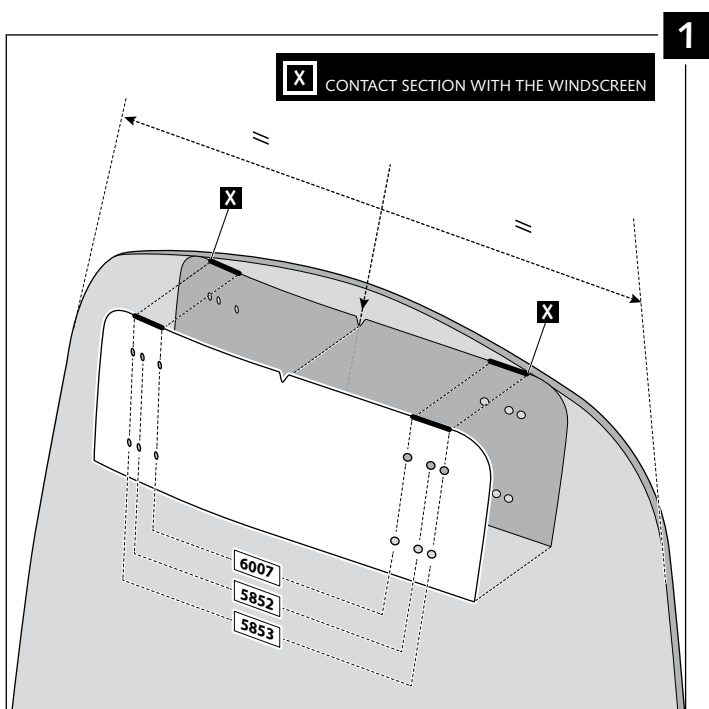
#### TYPE A



## MULTI-ADJUSTABLE VISOR

### - MOUNTING INSTRUCTIONS -

#### TYPE B



## MULTI-ADJUSTABLE VISOR

- MOUNTING INSTRUCTIONS -

TYPE C

