

SCREEN FOR YAMAHA MT-10

Ref.: 8918



IS NOT COMPATIBLE WITH THE ORIGINAL YAMAHA HANDGUARD.



ALLEN

PHILLIPS

Nº 3
Nº 5
Nº 6



1 person


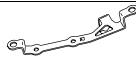
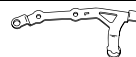









20 min

Easy

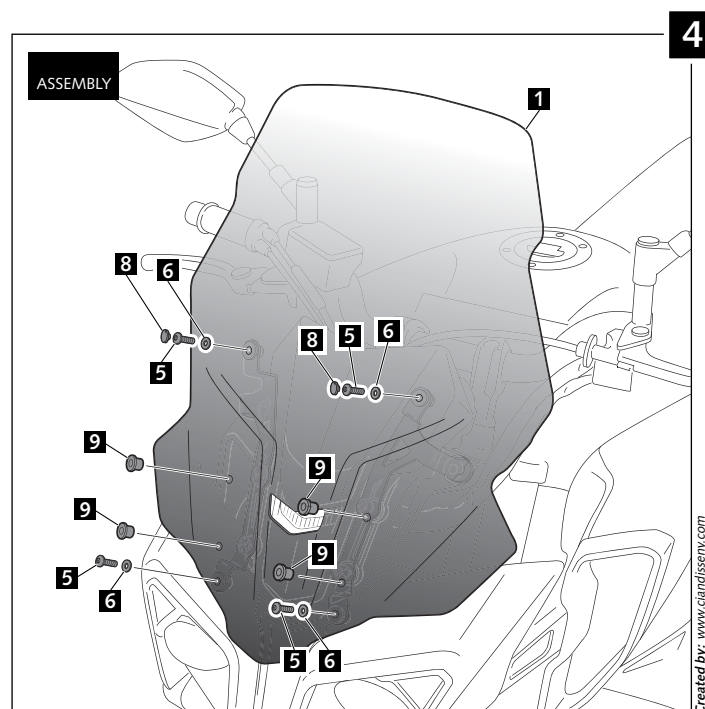
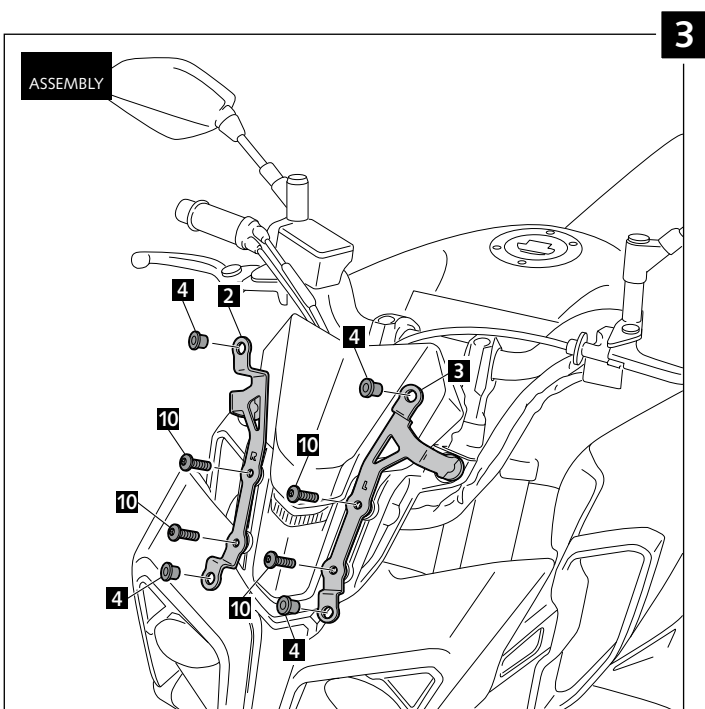
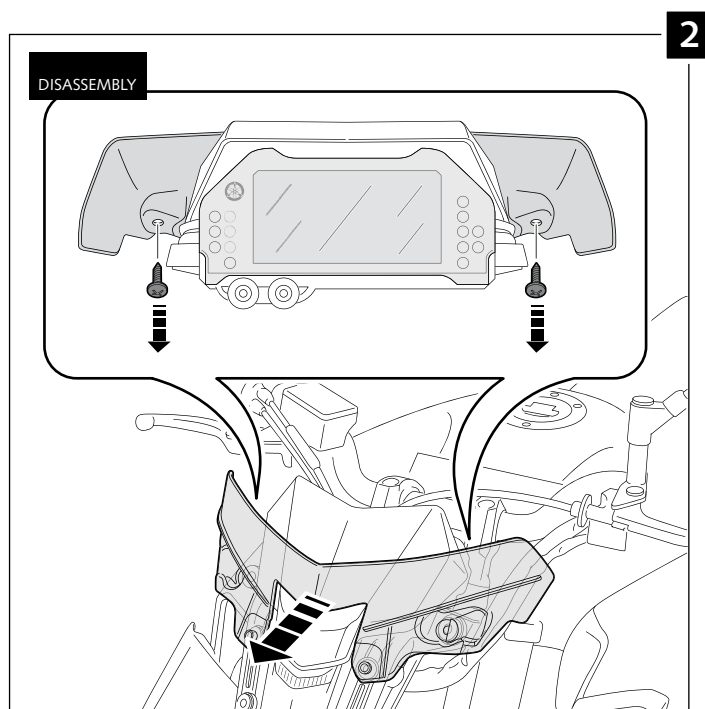
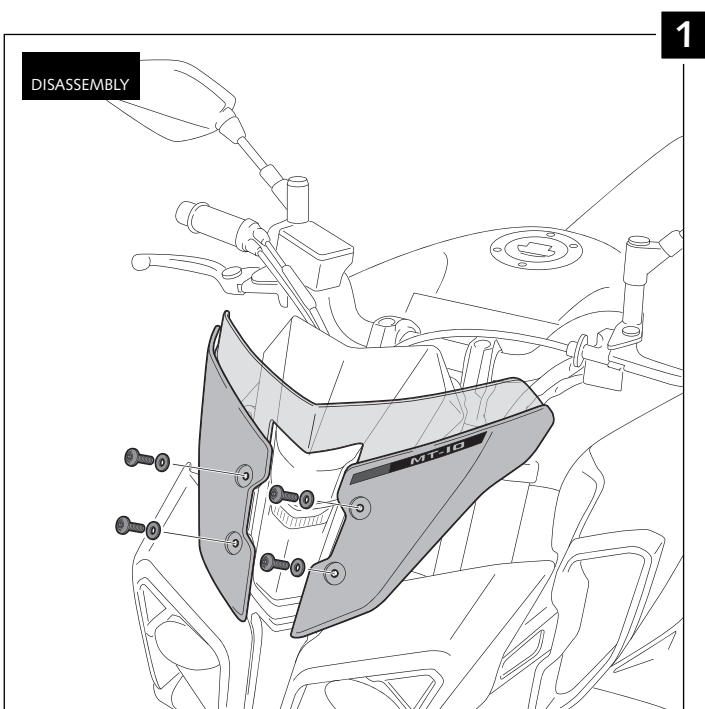
Intermediate

Difficult

ID.	PART	DESCRIPTION	QTY.
1		Touring Screen	1
2		Right metal support	1
3		Left metal support	1
4		M5 Silentblock	4
5		M5X16 Ø11 ISO 7380 Allen screw	4
6		M5x1 nylon washer	4
7		25x10mm Velcro Dual Lock 3M strip sticker (Supplied mounted)	2
8		M5 ISO 7380 screw cap	2
9		M6 Silentblock	4
10		M6X25 ISO 7380 Allen screw	4

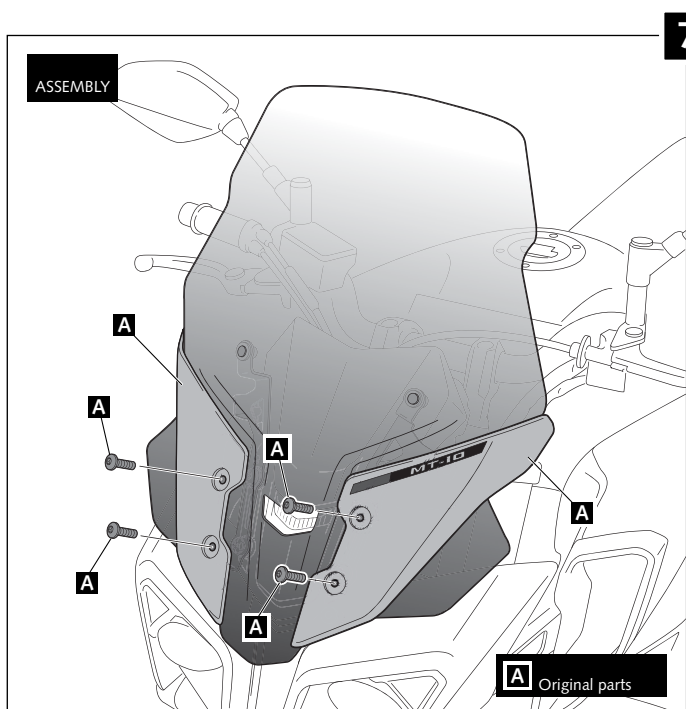
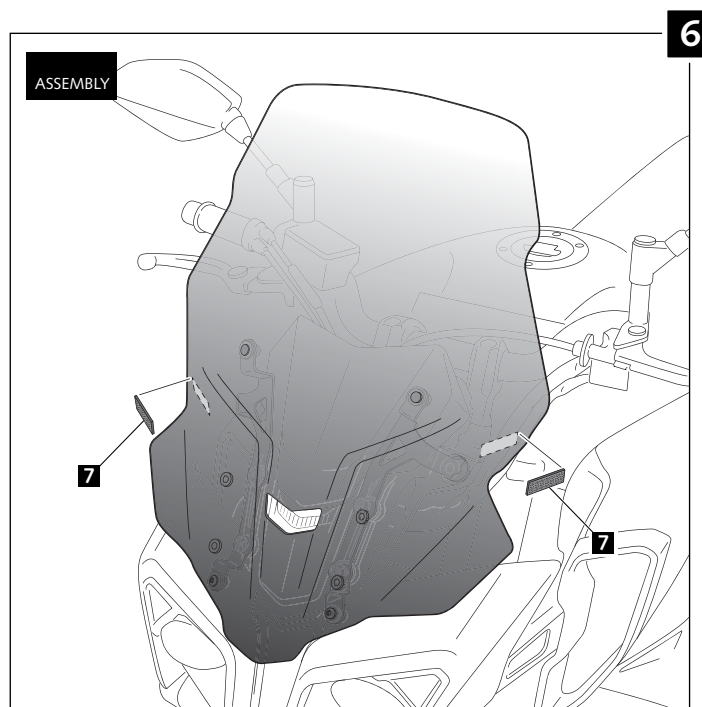
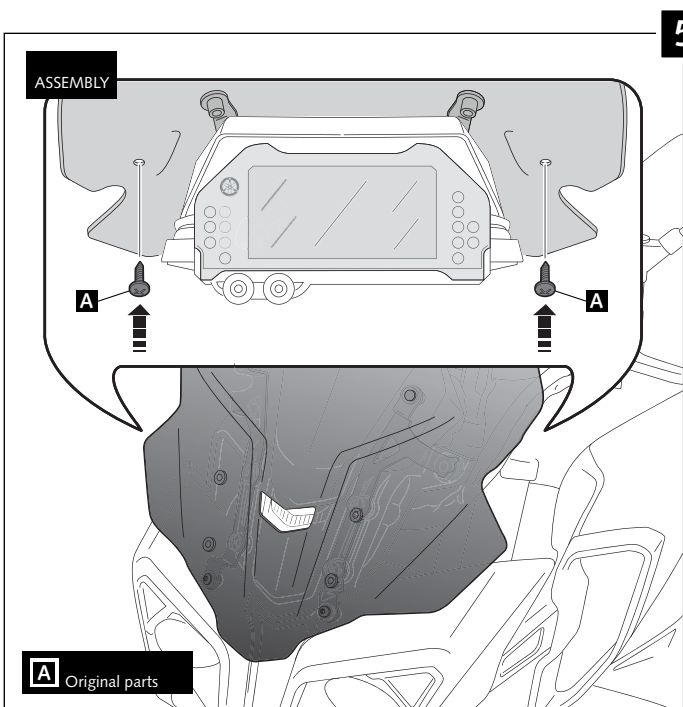
YAMAHA MT-10

MOUNTING INSTRUCTIONS



YAMAHA MT-10

MOUNTING INSTRUCTIONS



TIPS FOR A CORRECT WINDSCREEN ASSEMBLY

Due to storage and transport processes of the windscreens, which are subjected to positions and temperature changes out of our control, this may produce small deformations on the material causing some difficulties on the mounting process. It is recommended to:

- 1- Place the screws on one side without tighten all the way.
- 2- Stretch the windscreen to the other side (see Fig. 1). The flexibility of the material allows this stretch with no risk of breaking or cracking.
- 3- Place the screws without tightening all the way.
- 4- Tighten progressively all the screws.

