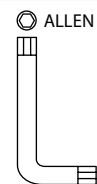


## FRONT PLATE FOR UNIVERSAL



Ref.: 8833



1 persona  
1 person



15 min

Fácil - Easy

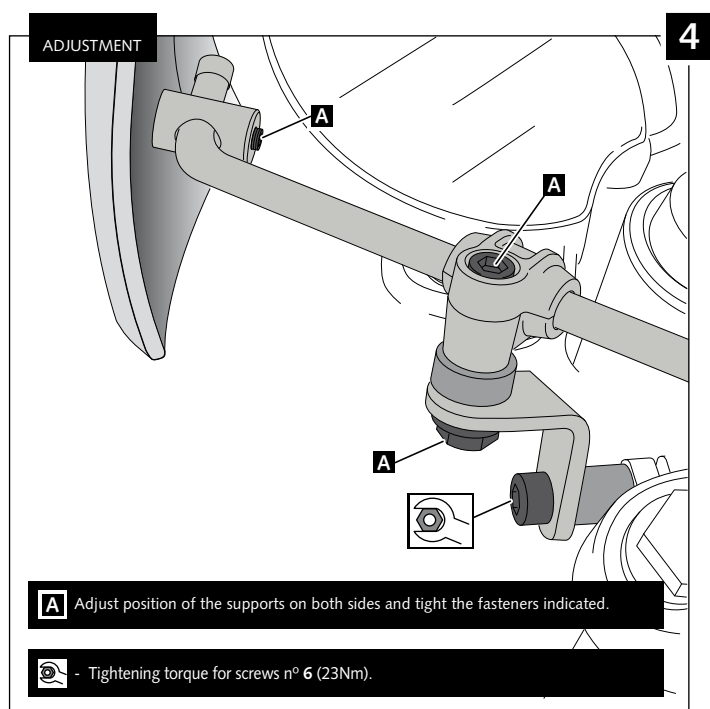
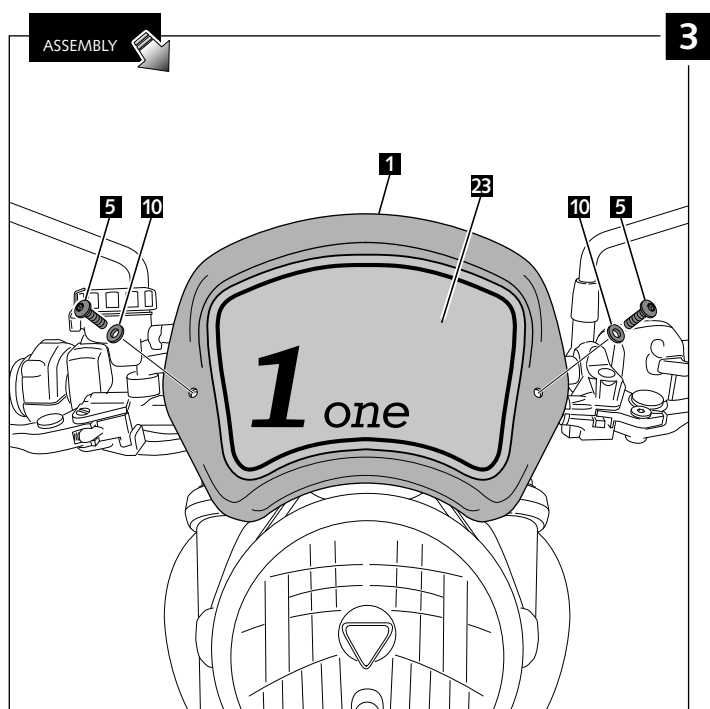
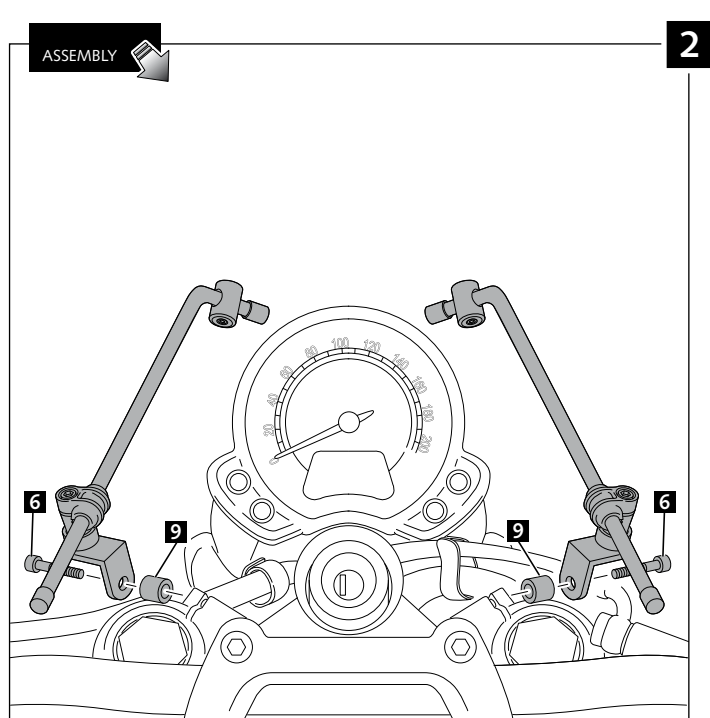
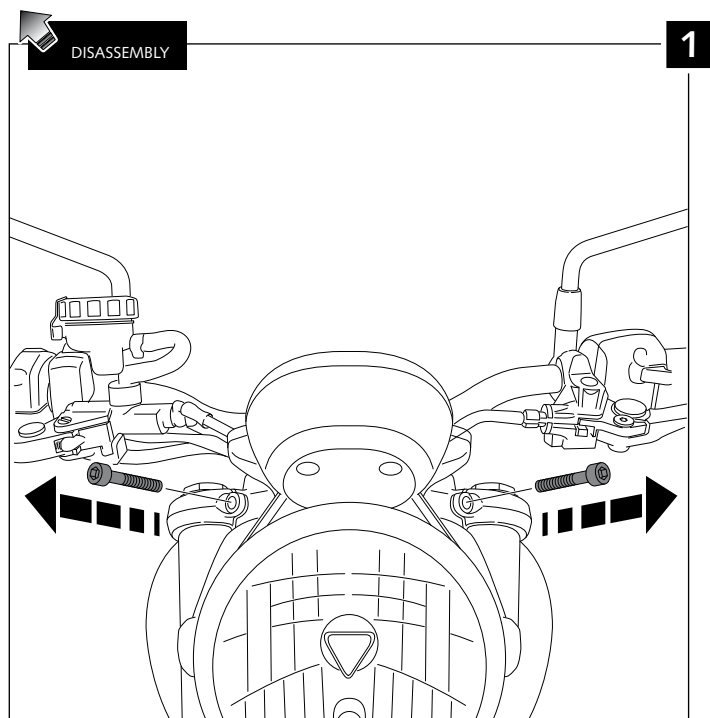
Media-Intermediate

Difícil-Difficult

ID	PIEZA / PART	DESCRIPTION	QTY	REF.
1		Front plate	1	10526J/CM3
2		Bracket support	2	SOPORT30X30-581
3		Ø9x200 Dispstick	2	VARILL205--0261
4		Plastic stopper	4	TOPEE-VPGT--8/4
5		M6X10 ISO 7380 Allen screw	2	TORNI-I7380-402
6		M8X40 DIN 912 Allen screw	2	TORNI-D912-475
7		23 cylinder with drill through	2	CILINRTP---0217
8		M8x8 DIN 913 allen screw	2	TORNIA88---0184
9		Ø14x Ø8 x15 arrowhead	2	CASQUI81415-101
10		M6x0,5 Nylon washer	2	ARANDEPNVCN0246
11		M6X35 DIN 912 Allen screw	2	TORNI-D912---447
12		M6 self-locking nut	2	TUERCA-D982-745
13		Dispstick bridle	2	FIXVARLL-0-PR16
14		Bridle-bracket locknut	2	FIXSOPOR-0-PR16
15		M5x16 ISO7380 Allen screw	2	TORNI-I7380-493
16		M5 Silentblock	2	SILENBTM5-046/1
17		M5x1 nylon washer	2	ARNV0000000245
18		Right universal support (R)	1	SOPOR-2P-4-8833
19		Left universal support (L)	1	SOPOR-2P-4-8833
20		Ø8,5x Ø13x 3,5 arrowhead	2	CASQUI-----775
		Ø8,5x Ø13x 6 arrowhead	2	CASQUI-----776
		Ø8,5x Ø13x 9 arrowhead	2	CASQUI-----777
21		M8 DIN 125 metallic washer	2	ARANDPD125A-018
22		DIN 933 M8x45 exagonal screw	2	TORNIE845Z-0012
23	1 one	Sticker set	1	10535

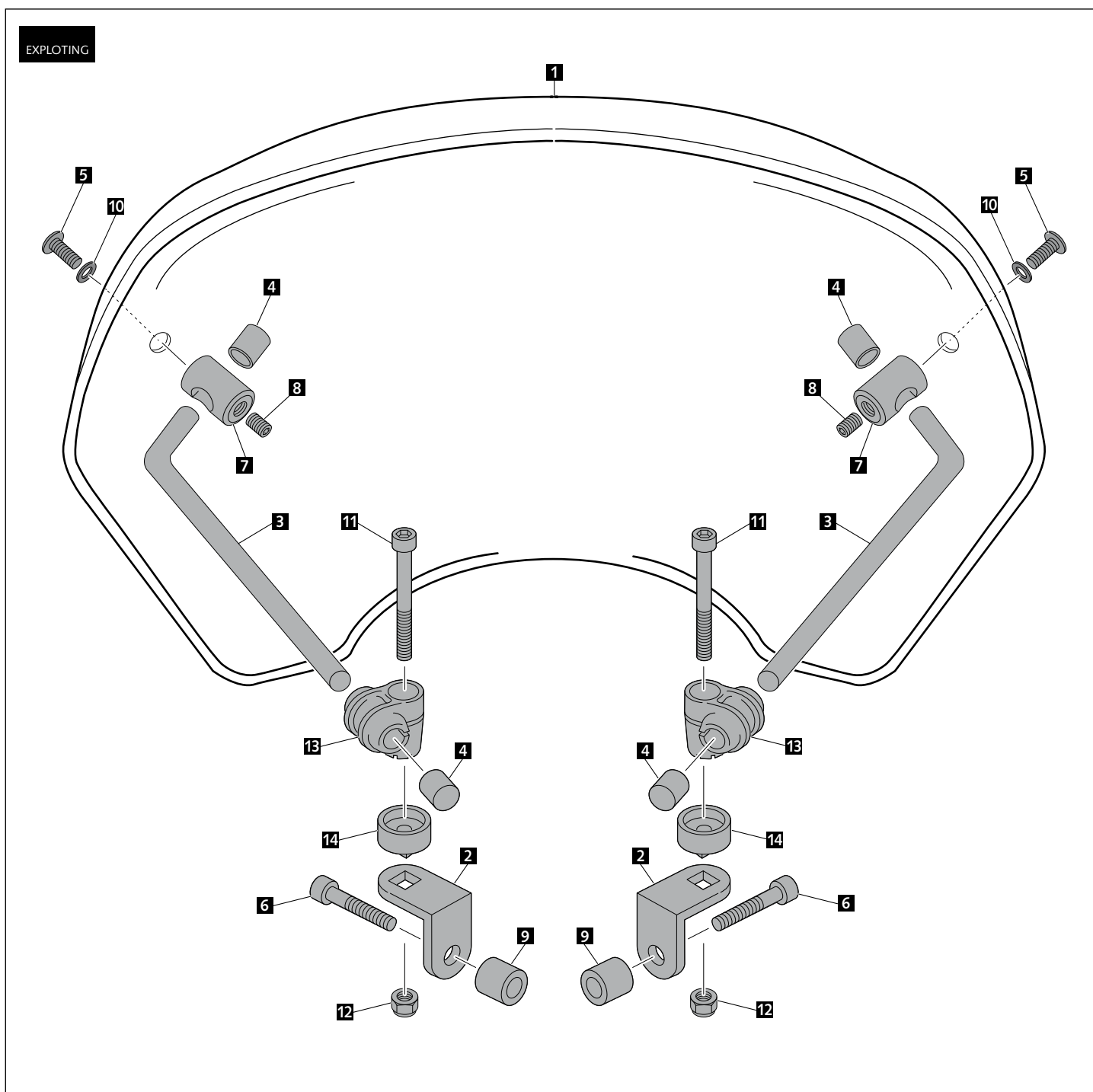
# FRONT PLATE FOR UNIVERSAL

## FORK MOUNTING



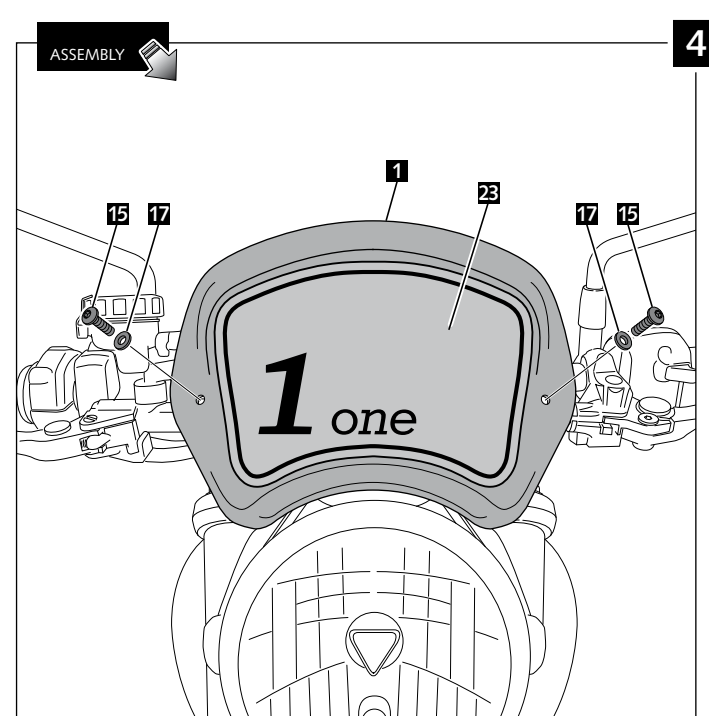
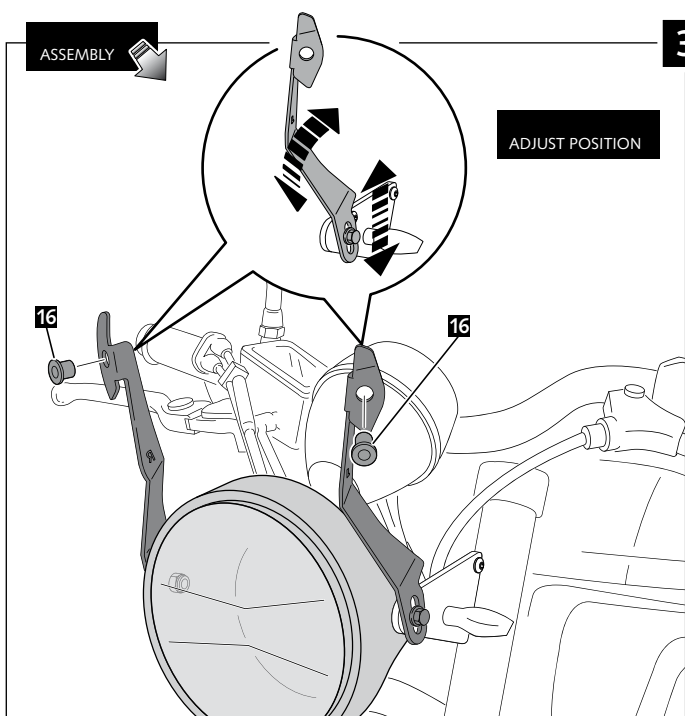
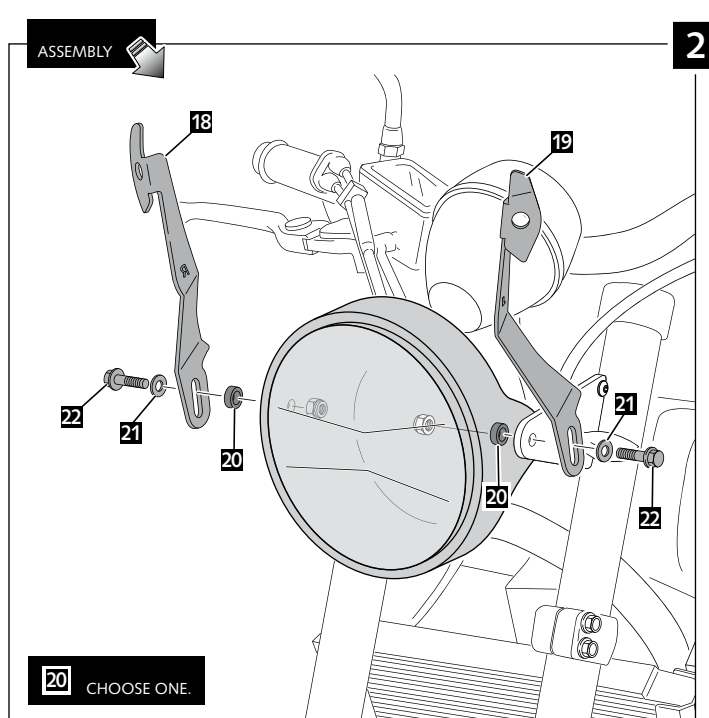
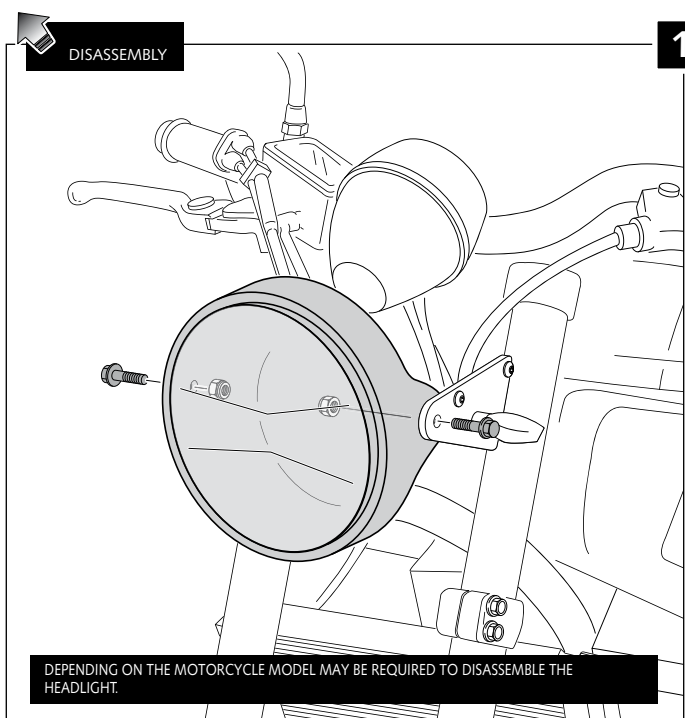
FRONT PLATE FOR  
**UNIVERSAL**

FORK MOUNTING



# FRONT PLATE FOR UNIVERSAL

## HEADLIGHT MOUNTING



FRONT PLATE FOR  
**UNIVERSAL**

HEADLIGHT MOUNTING

