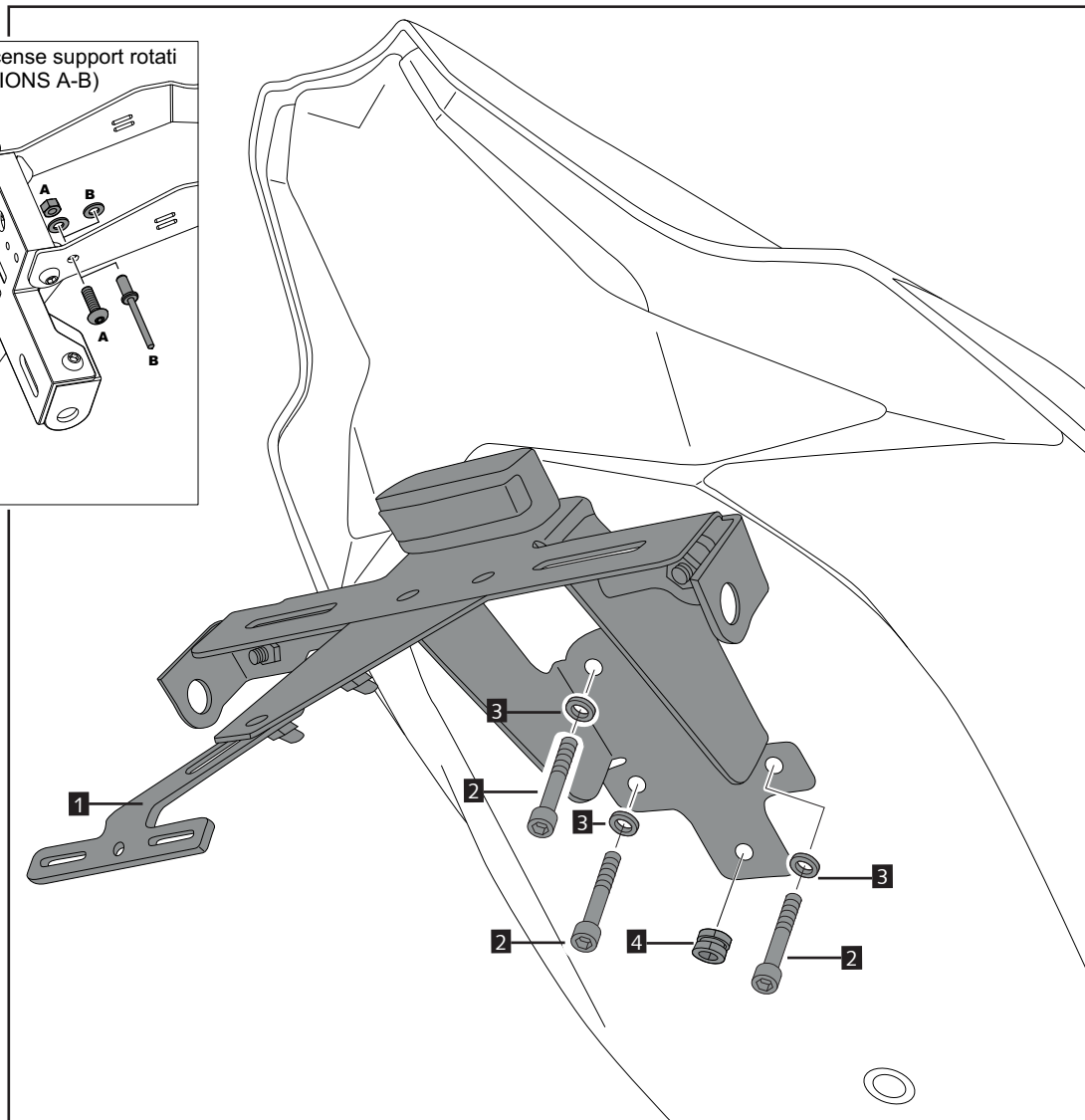
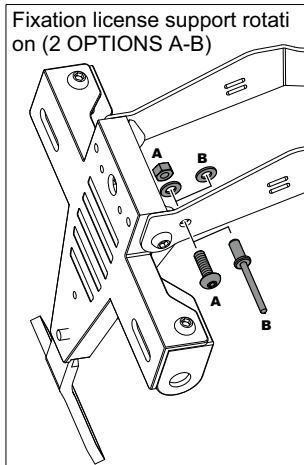


It would be convenient to re-tight the licence support screws, specially the ones that are fixed to the motorcycle, whenever you maintain the vehicle.

Thanks for your attention.

ID.	DESCRIPTION	QTY.
1	Stainless bracket	1
2	Black M6x15 screw DIN1001	4
3	Black M6 washer DIN9021	4
4	Silenblock	1
5	Plastic Bridle	5
6	Licence Light	1
7	Reflector	1
8	Support for reflector	1



MOUNTING INSTRUCTIONS

LICENSE SUPPORT FOR
KAWA NINJA ZX10R 16'

Ref.: 8726N