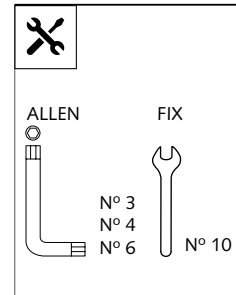


SIDE COVERS FOR YAMAHA XSR700 '16-



Ref.: 8562 J
(black colour)
Ref.: 8562 C
(carbon look)



1 person

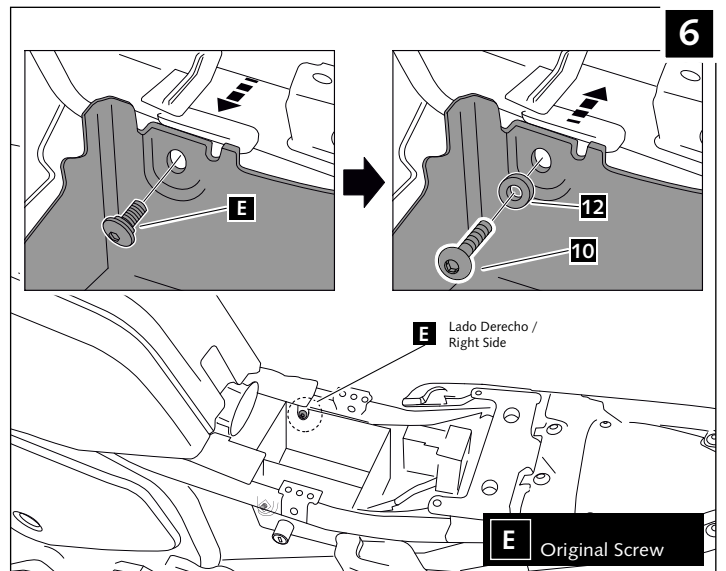
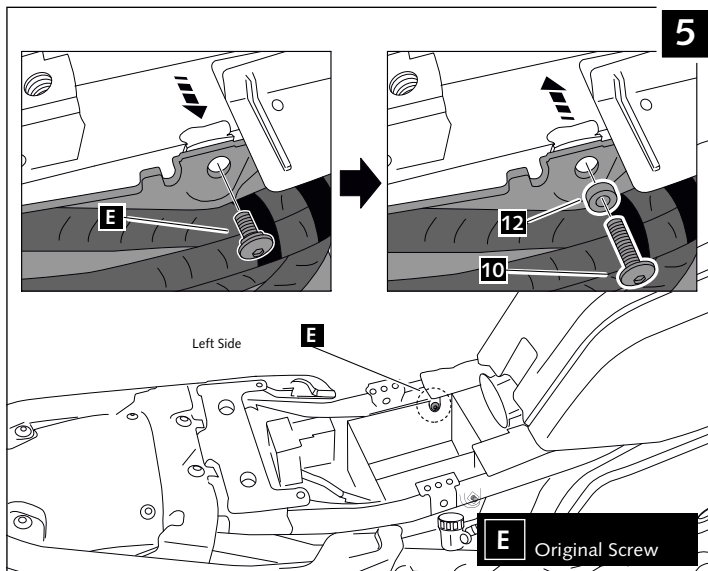
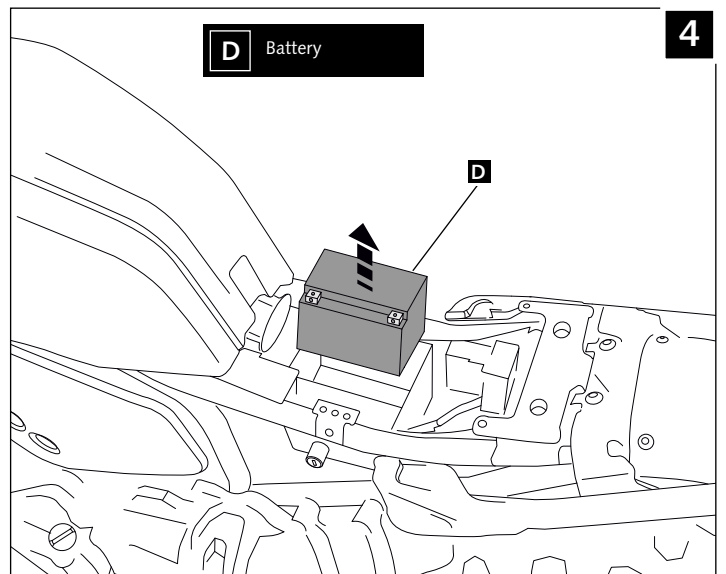
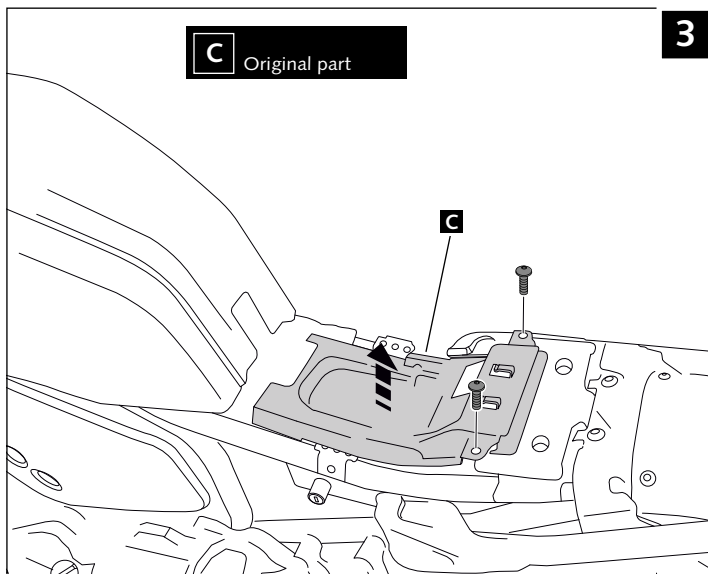
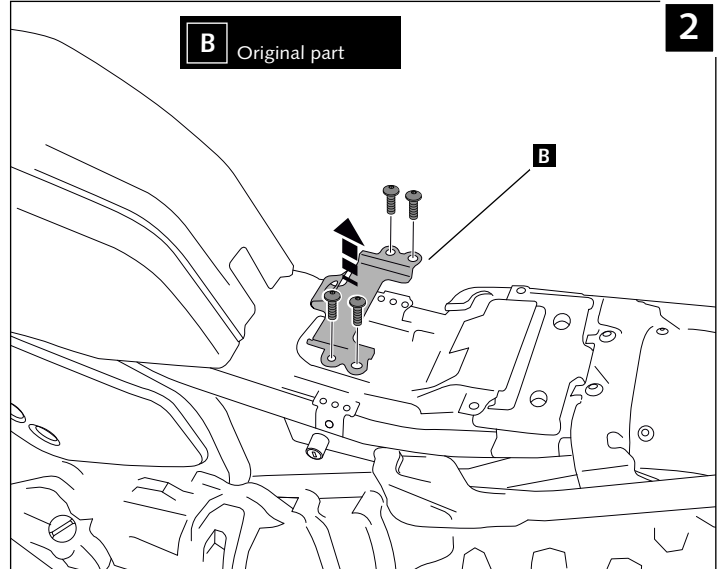
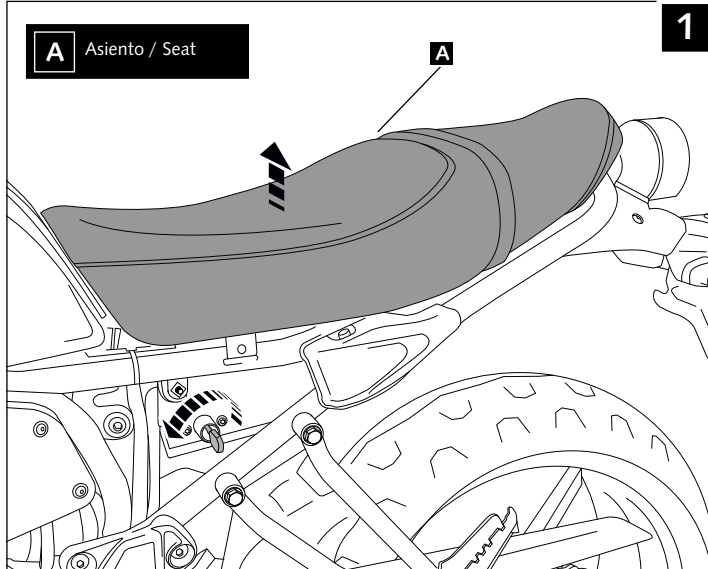
25 min

Easy
Intermediate
Difficult

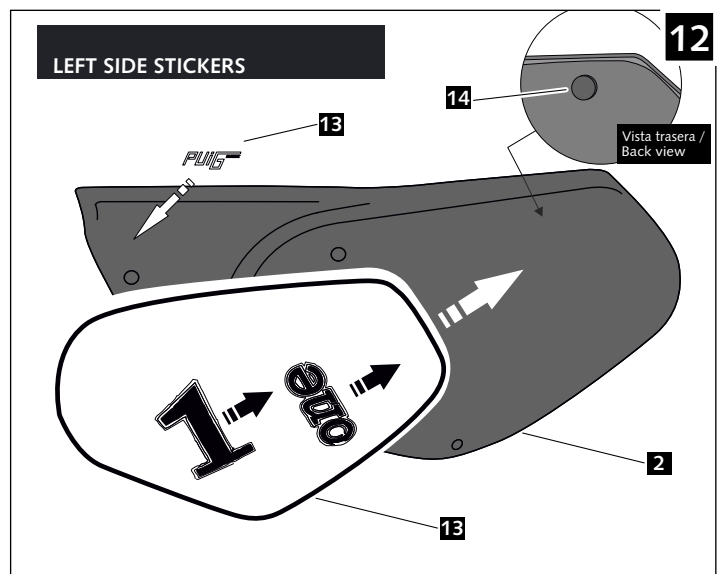
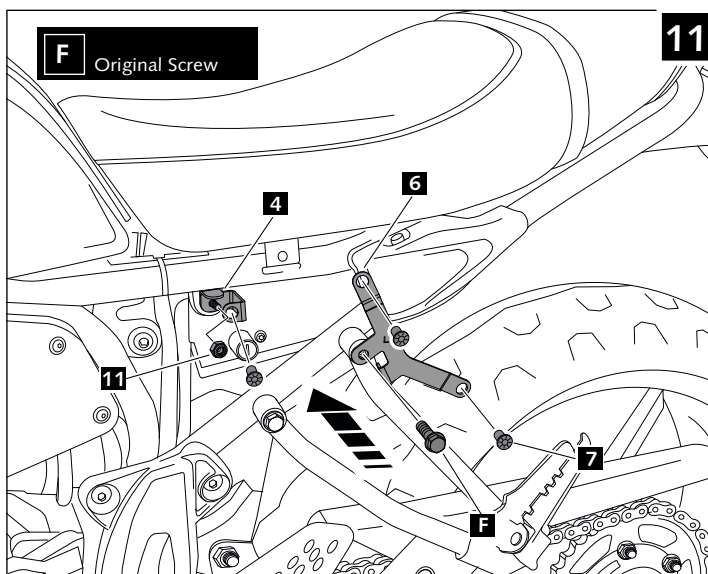
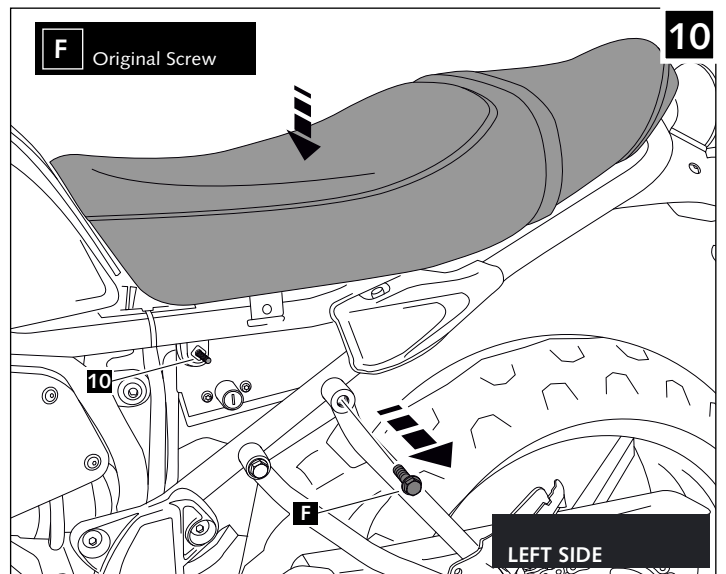
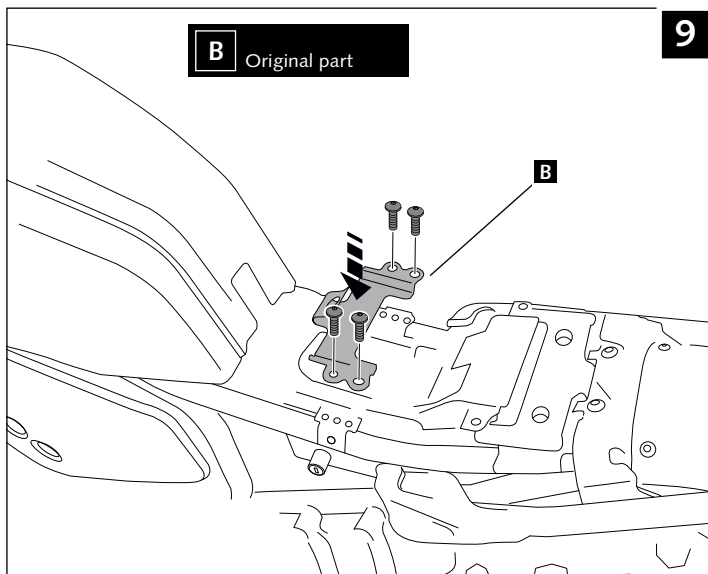
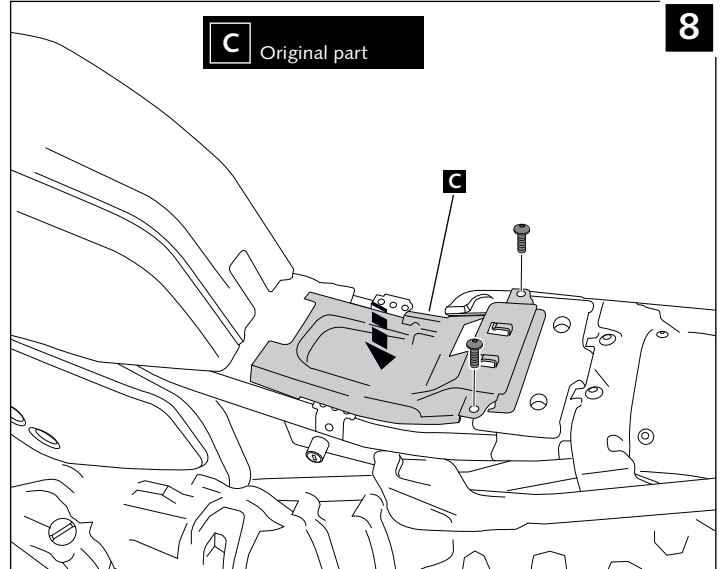
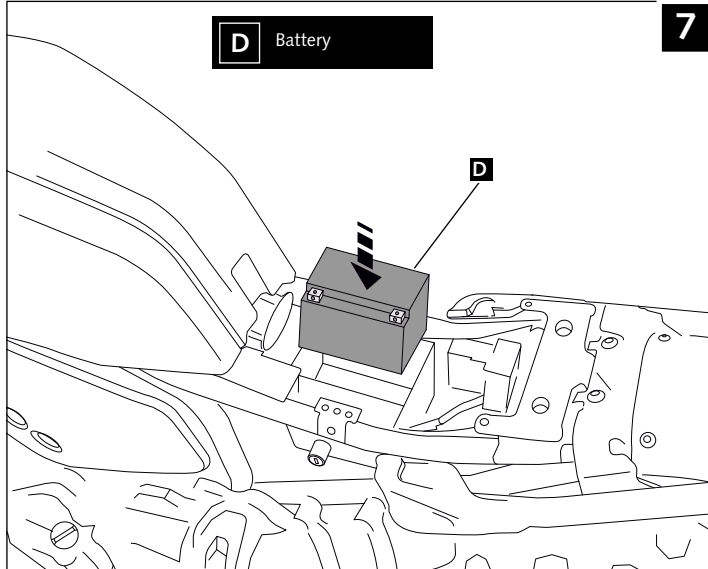
ID.	PART	DESCRIPTION	QTY.
1		Right side cover	1
2		Left side cover	1
3		Right metal support 1	1
4		Left metal support 1	1
5		Right metal support 2	1
6		Left metal support 2	1
7		M5 Silentblock	6
8		M5x16 ISO 7380 Allen screw	6
9		M5x0,5 Nylon washer	6
10		M6x25 ISO 7380 Allen screw	2
11		M6 Lock nut	2
12		Øinner 7 x Øoutter 12 x 3mm Arrowhead	2
13			1
14		Ø14x2mm self-autoadhesive (supplied mounted in pieze n°1 and n°2)	2

- SIDE COVERS FOR - YAMAHA XSR700 '16-

OUNTING INSTRUCTIONS



- SIDE COVERS FOR -
YAMAHA XSR700 '16-
 - MOUNTING INSTRUCTIONS -



- SIDE COVERS FOR -
YAMAHA XSR700 '16-
 - MOUNTING INSTRUCTIONS -

