

HONDA NC 700-750 S '12- / NC 700-750 X '12-

NO compatible with DCT (Automatic Shifting gear)

M O U N T I N G I N S T R U C T I O N S

REF 8549

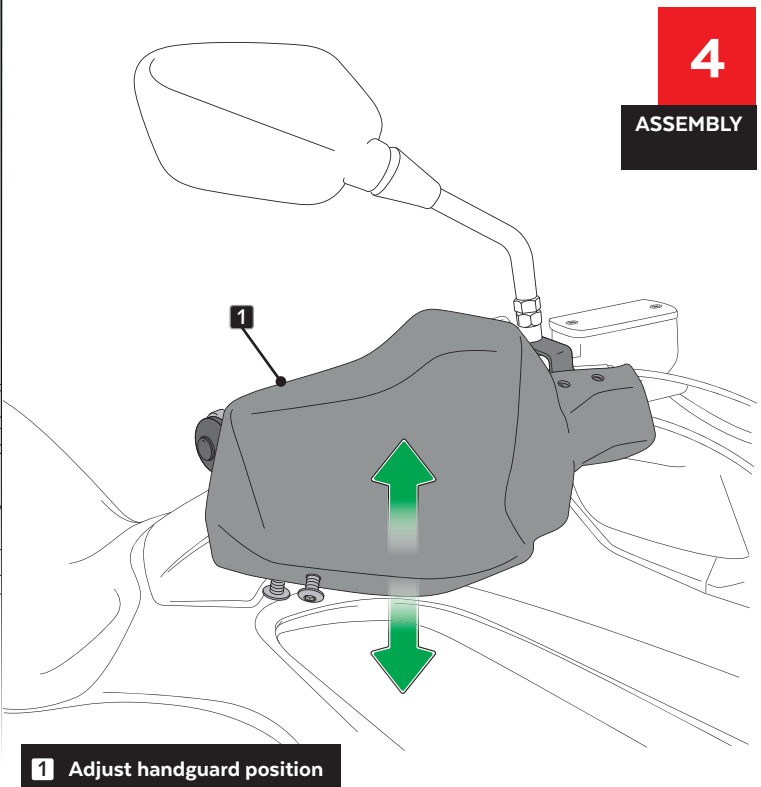
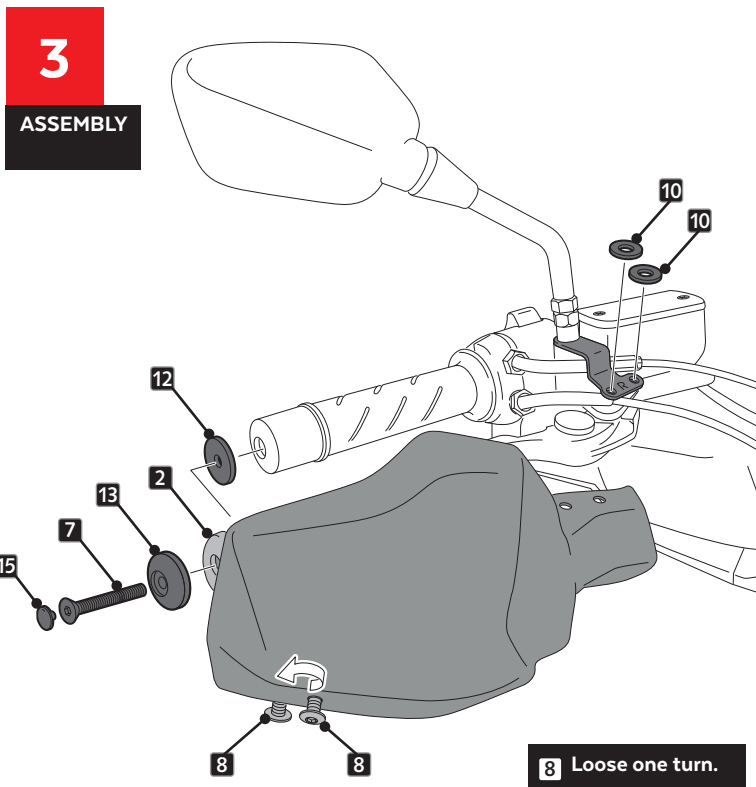
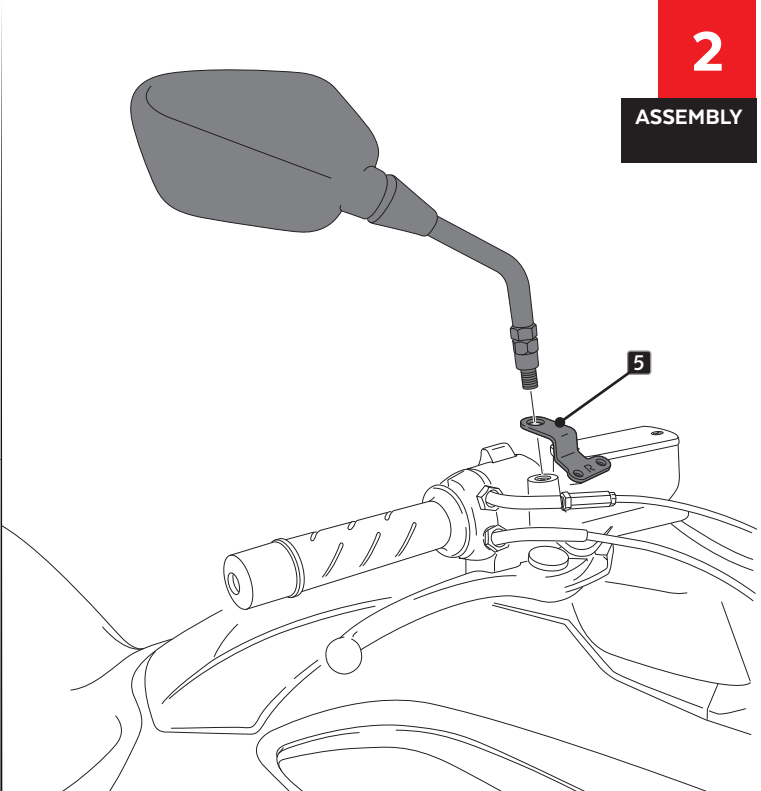
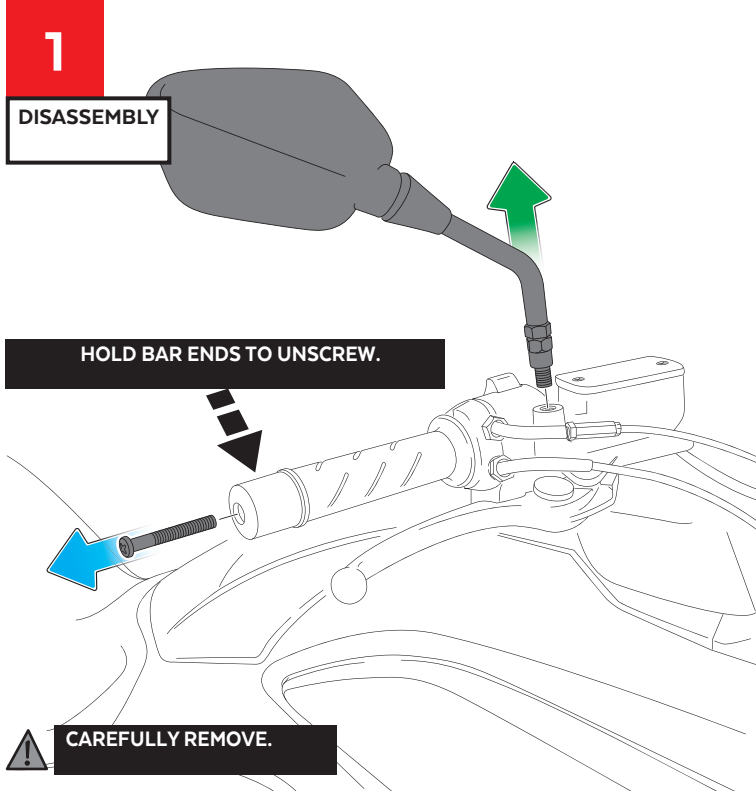
HANDPROTECTORS



ID	PART	DESCRIPTION	QTY	REF
1		Right handguard	1	8549J/CM3
2		Ø6.5 right handlebar anchoring part (supplied mounted with handguard)	1	8549J/CM3
3		Left handguard	1	8549J/CM3
4		Ø6.5 left handlebar anchoring part (supplied mounted with handguard)	1	8549J/CM3
5		Right support (R)	1	SOPOR2P7-R-8549
6		Left support (L)	1	SOPOR2P7-L-8549
7		M6x75 DIN 7991 Allen screw	2	TORNI-D7991-735
8		M5x11 ISO 7380 Allen screw	8	TORNI-AI-520
9		M5x1 nylon washer	8	ARNV00000000245
10		Ø4,5 x Ø11,5 x 2mm rubber washer	8	ARAND-EPDM-722
11		M5 special nut (supplied already mounted on items 1-2-3-4)	4	TUERC-D6923-255
12		Ø30 x Ø6,5 x 1mm rubber washer	2	ARAND-736
13		Ø30xØ6 plastic washer	2	ARAND-PN6X30-67
14		M5 ISO 7380 Allen screw cap	8	TAPON-85
15		M6 ISO 7991 Allen screw cap	2	TAPON-81
16		Stickers set	1	ADHESI-234

HONDA NC 700-750 S '12- / NC 700-750 X '12-
NO compatible with DCT (Automatic Shifting gear)

MOUNTING INSTRUCTIONS

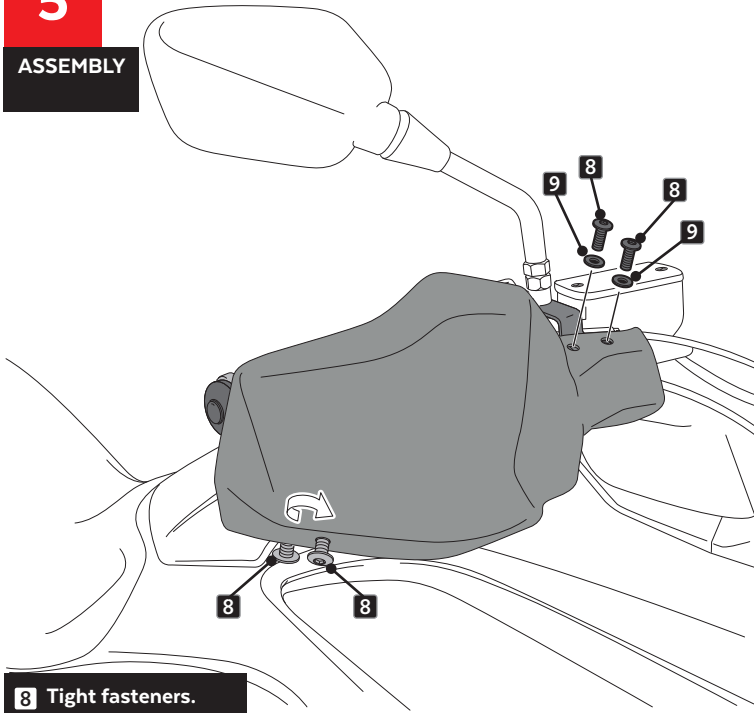


HONDA NC 700-750 S '12- / NC 700-750 X '12- NO compatible with DCT (Automatic Shifting gear)

MOUNTING INSTRUCTIONS

5

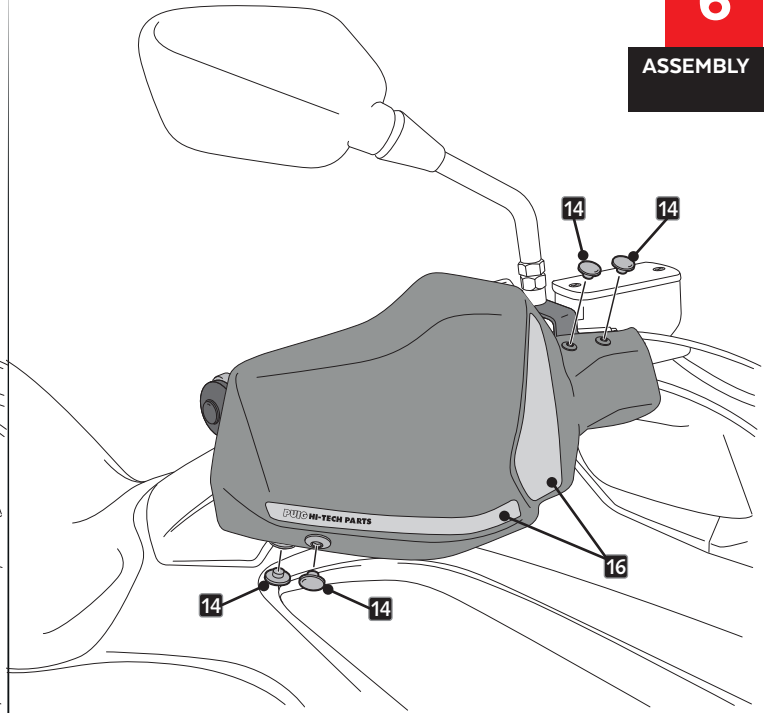
ASSEMBLY



8 Tight fasteners.

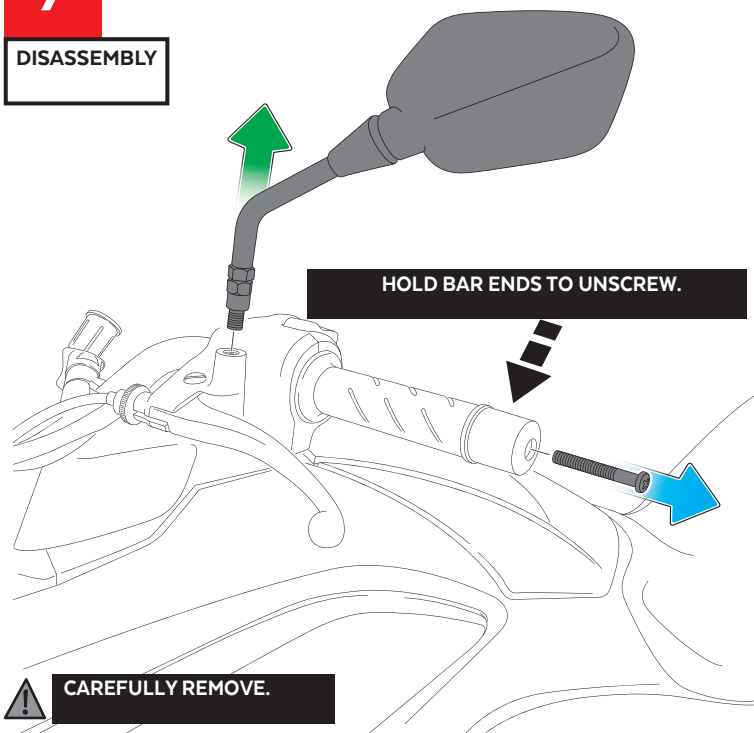
6

ASSEMBLY



7

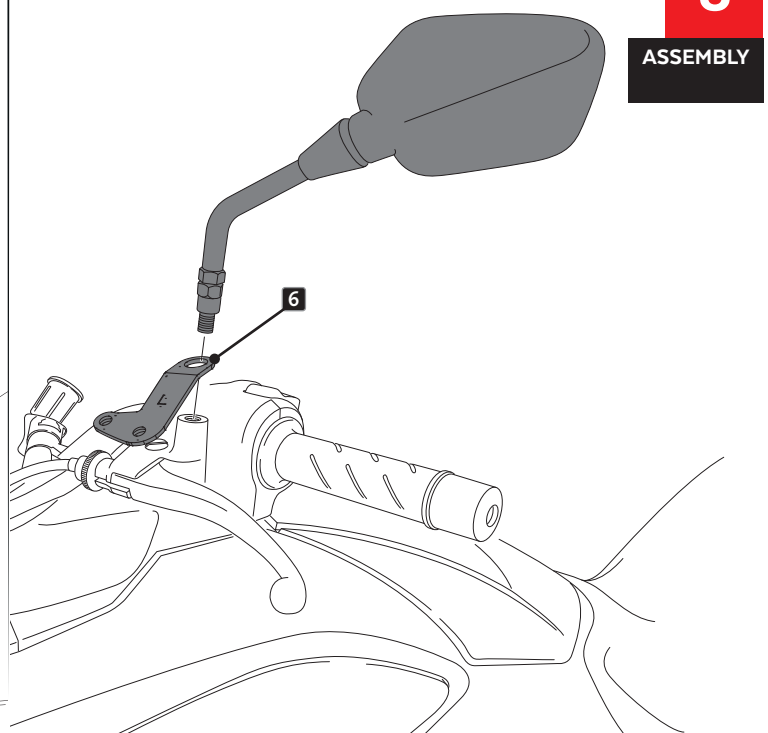
DISASSEMBLY



CAREFULLY REMOVE.

8

ASSEMBLY

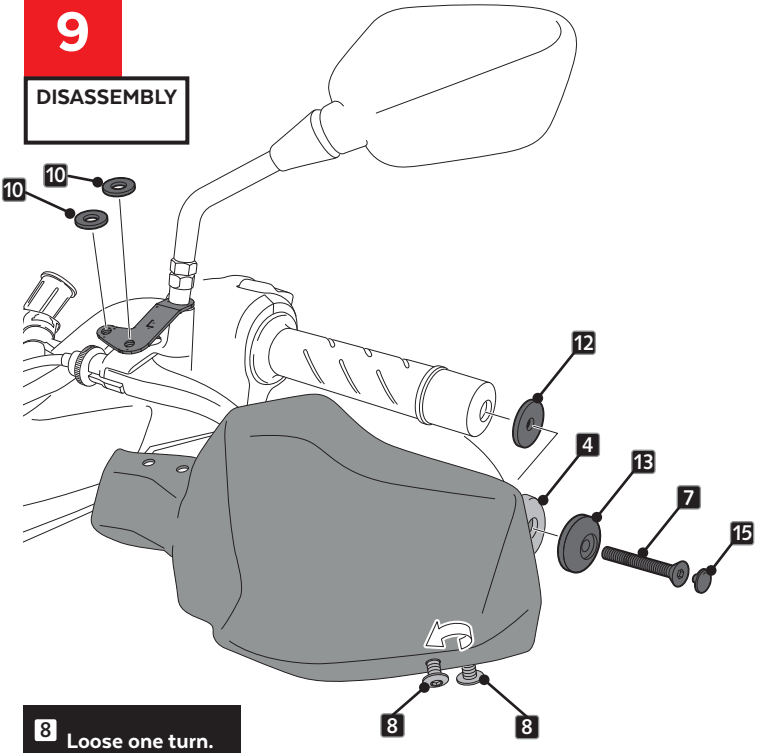


HONDA NC 700-750 S '12- / NC 700-750 X '12-
NO compatible with DCT (Automatic Shifting gear)

MOUNTING INSTRUCTIONS

9

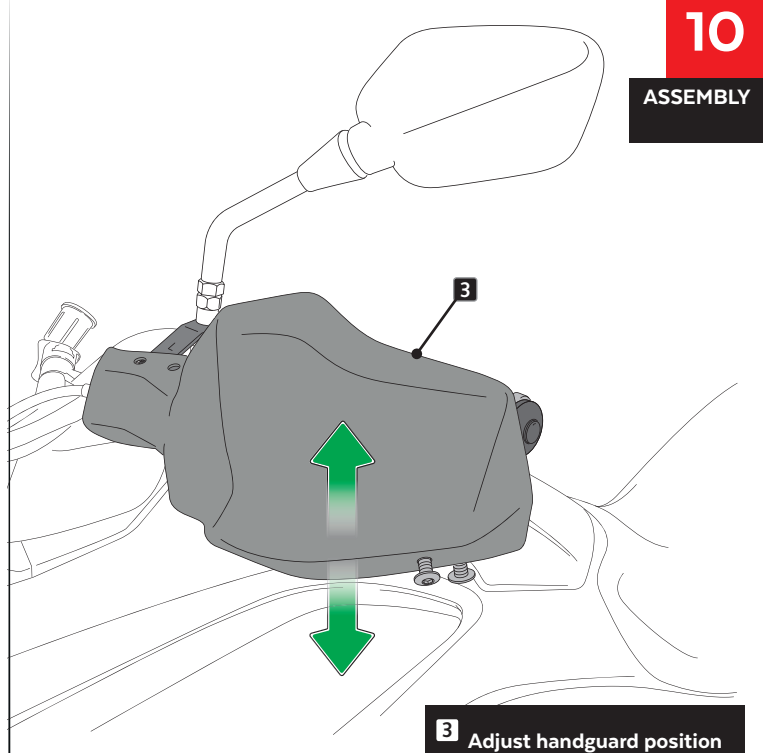
DISASSEMBLY



8 Loose one turn.

10

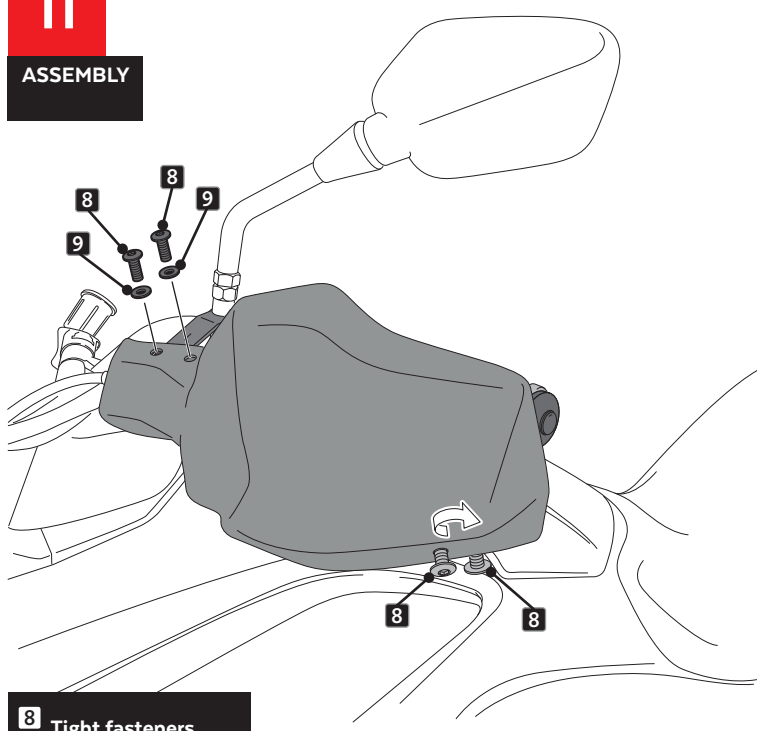
ASSEMBLY



3 Adjust handguard position

11

ASSEMBLY



8 Tight fasteners.

12

ASSEMBLY

