

## HANDSGUARDS FOR YAMAHA MT-07/MT-09/SP /MT-10/SP – YAMAHA XSR700/XTRIBUTE /XSR900

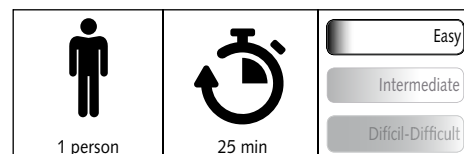
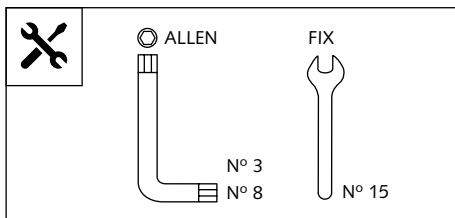
Compatible with PUIG handles

Mod. TOURING

Ref.: 8548

Mod. SPORT

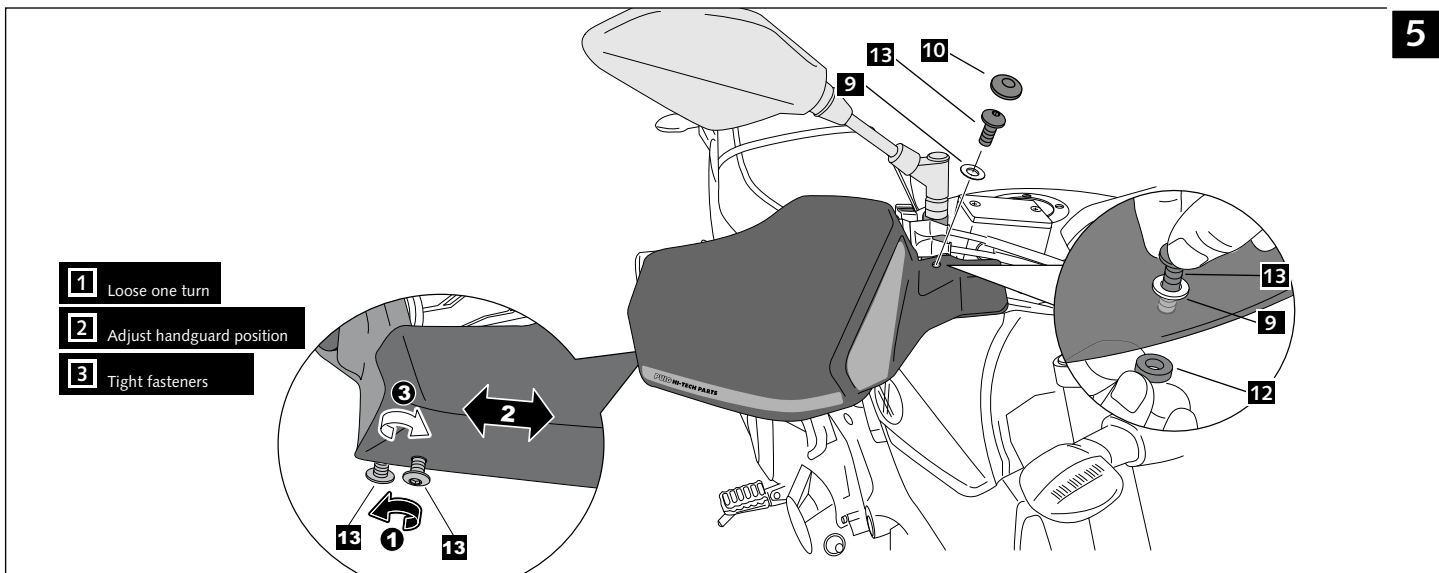
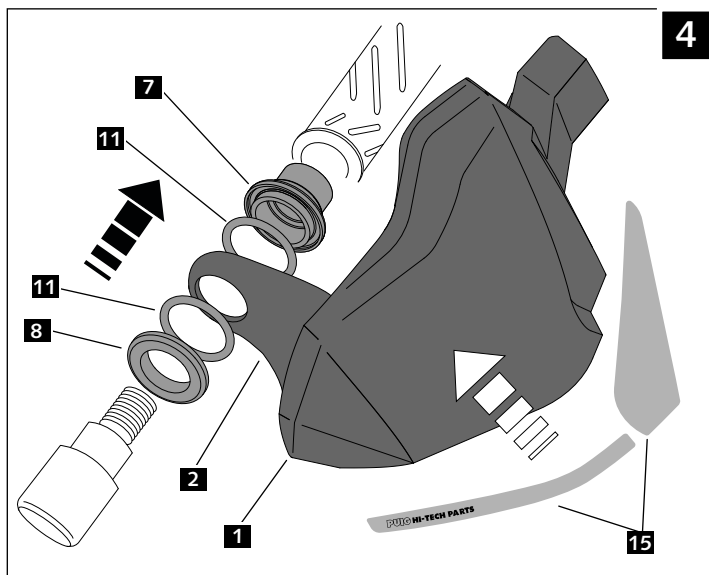
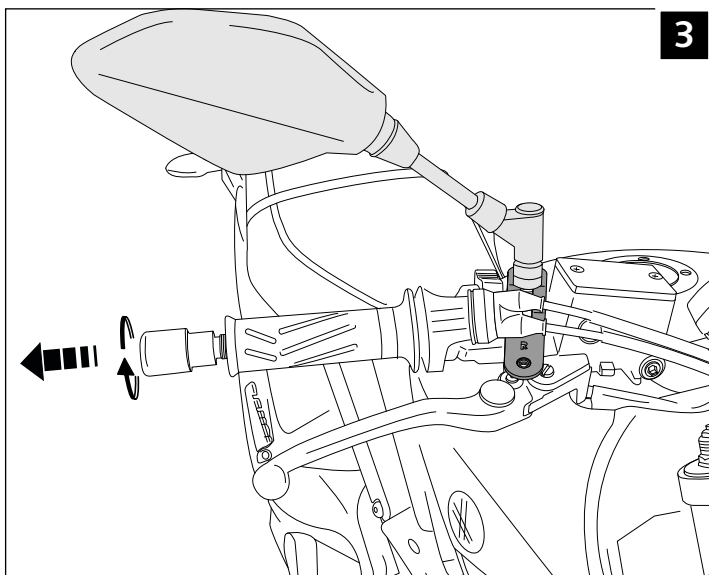
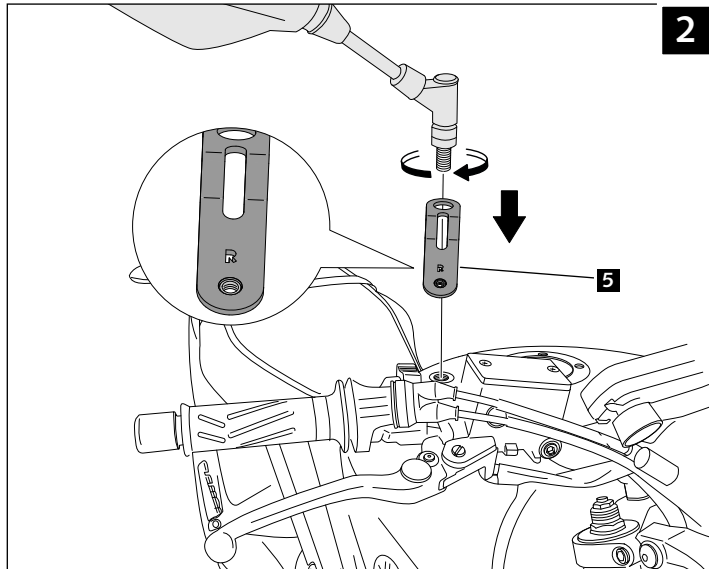
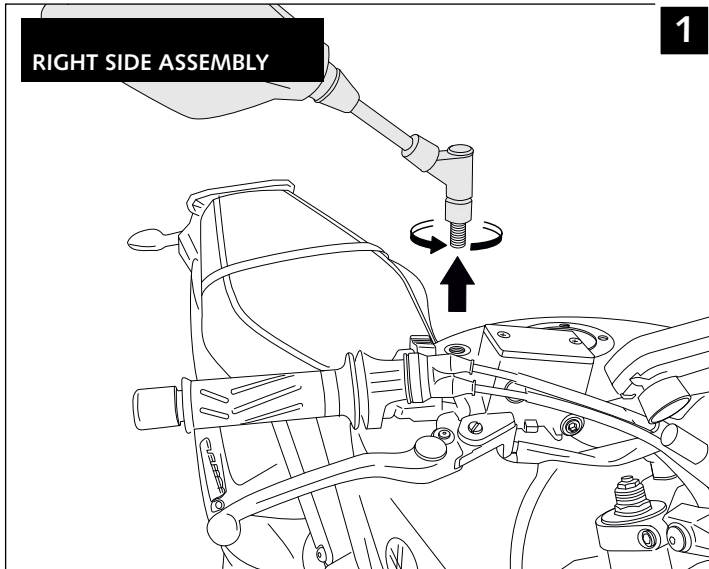
Ref.: 9161



ID.	DESCRIP.	QTY.	
1	Touring right handguard	8548J/CM3 9161C/JM3	1
	Sport right handguard	8548J/CM3 9161C/JM3	1
2	Right handlebar anchoring part Ø26 (supplied mounted with handguard)	8548J/CM3 9161C/JM3	1
	Touring left handguard	8548J/CM3 9161C/JM3	1
3	Sport left handguard	8548J/CM3 9161C/JM3	1
	Left handlebar anchoring part Ø26 (supplied mounted with handguard)	8548J/CM3 9161C/JM3	1
4	Right metal support	SOPOR-3P-9-8548	1+1*
5	Left metal support	SOPOR-3P-9-8548	1

ID.	DESCRIP.	REF.	QTY.
7	Inner handlebar support	CASQUI-AL---717	2
8	Outer handlebar support	CASQUI-AL---718	2
9	M5x0,5 Nylon washer	ARNV00000000245	6
10	M5 ISO 7380 screw cap (supplied mounted on items 1-2-3-4)	TAPON-----85	6
11	Øinner 25 x Øthickness 3mm O-Ring	JUNTATORICA8548	4
12	Ø4,5xØ11,5x2mm Rubber washer (supplied mounted on items 1-2-3-4)	ARAND-EPDM--722	6
13	M5 ISO7380 screw (supplied mounted on items 1-2-3-4)	TORNI-AI----520	6
14	M5 specila nut (supplied mounted on items 1-2-3-4)	TUERC-D6923-255	4
15	Kit adhesivos Stickers set	ADHESI-----234	1

- HANDGUARDS FOR -  
**YAMAHA MT-07/MT-09/SP /MT-10/SP – YAMAHA XSR700/XTRIBUTE /XSR900**  
 - MOUNTING INSTRUCTIONS -



- HANDGUARDS FOR -  
**YAMAHA MT-07/MT-09/SP /MT-10/SP – YAMAHA XSR700/XTRIBUTE /XSR900**  
 - MOUNTING INSTRUCTIONS -

