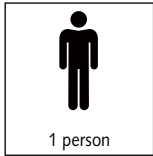
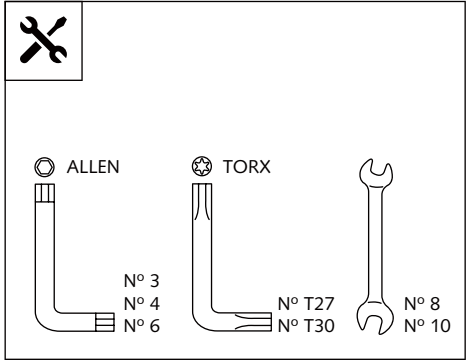


## LICENSE SUPPORT FOR BMW R1200R/RS '15



















**Ref.: 8541N**



THE ORIGINAL BMW CASES ARE ONLY COMPATIBLE WITH PUIG TURN SIGNALS OF 70MM OR LESS ON LENGTH.

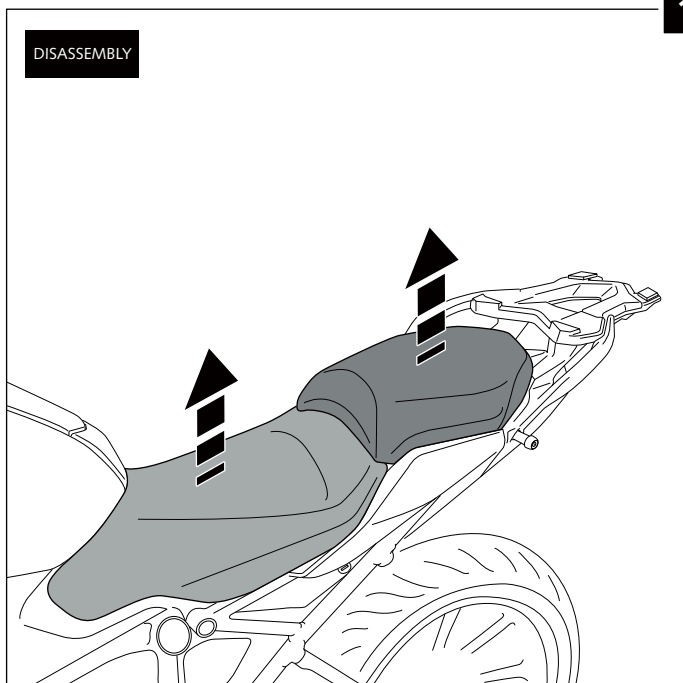
 Electrical installation  
 50 min  
 Easy  
 Intermediate  
 Difficult

ID.	PART	DESCRIPTION	QTY.
1		Plastic cover	1
2		Metal support	1
3		License support ensemble	1
4		Light reflector (supplied mounted in support n°3)	1
5		M6 Caged Nut (supplied mounted in support n°2)	2
6		M5 Silentblock	2
7		M5x20 ISO 7380 Allen Screw (black)	2
8		M6x10 ISO 7380 Allen Screw (black)	2
9		M6x16 ISO 7380 Allen Screw (black)	4
10		M5x10 ISO 7380 Allen Screw (black)	1
11		M6 metal washer (black)	4
12		M6 Block nut	4
13		M5 Block nut	1
14		Silentblock	2
15		Bush with flange	2
16		M8x20 DIN 912 Allen Screw	2

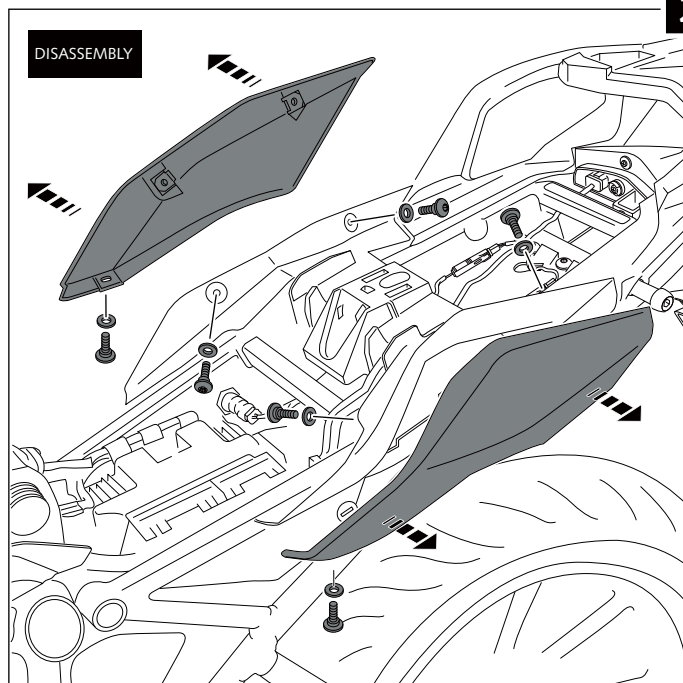
## LICENSE SUPPORT FOR BMW R1200R/RS '15

### MOUNTING INSTRUCTIONS

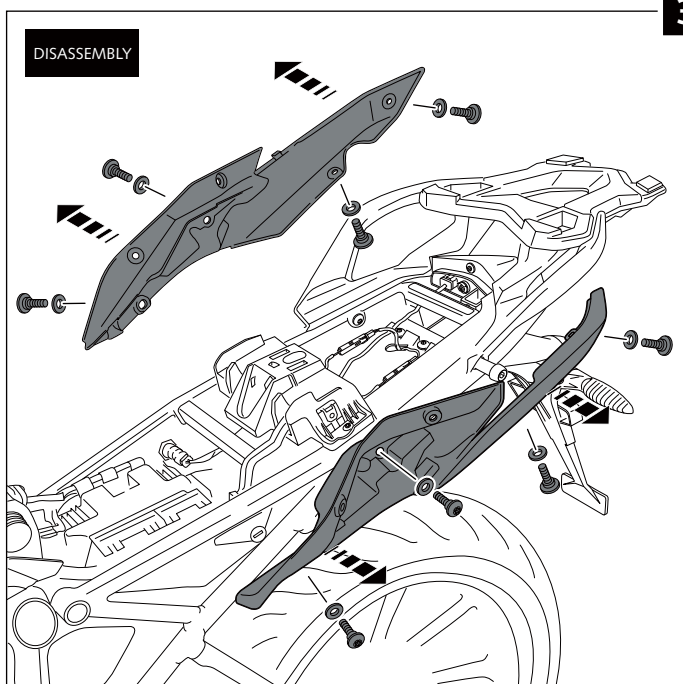
1



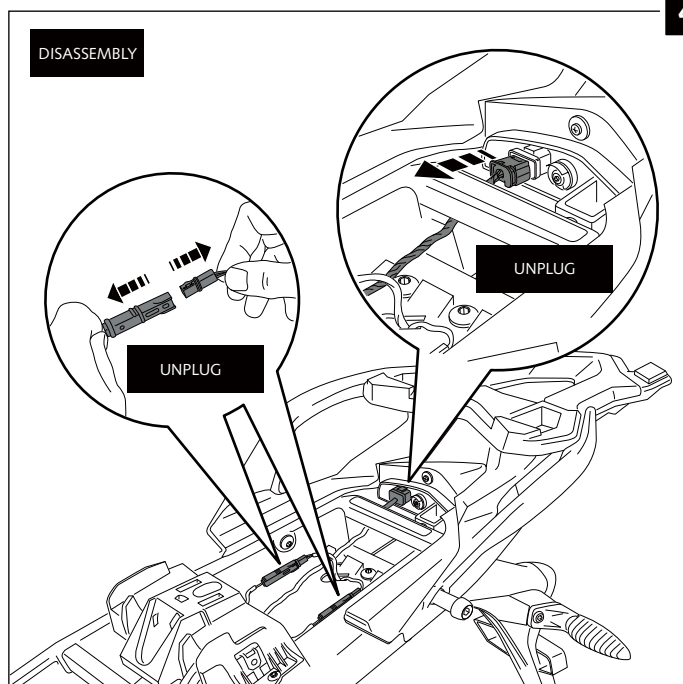
2



3



4

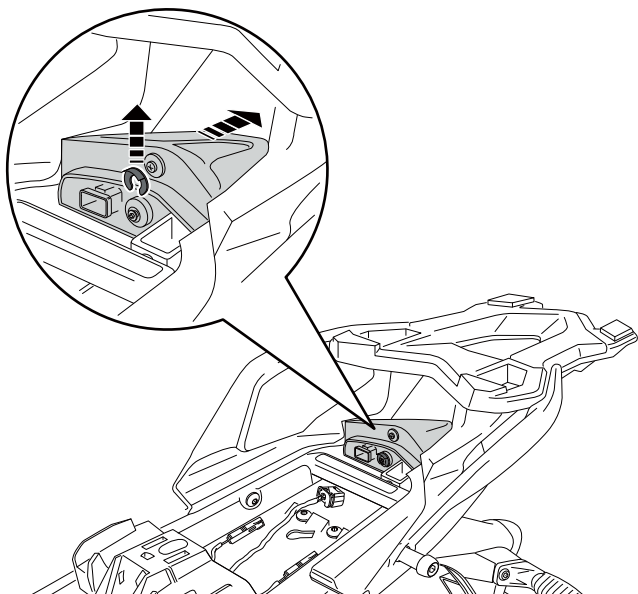


## LICENSE SUPPORT FOR BMW R1200R/RS '15

### MOUNTING INSTRUCTIONS

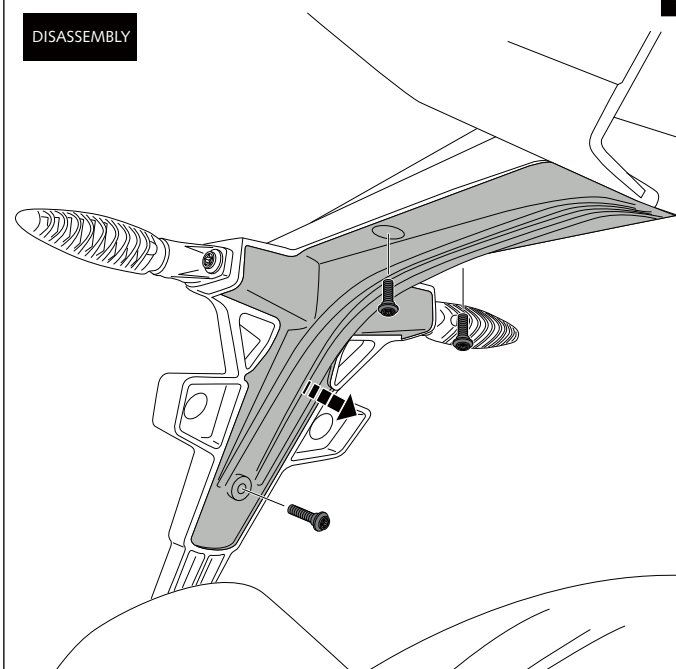
5

DISASSEMBLY



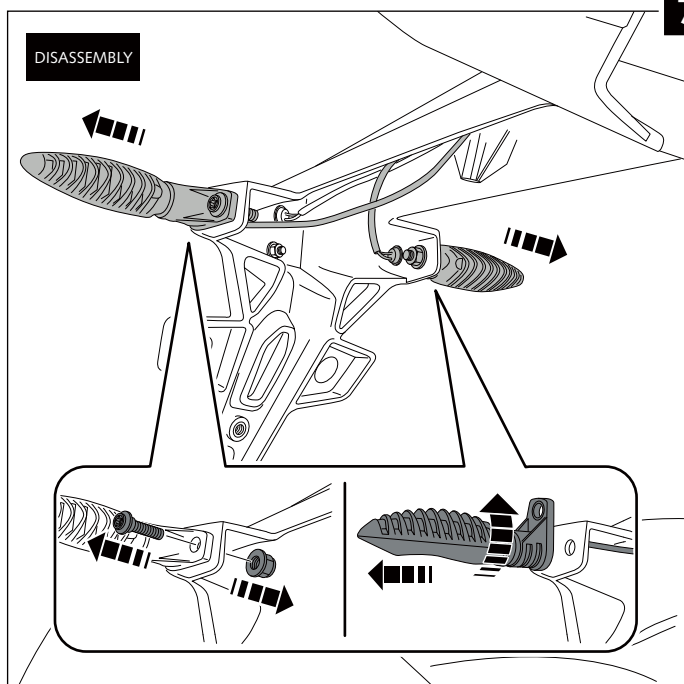
6

DISASSEMBLY



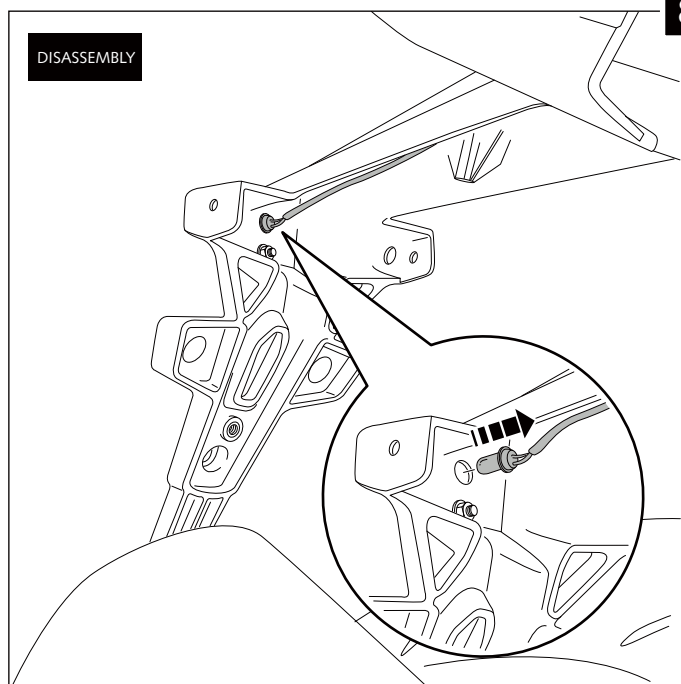
7

DISASSEMBLY



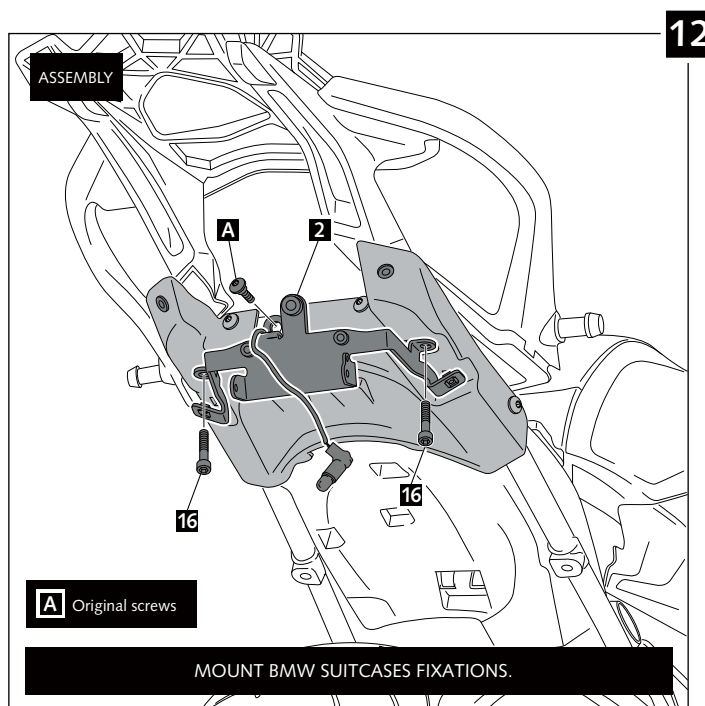
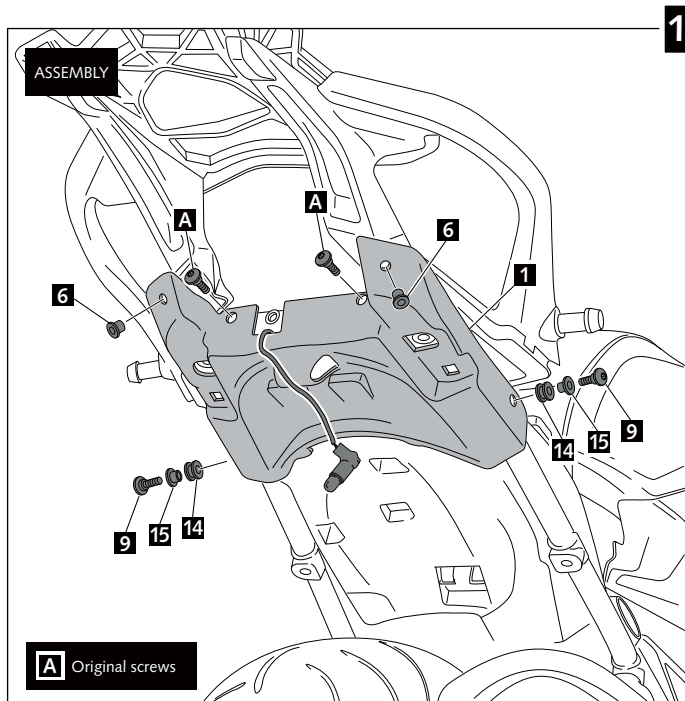
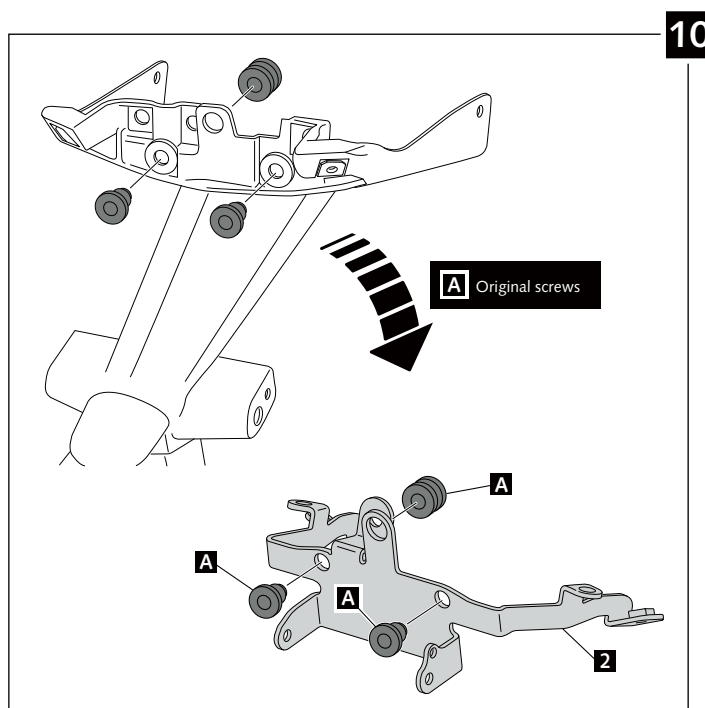
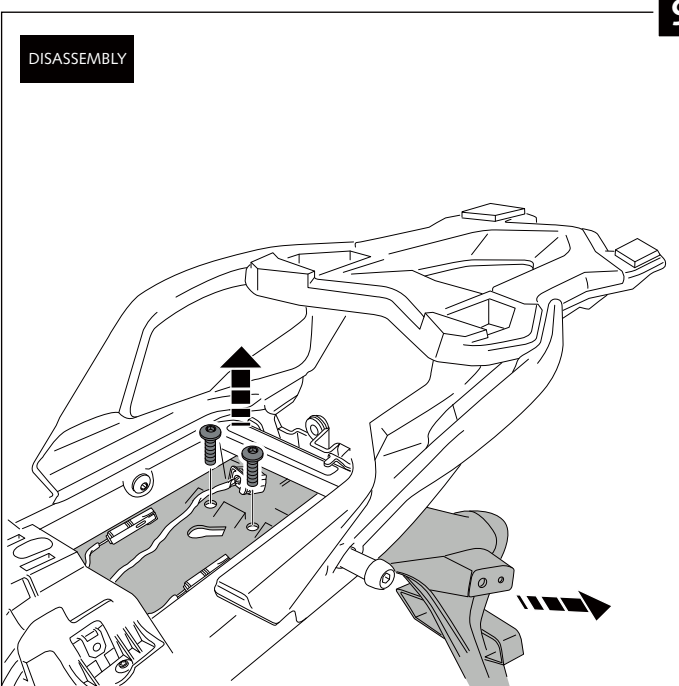
8

DISASSEMBLY



## LICENSE SUPPORT FOR BMW R1200R/RS '15

### MOUNTING INSTRUCTIONS

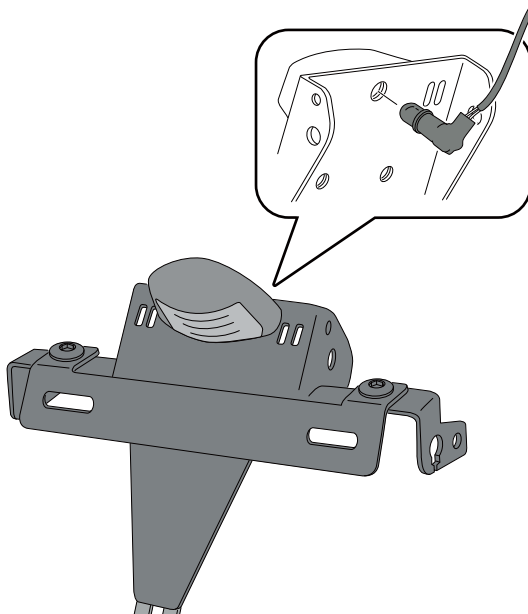


## LICENSE SUPPORT FOR BMW R1200R/RS '15

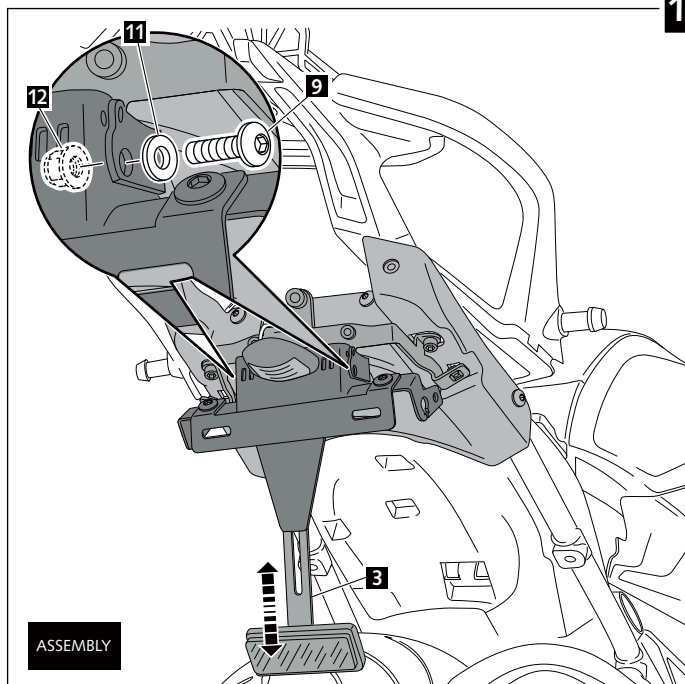
### MOUNTING INSTRUCTIONS

13

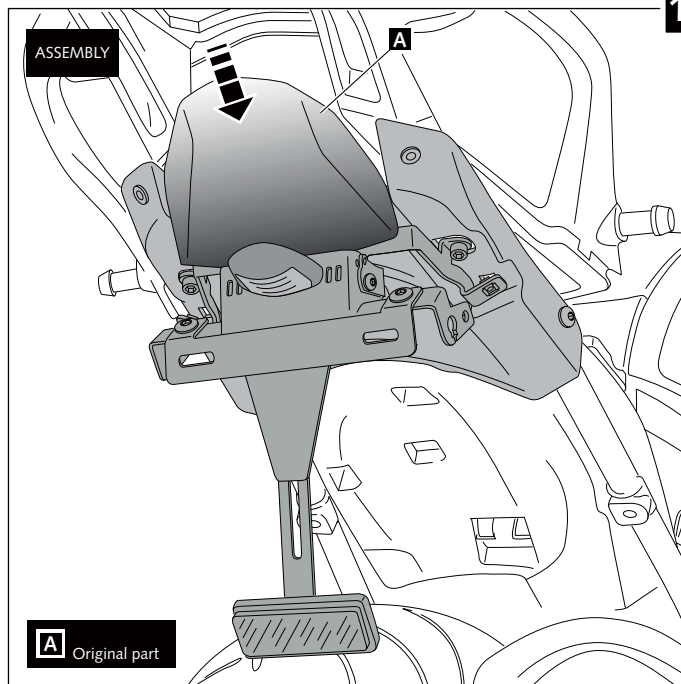
INSTALLATION WITH THE ORIGINAL BMW LICENSE'S LIGHT



14



15

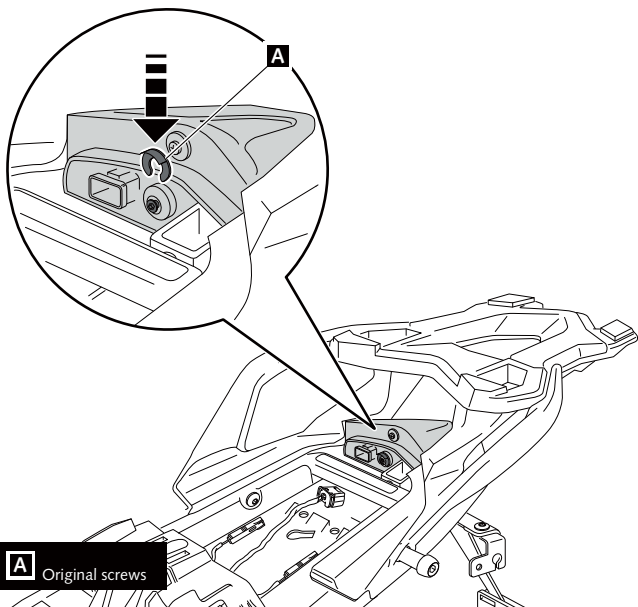


## LICENSE SUPPORT FOR BMW R1200R/RS '15

### MOUNTING INSTRUCTIONS

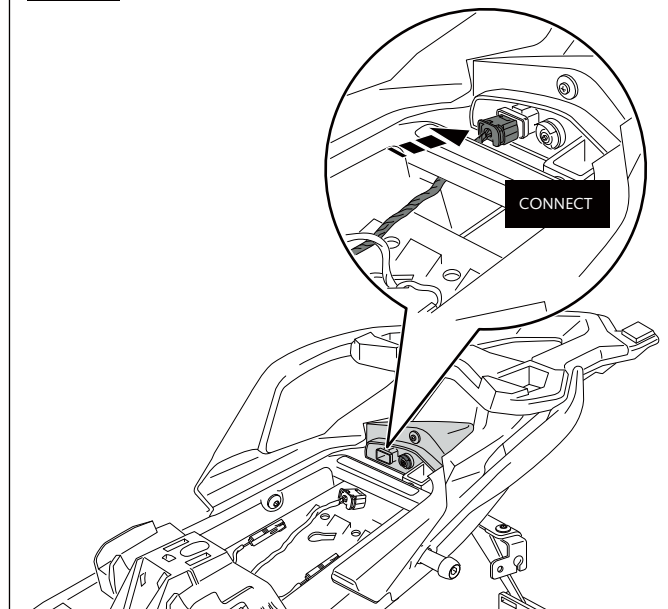
16

ASSEMBLY

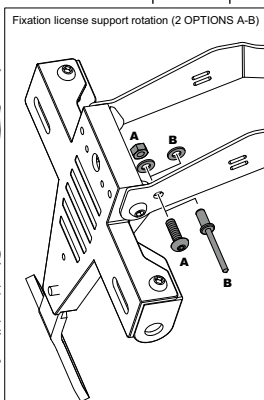
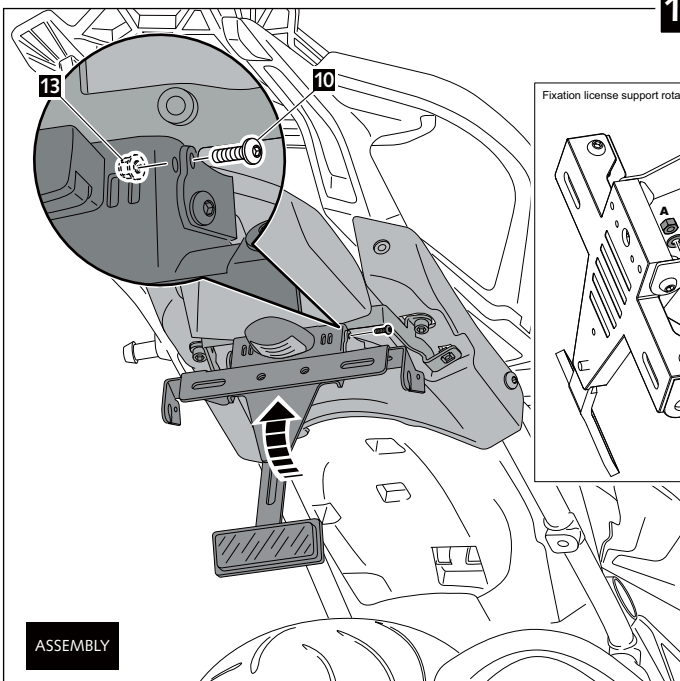


17

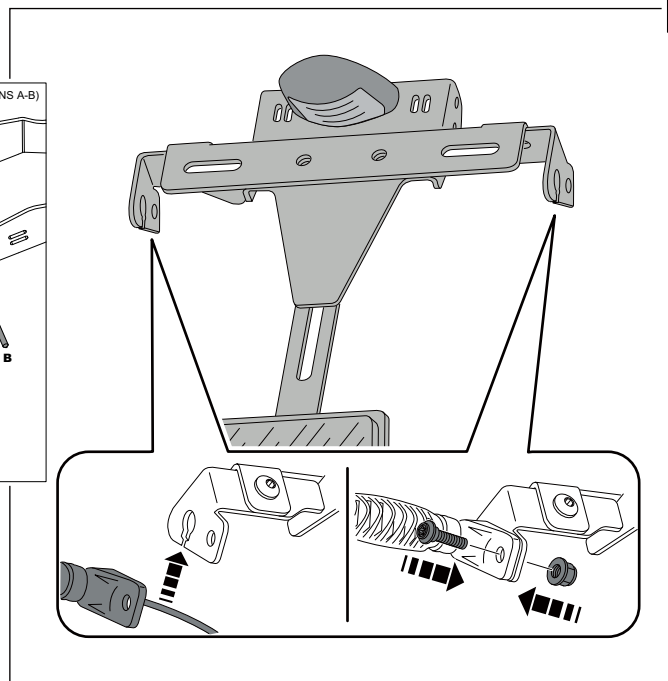
ASSEMBLY



18



19



## LICENSE SUPPORT FOR BMW R1200R/RS '15

### MOUNTING INSTRUCTIONS

