



**REAR-AXLE SLIDERS ADAPTABLE TO:
YAMAHA MT09 '13 '16
YAMAHA XSR 900**

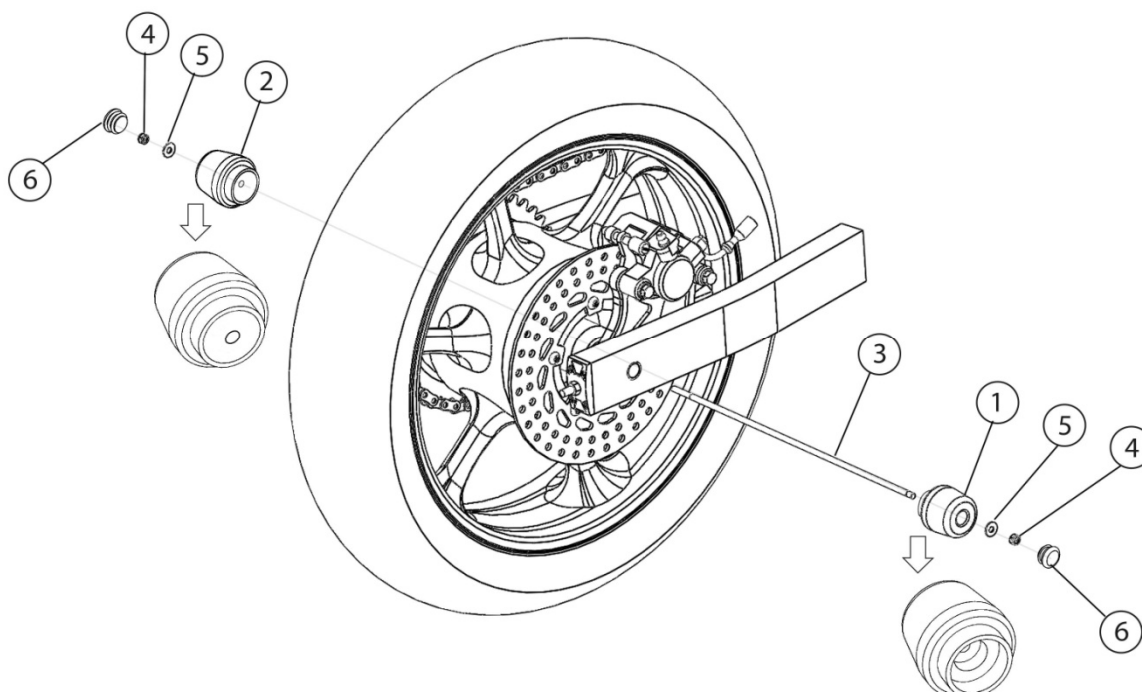
REF: 8534N

MOUNTING INSTRUCTIONS

- 1) Remove the slider (1) from the set supplied.
- 2) Without removing the other slider (2), place the rod (3) through the axle from the right side.
- 3) Mount the slider (1), fastening the set with the washer (5) and nut (4).

Material supplied:

ID.	DESCRIPTION	QTY.
1	Left Slider	1
2	Right Slider	1
3	Rod	1
4	M6 nut DIN985	2
5	M6 washers DIN125	2
6	Caps with color rings Blue-Red-Gold-Silver	8



Puig provides the best motorcycle frame and body.