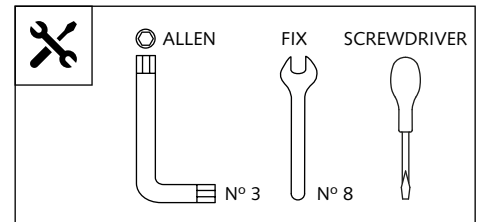


HANDSGUARDS FOR

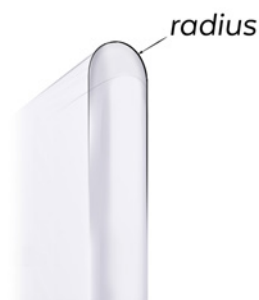
YAMAHA T-MAX 530 '12- / T-MAX 560 '20-

Ref.: 8200



ID.	PART	DESCRIP.	QTY.	REF.
1		Right handguard	1	8200H/F/WM3
2		Left handguard	1	8200H/F/WM3
3		Right metal support	1	SOPOR-2P-8-8200
4		Left metal support	1	SOPOR-2P-8-8200
5		M6x16 special screw	2	TORNI-E-----756
6		M5x2 rubber washer	6	ARAND-EPDM--722
7		M5x11 ISO7380 allen screw	6	TORNI-AI-----520

ID.	PART	DESCRIP.	QTY.	REF.
8		M5x0,5 Nylon washer	6	ARNV00000000245
9		M6 locking nut	2	TUZBM6000000024
10		M5 ISO 7380 screw cap	6	TAPON____85

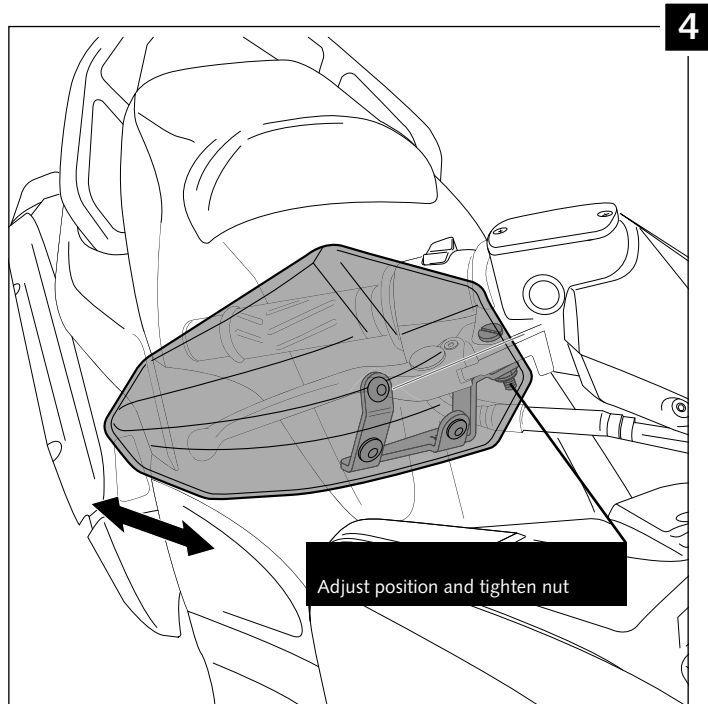
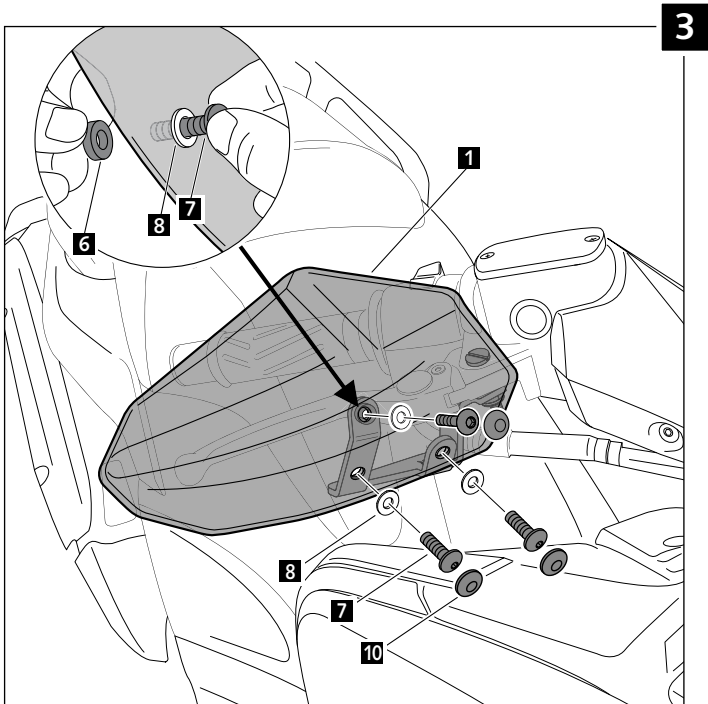
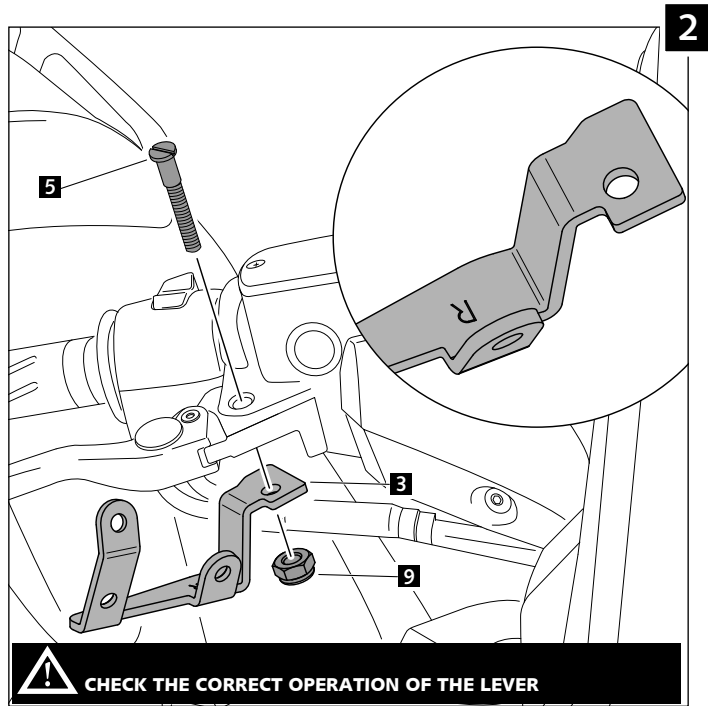
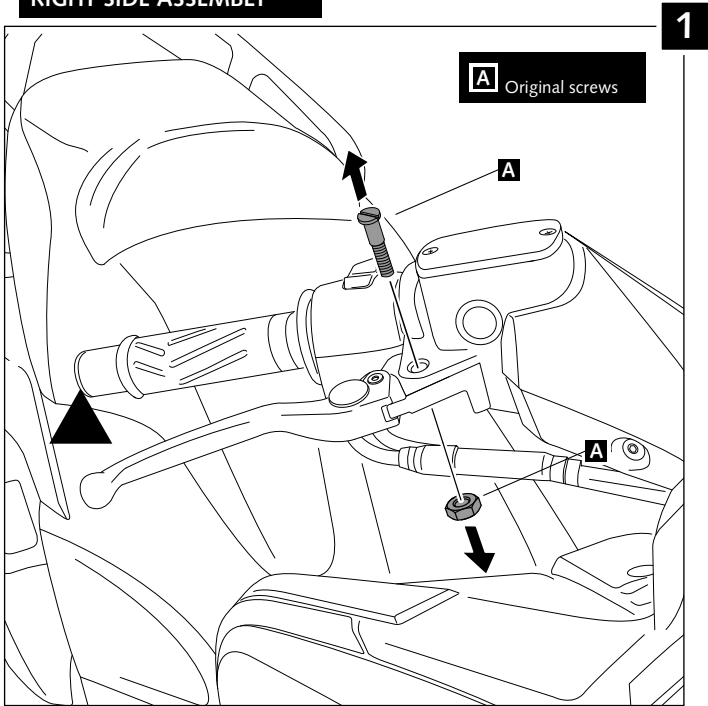


ROUNDED CONTOUR-PROFILE

- HANDGUARDS FOR - YAMAHA T-MAX 530 '12- / T-MAX 560 '20-

- MOUNTING INSTRUCTIONS -

RIGHT SIDE ASSEMBLY



- HANDSGUARDS FOR -
YAMAHA T-MAX 530 '12- / T-MAX 560 '20-

- MOUNTING INSTRUCTIONS -

LEFT SIDE ASSEMBLY

