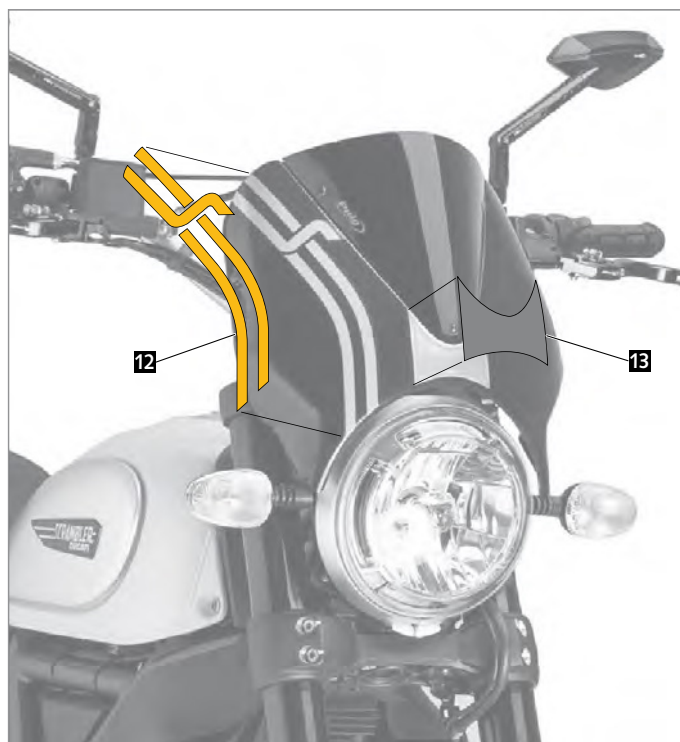
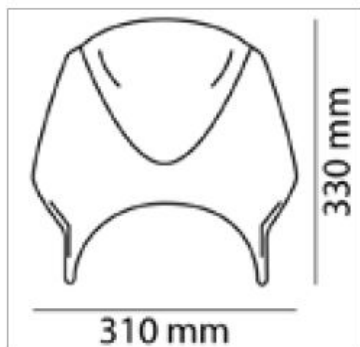


MOUNTING INSTRUCTIONS

WINDSHIELD FOR  
**DUCATI SCRAMBLER**



ID.	PART	DESCRIPTION	QTY.
1		Screen	1
2		Fairing	1
3		Right metal support	1
4		Left metal support	1
5		Ø inner 8,5 x Ø outer 13x15 mm arrowhead	2
6		DIN 912 M8x45 Allen screw	2
7		M5x11 ISO 7380 Allen screw	4
8		M5x0,5 nylon washer	7
9		M5x4 rubber washer	4
10		M5 silentblock	3
11		M5x16 ISO 7380 Allen screw	3
12		Vinyl tricolor sticker	1
13		Resin silver sticker	1
14		I7380 Screw Cap	7



2 fixing points

