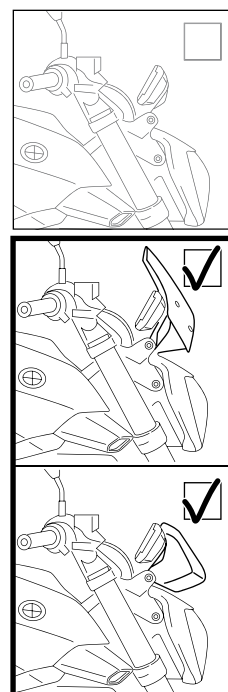
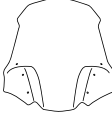




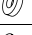
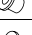




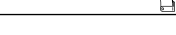


MOUNTING INSTRUCTIONS

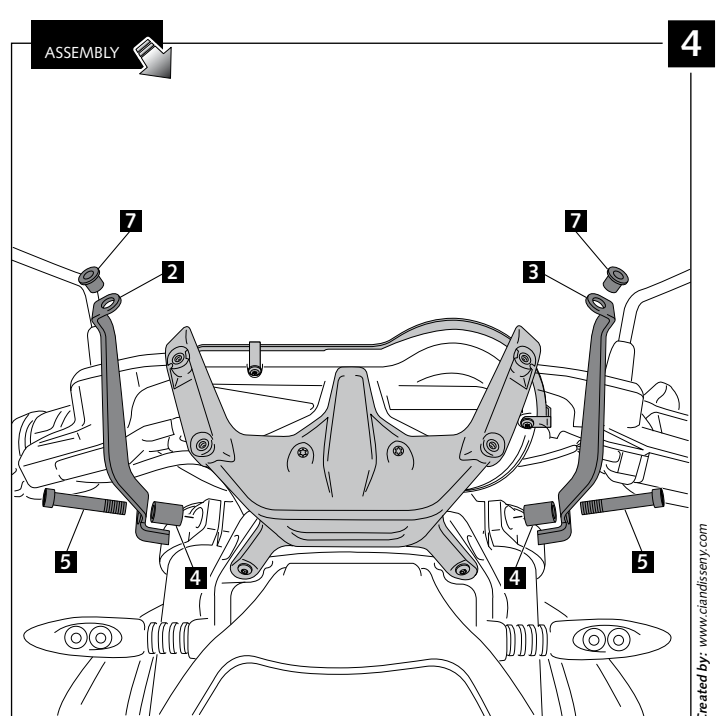
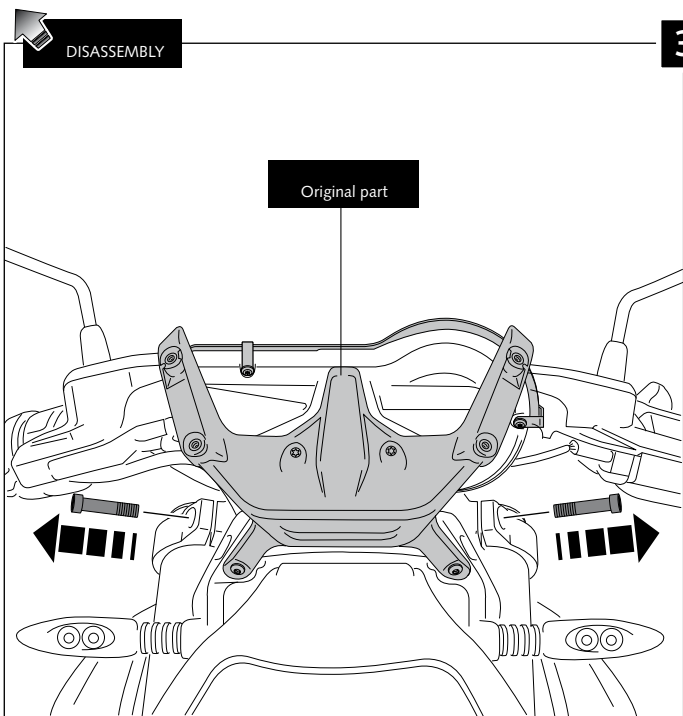
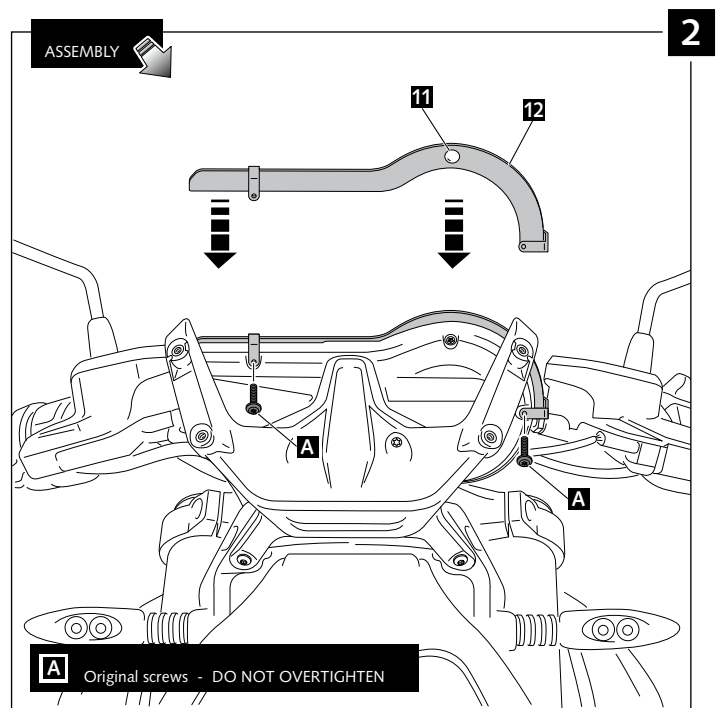
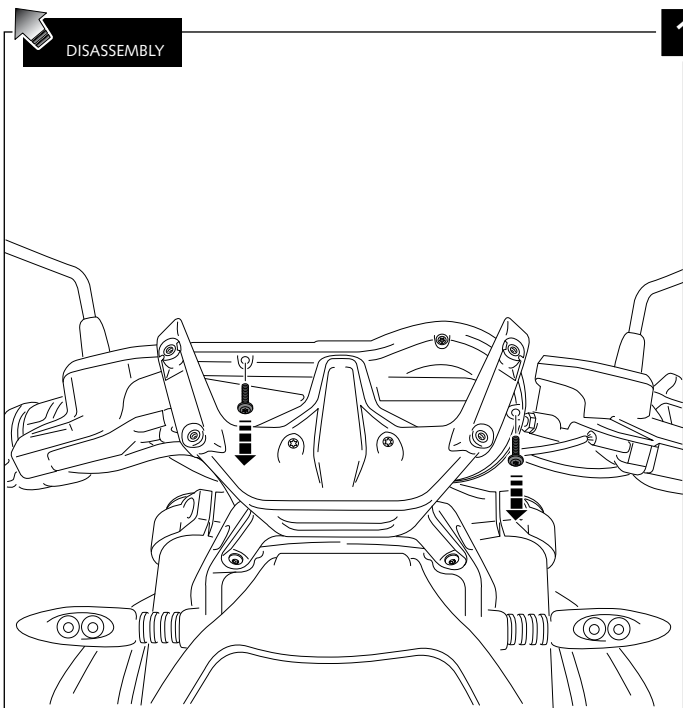
TOURING WINDSHIELD FOR  
BMW R1200R '15 -



ID	PART	DESCRIPTION	QTY	REF.
1		Touring windshield	1	8165F/H/N/WM3
2		Right metal support	1	SOPOR-2P-4-8165
3		Left metal support	1	SOPOR-2P-4-8165
4		Ø inner 8,5 x Ø outer 14x12 mm arrowhead	2	CASQUI-----0083
5		DIN 912 M8x45 (black) Allen screw	2	TORNI-AD912-508
6		M5x4 rubber washer	4	ARAND-GD13D5X4-
7		M5 Silentblock	2	SILENBTM5-046/1
8		M5x0,5 nylon washer	6	ARNV00000000245
9		M5x16 ISO 7380 (black) Allen screw	6	TORNI-I7380-493
10		M5 ISO 7380 Allen screw cap	4	TAPON_____85
11		Ø8x2 Silicon adhesive spacer (supplied mounted)	1	ADHESI-GT-D8---
12		Metal visor (visor to avoid magnifying glass effect)	1	VISERA1P-3-8165

## MOUNTING INSTRUCTIONS

### TOURING WINDSHIELD FOR BMW R1200R '15 -

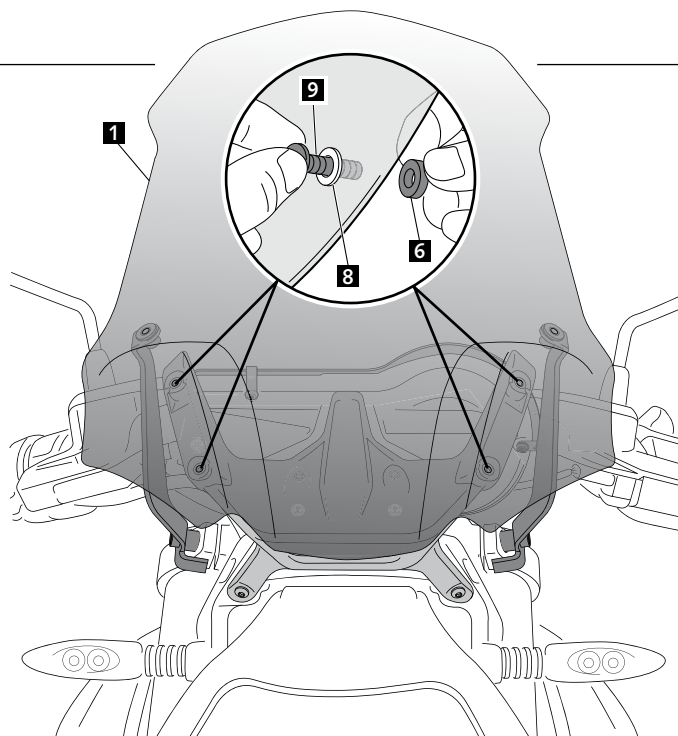


MOUNTING INSTRUCTIONS

TOURING WINDSHIELD FOR  
BMW R1200R '15 -

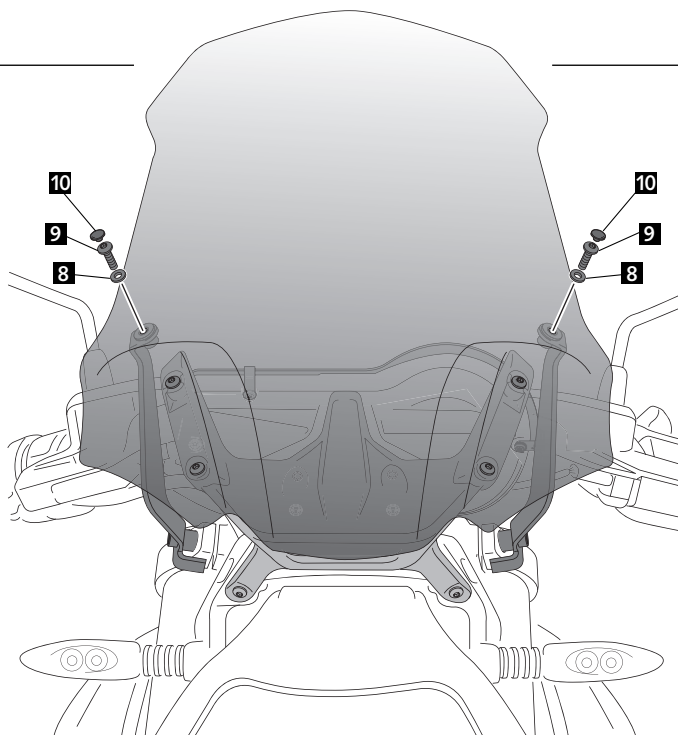
MONTAJE  
ASSEMBLY

5



MONTAJE  
ASSEMBLY

6



## TIPS FOR A CORRECT WINDSCREEN ASSEMBLY

Due to storage and transport processes of the windscreens, which are subjected to positions and temperature changes out of our control, this may produce small deformations on the material causing some difficulties on the mounting process. It is recommended to:

- 1- Place the screws on one side without tighten all the way.
- 2- Stretch the windscreen to the other side (see Fig. 1). The flexibility of the material allows this stretch with no risk of breaking or cracking.
- 3- Place the screws without tightening all the way.
- 4- Tighten progressively all the screws.

