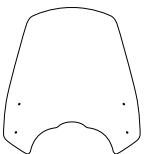




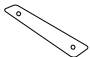






MOUNTING INSTRUCTIONS

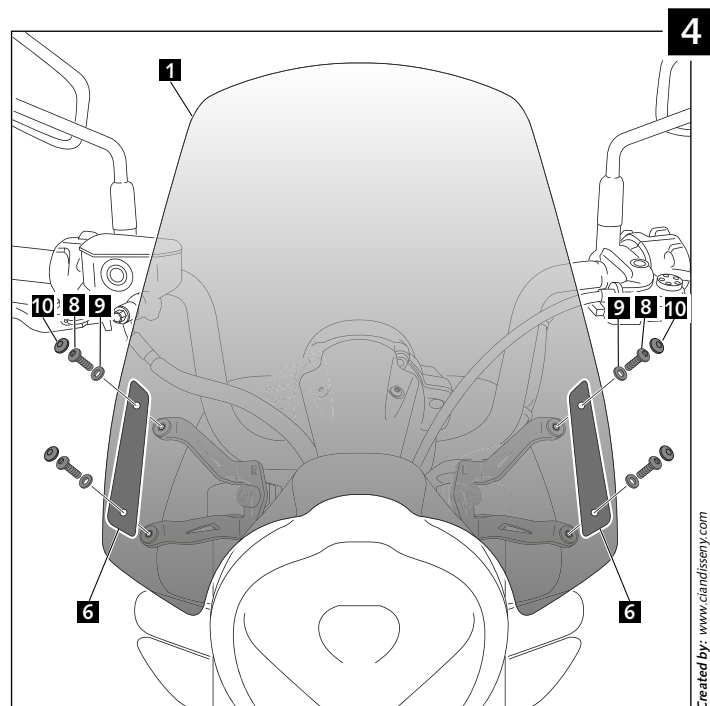
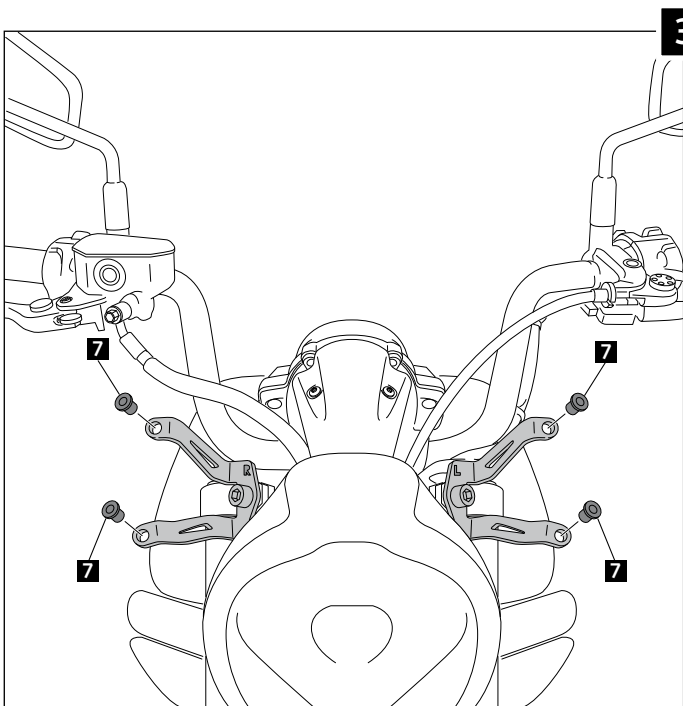
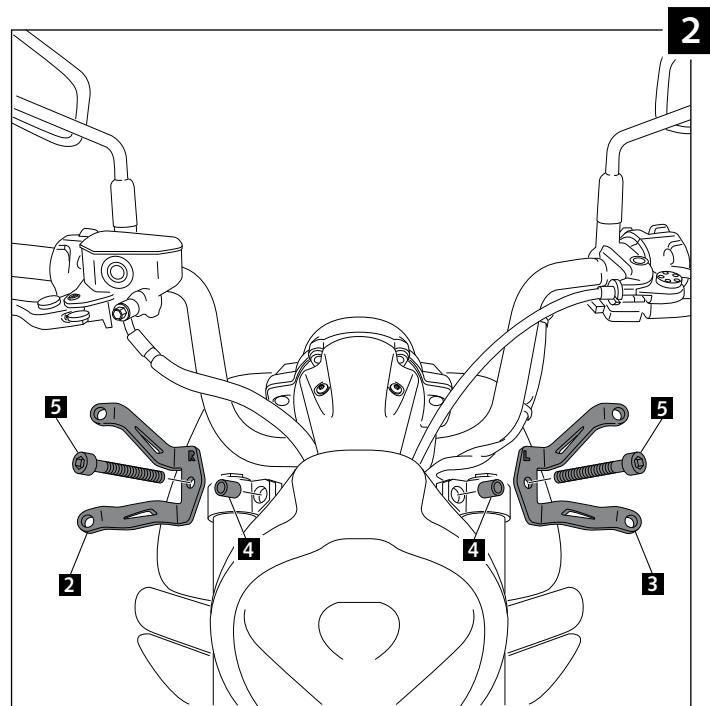
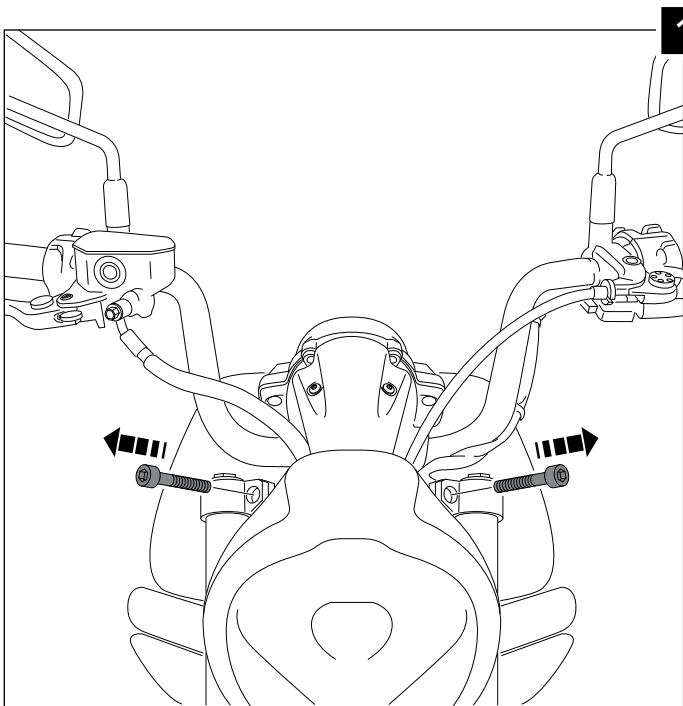
**WINDSHIELD FOR
 KAWASAKI VULCAN S**



ID.	PIEZA / PART	DESCRIPTION	QTY.
1		Windshield	1
2		Right metal support	1
3		Left metal support	1
4		Ø inner 8,5 x Ø outer 14x12 mm arrowhead	2
5		DIN 912 M8x50 (black) Allen screw	2
6		Exterior metallic cover	2
7		M5 Silentblock	4
8		M5x16 ISO 7380 (black) Allen screw	4
9		M5x0,5 nylon washer	2
10		M5 ISO 7380 screw cap	4

MOUNTING INSTRUCTIONS

WINDSHIELD FOR KAWASAKI VULCAN S



TIPS FOR A CORRECT WINDSCREEN ASSEMBLY

Due to storage and transport processes of the windscreens, which are subjected to positions and temperature changes out of our control, this may produce small deformations on the material causing some difficulties on the mounting process. It is recommended to:

- 1- Place the screws on one side without tighten all the way.
- 2- Stretch the windscreen to the other side (see Fig. 1). The flexibility of the material allows this stretch with no risk of breaking or cracking.
- 3- Place the screws without tightening all the way.
- 4- Tighten progressively all the screws.

