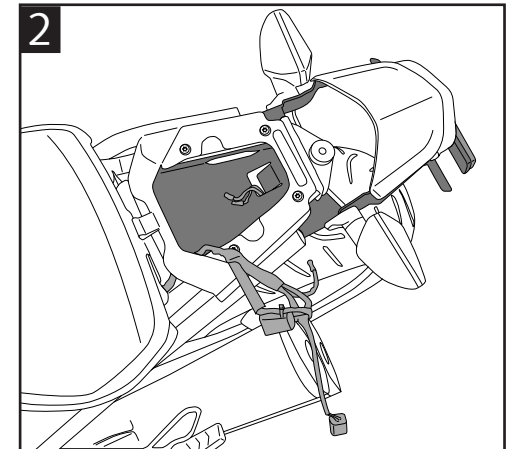
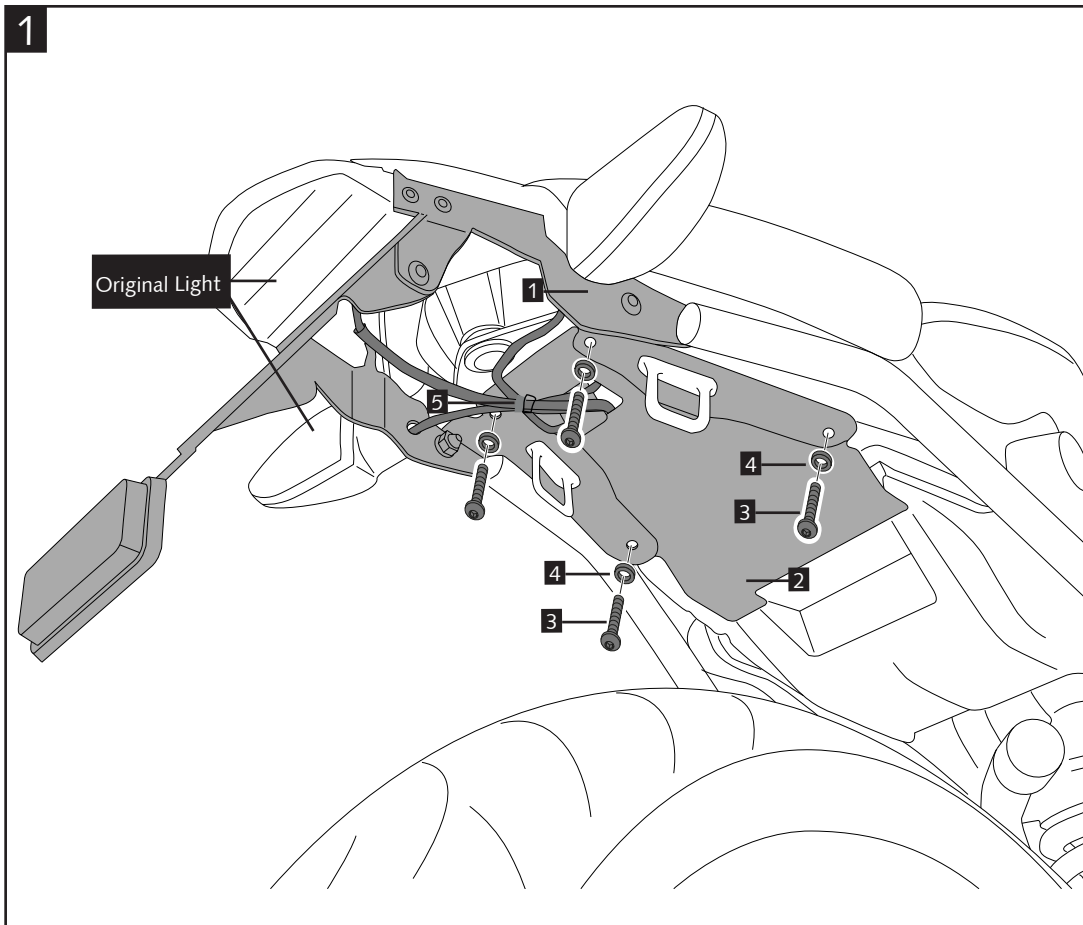


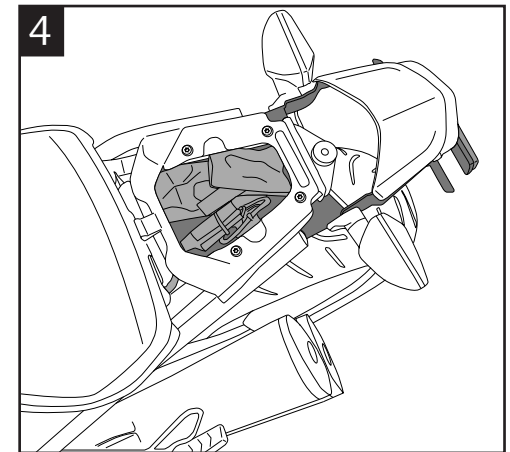
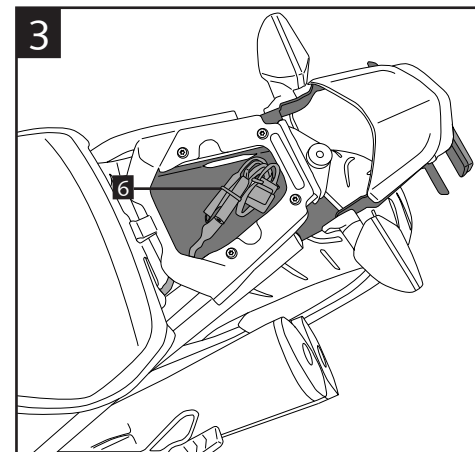
LICENSE SUPPORT FOR

BMW R NINE T 14' - / PURE 17' - / SCRAMBLER 16' -

Ref.: 8152N



During assembly of the License Support leave the electrical installation as illustrated.



D.	DESCRIPTION	QTY.
1	License support	1
2	Metallic cap	1
3	Black M5x15 screw DIN1001	4
4	Black M5 washer DIN9021	4
5	Plastic ziptides 2,5 x 100	4
6	Plastic ziptides 3,6 x 140	2
7	Reflector	1

It would be convenient to re-tight the licence support screws, specially the ones that are fixed to the motorcycle, whenever you maintain the vehicle.

Thanks for your attention.