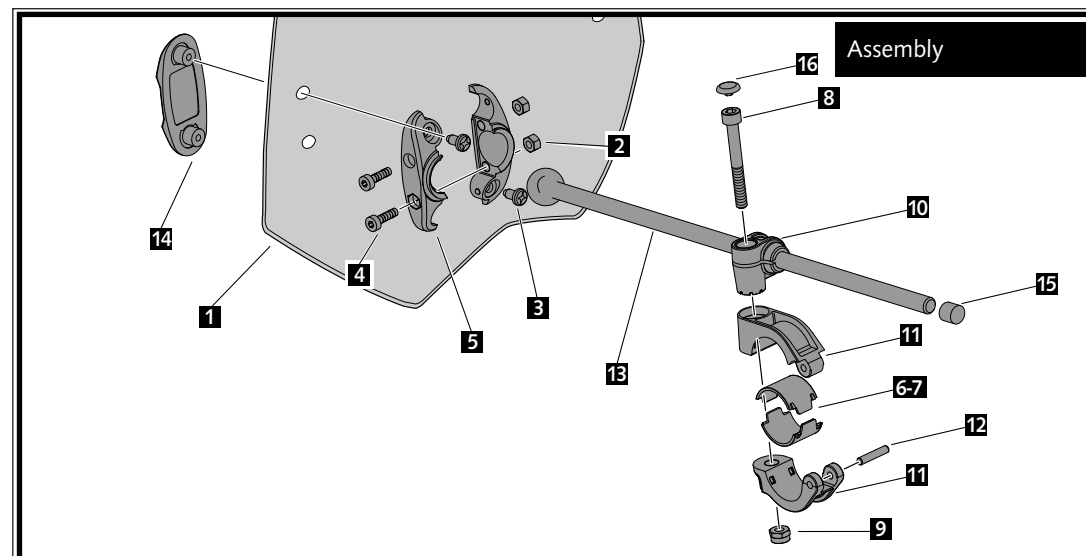


## UNIVERSAL WINDSHIELD BAT MODEL

Ref.: 8088

ID.	DESCRIPTION	QTY.
1	Windshield	1
2	M5 DIN982 nut	4
3	M5x13 phillips screw	4
4	M5x20 DIN912 screw	4
5	Ball bearing bridle	2
6	Medium-spacer Ø22mm	2
7	Medium-spacer Ø26mm	2
8	M8x55 DIN912 Inox screw	2
9	M8 DIN985 Inox nut	2
10	Rod guide	2
11	Handlebar bridle Ø29mm	2
12	Barrette Inox	2
13	Rod with ball bearing	2
14	Exterior cap	2
15	Bar cover	2
16	M8 DIN912 screw cap	2





It would be convenient to re-tight the windshield screws, specially the ones that are fixed to the motorcycle, whenever you maintain the vehicle.

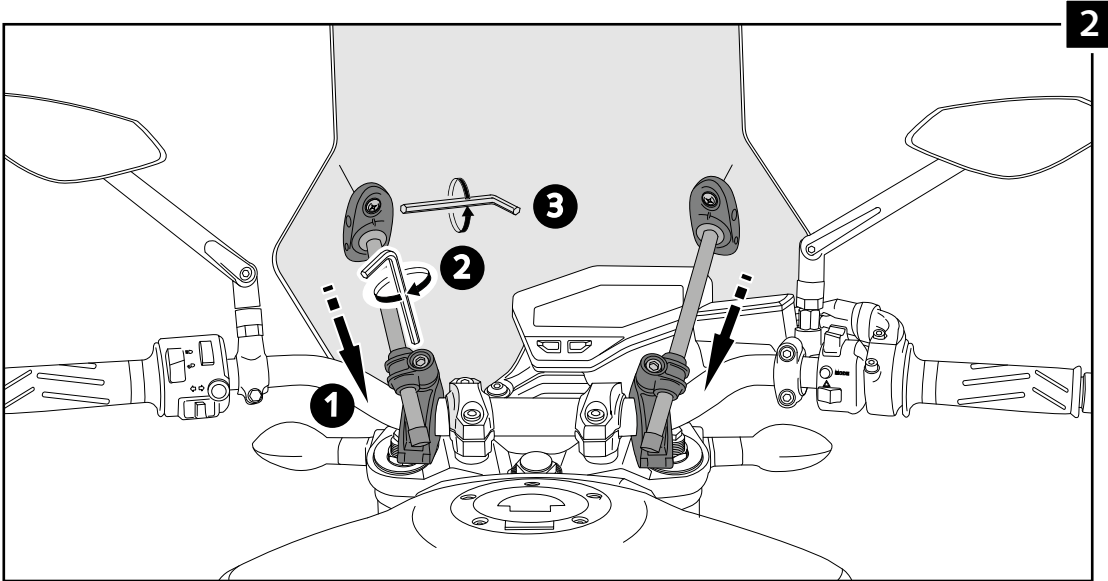
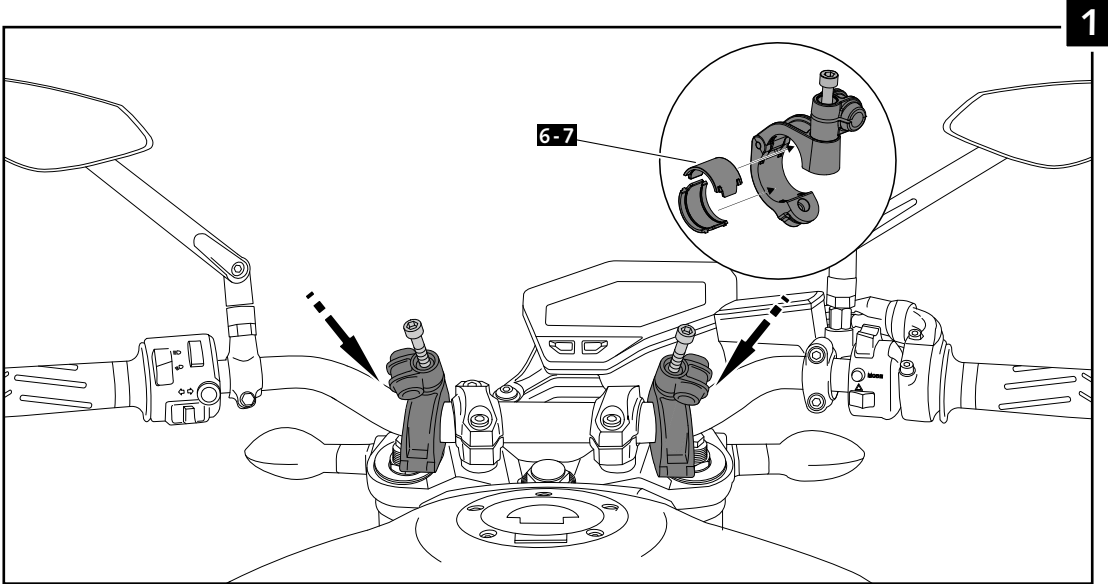
Thanks for your attention.

CONSULT OUR WEBSITE THE VIDEO MOUNT AVAILABILITY OF THIS REFERENCE

# MOUNTING INSTRUCTIONS

## UNIVERSAL TOURING SCREEN

Ref.: 8088



Learn more about motorcycle windshields and fairings we have.