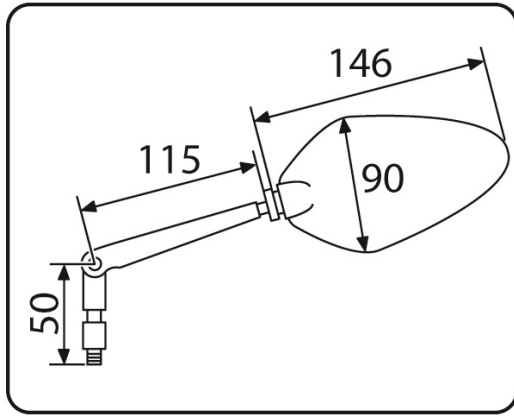
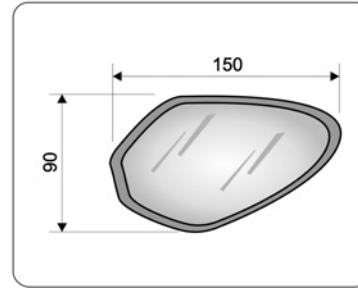


TECHNICAL FEATURES

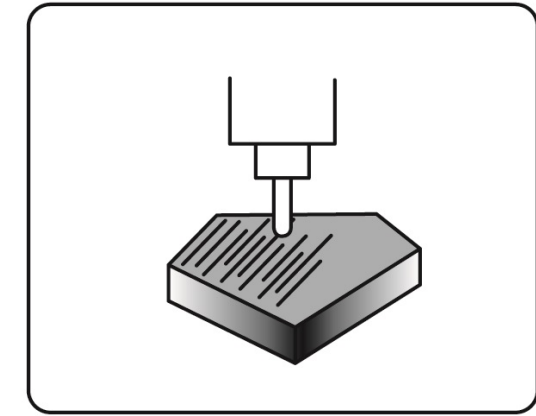


ADAPTABLE

A rod and adapters available for original fairing.

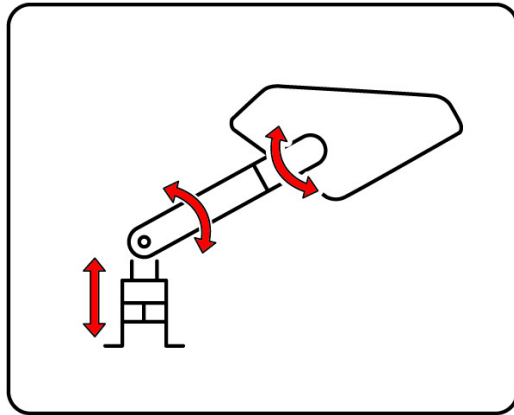


APPROVED



MATERIAL

Machined from an aluminum block and posterior anodized



ADJUSTABLE

Mirror inclination and height