

# HONDA CB125F '15 -

## M O U N T I N G I N S T R U C T I O N S

REF 7726

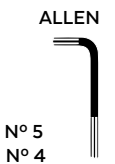
CARENABRÍS NEW GENERATION



HONDA CB125F 2015-2020



HONDA CB125F 2021



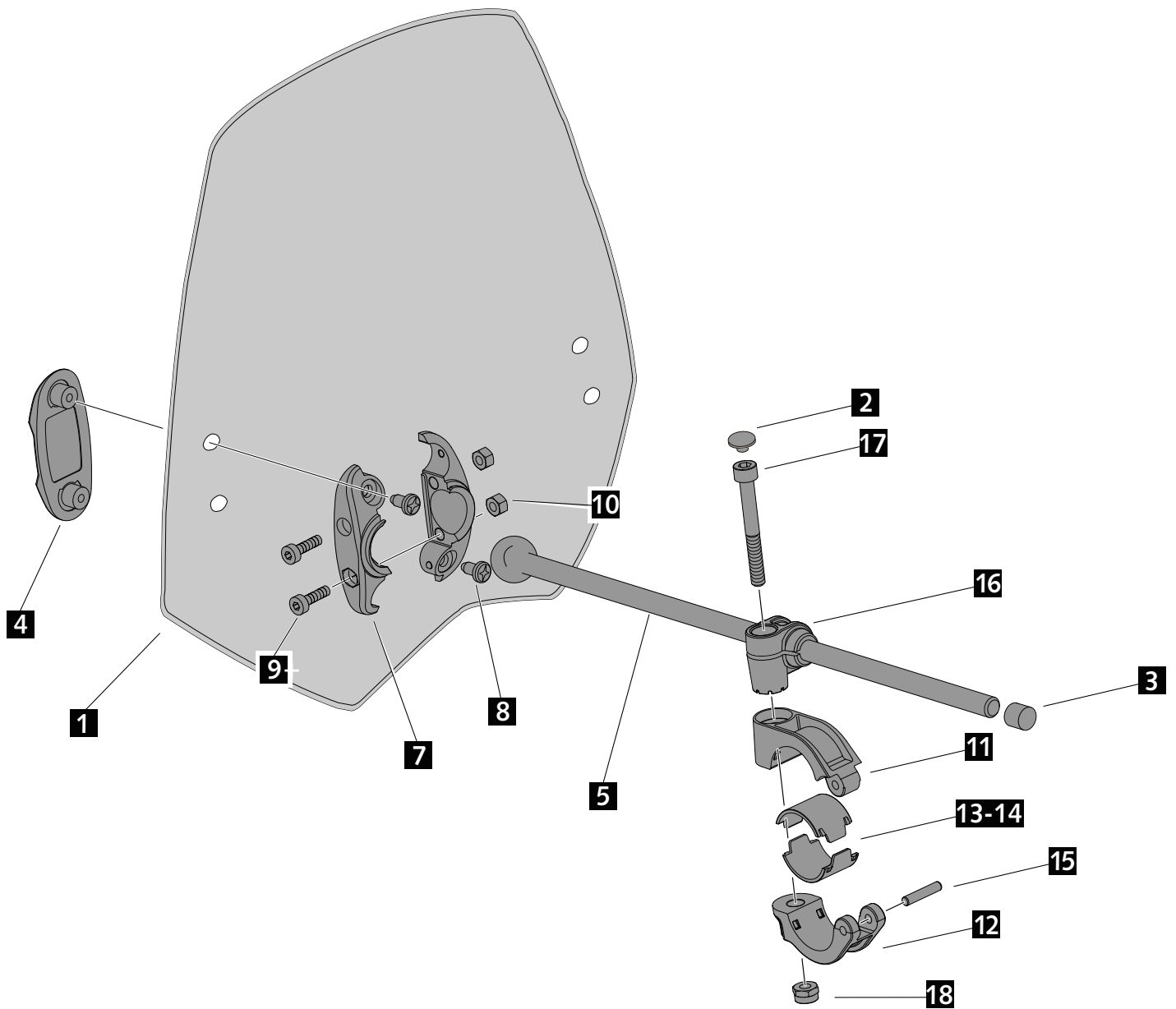
	PART	DESCRIPTION		
1		Screen	1	9376H/W/F/NM3
2		M8 DIN912 screw cap	2	TAPA--CHC11450E
3		Plastic cap	2	TOPEE-VPGT--8/4
4		Plastic cover	2	CONJU-S3PCC-003
5		Ø9x200 Bar	2	VARIL19X200-591
6		L ball joint bridle	2	BRIROT01-1-PR16
7		R ball joint bridle	2	BRIROT02-1-PR16
8		Ø5x10mm Philips screw	4	TORNIP510---233
9		M5x20 DIN912 Allen screw	4	TORNI-D912--748
10		M5 DIN982 self-locking nut	4	TUERCA-D982-746
11		Short semi-bridle	2	BRIDAANT-0-PR16
12		Large semi-bridle	2	BRIDAPOS-0-PR16
13		Semi-bridle arrowhead applicate the handlebar Ø26	2	CAS29-22-0-PR16
14		Semi-bridle arrowhead applicate the handlebar Ø22	2	CAS29-26-0-PR16
15		Ø4x20mm cross dowel pin	2	VARIL4X20--576
16		Dispstick bridle	2	FIXVARLL-0-PR16
17		M8x55 DIN912 Allen screw	2	TORNI-AD912--631
18		M8 self-locking nut	2	TUEA-D985.8-M8-

# HONDA CB125F '15 -

## MOUNTING INSTRUCTIONS

**1**

**ASSEMBLY**



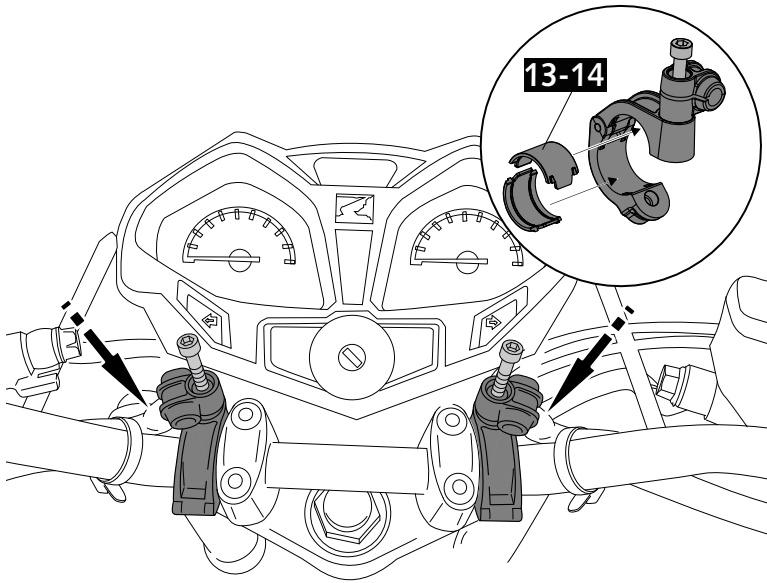
# HONDA CB125F '15 -

## MOUNTING INSTRUCTIONS

**2A**

ASSEMBLY

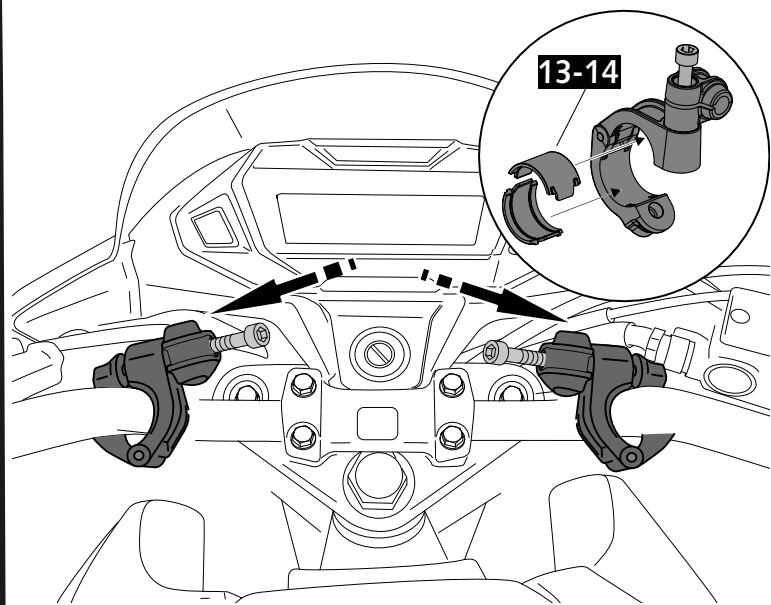
ASSEMBLY ONLY FOR HONDA  
**CB125F 2015-2020**



ASSEMBLY ONLY FOR HONDA  
**CB125F 2021**

**2B**

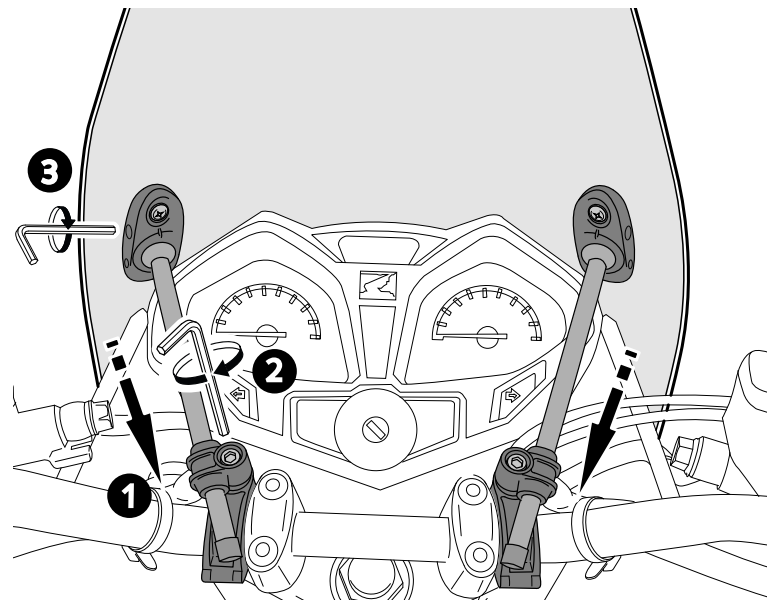
ASSEMBLY



**3A**

ASSEMBLY

ASSEMBLY ONLY FOR HONDA  
**CB125F 2015-2020**



ASSEMBLY ONLY FOR HONDA  
**CB125F 2021**

**3B**

ASSEMBLY

