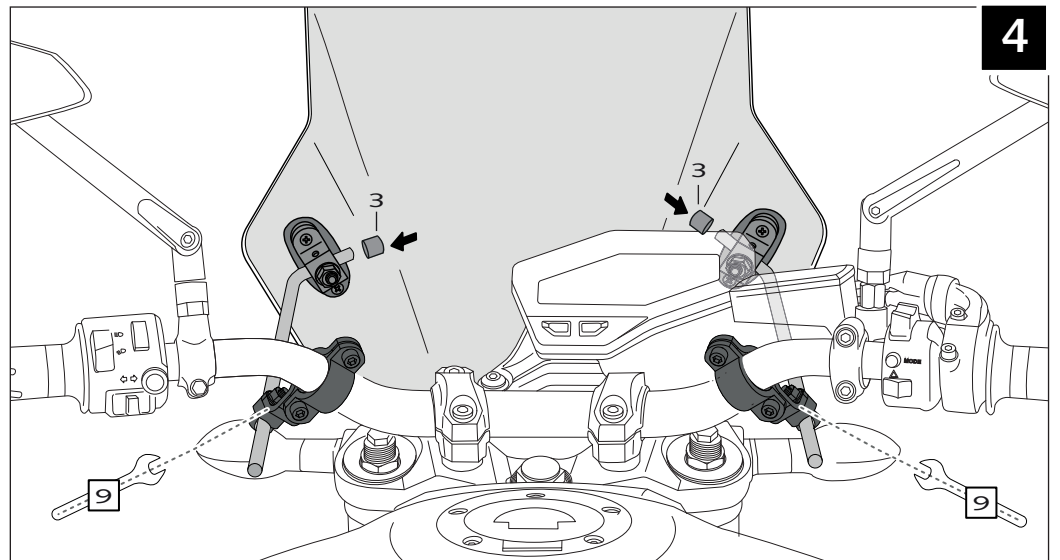
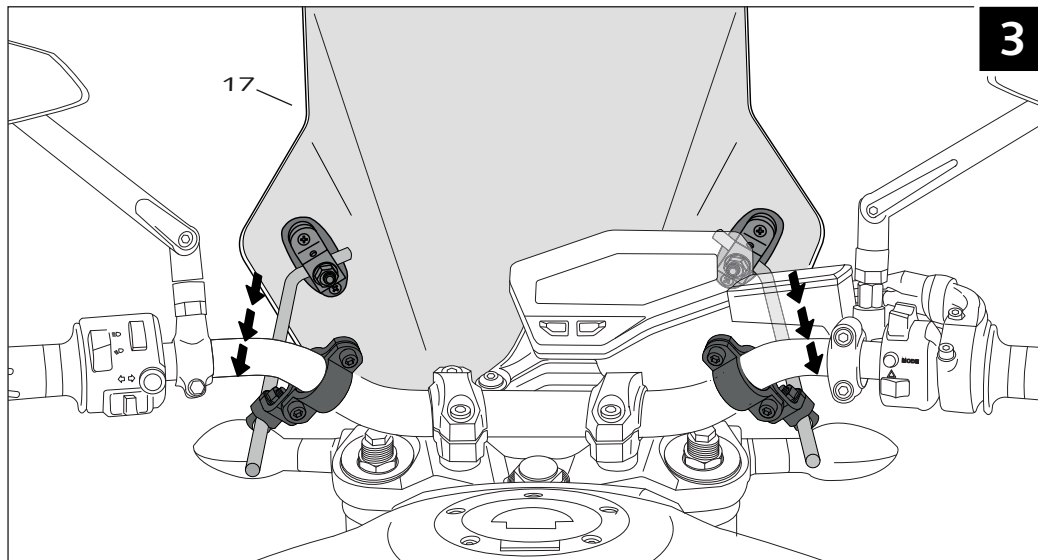
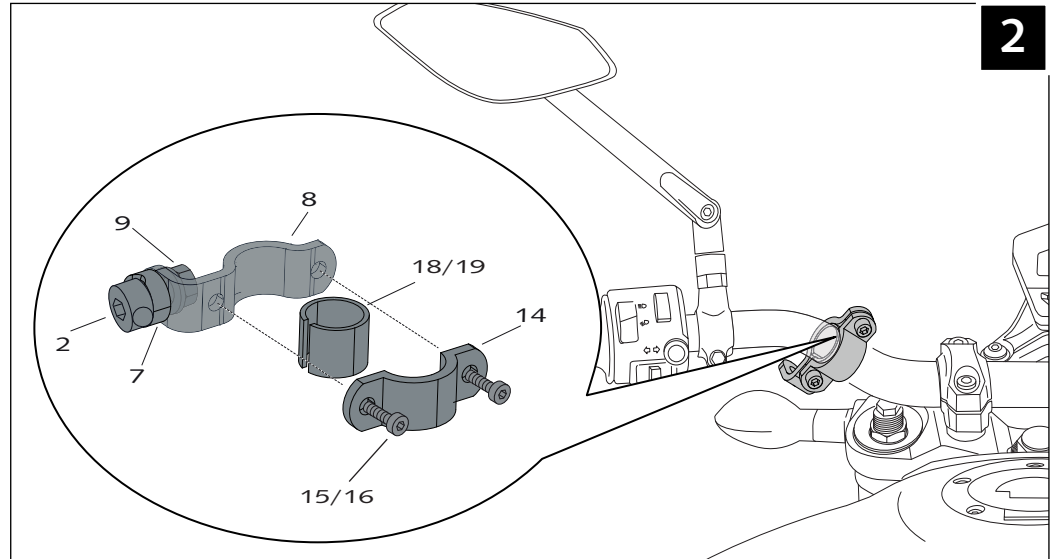
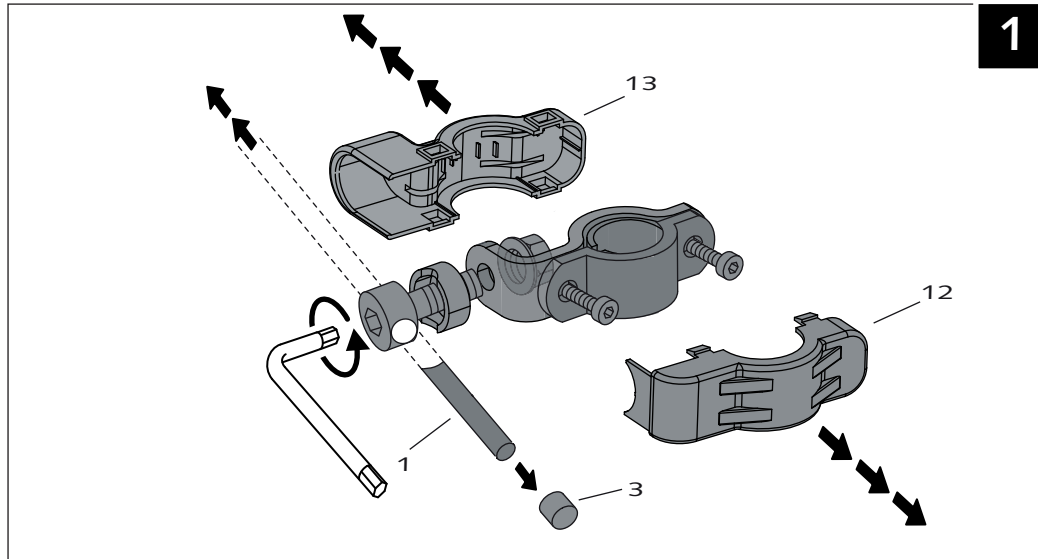


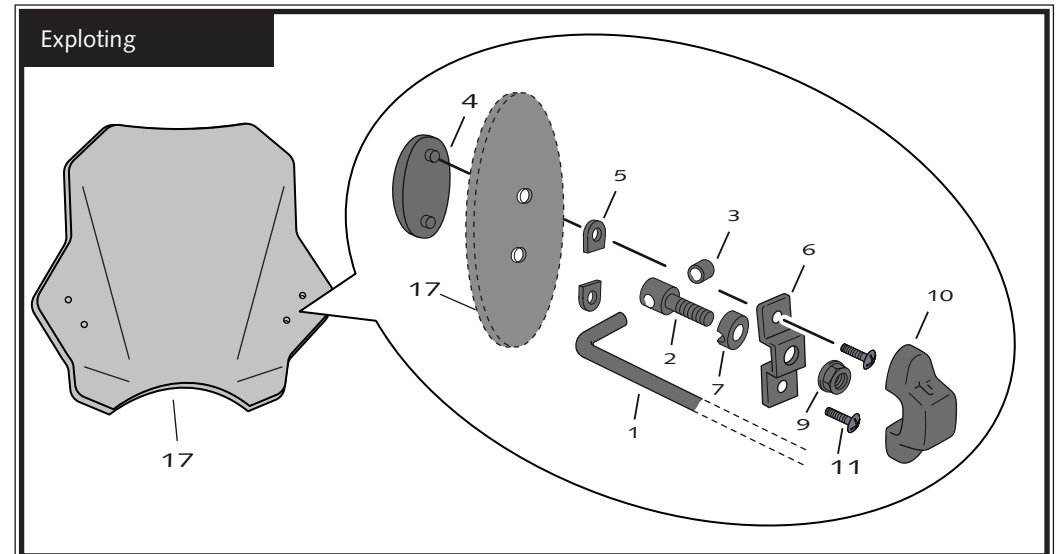
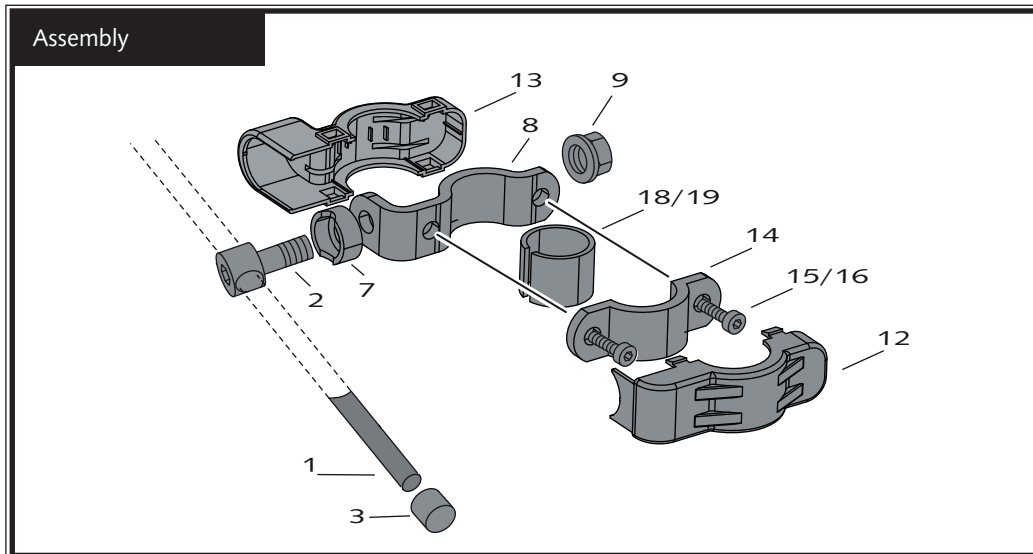
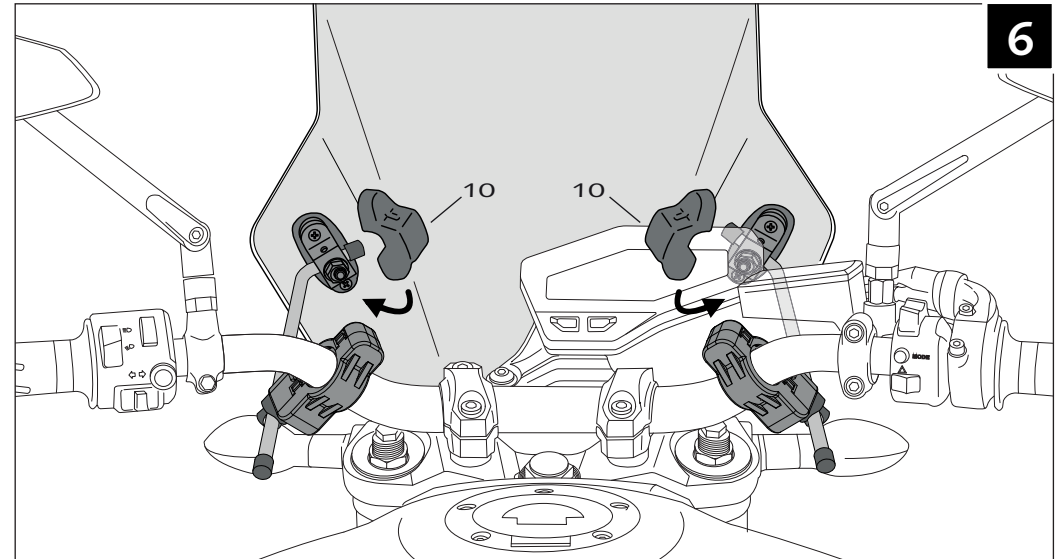
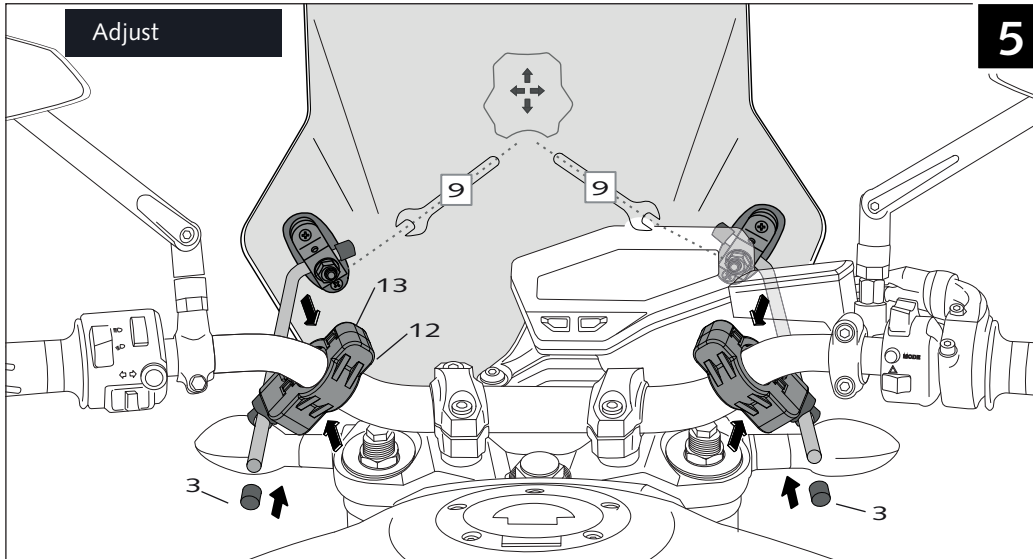
UNIVERSAL TOURING SCREEN Ref.: 8088



ID.	PART	DESCRIPTION	QTY.
1		Ø9x200 bar	2
2		Screw with drill through M8x30	4
3		Cover plastic to bar	4
4		Plastic support with adhesive	2
5		Separator	4
6		Support	2
7		Special washer	4
8		Large semi-bridle	2
9		DIN 6923 Special M8 nut	4
10		Support Trim n° 6	2
11		Philips screw Ø5x13	4
12		Trim short semi-bridle	2
13		Trim large semi-bridle	2
14		Short semi-bridle	2
15		Allen screw DIN 912 M6x12	4
16		Allen screw DIN 912 M6x16	4
17		Windshield	1
18		Arrowhead applicate the handlebar Ø26	2
19		Arrowhead applicate the handlebar Ø22	2

UNIVERSAL TOURING SCREEN Ref.: 8088







Ref.: 7652  
(Black fairing)

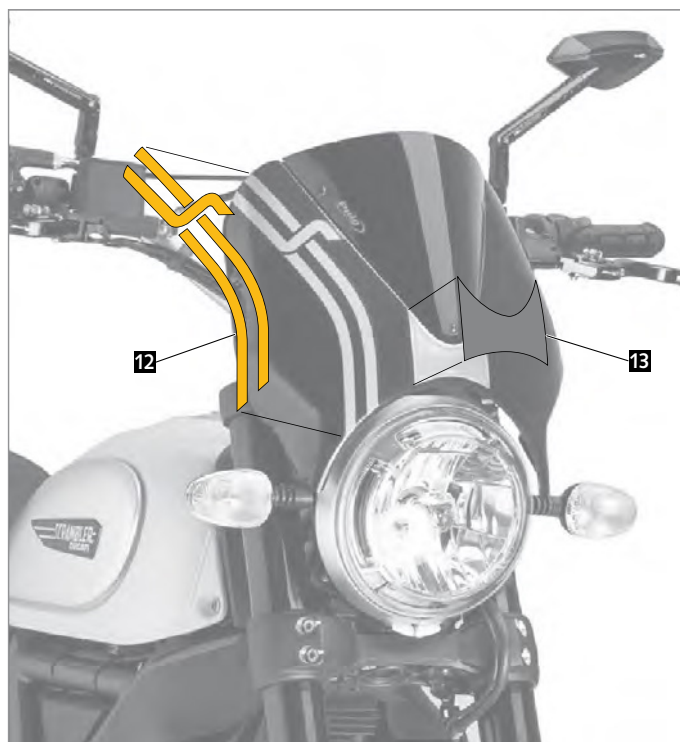







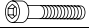
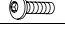
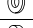
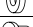





Ref.: 8192  
(Carbon fairing)



## MOUNTING INSTRUCTIONS

### WINDSHIELD FOR DUCATI SCRAMBLER



ID.	PART	DESCRIPTION	QTY.
1		Screen	1
2		Fairing	1
3		Right metal support	1
4		Left metal support	1
5		Ø inner 8,5 x Ø outer 13x15 mm arrowhead	2
6		DIN 912 M8x45 Allen screw	2
7		M5x11 ISO 7380 Allen screw	4
8		M5x0,5 nylon washer	7
9		M5x4 rubber washer	4
10		M5 silentblock	3
11		M5x16 ISO 7380 Allen screw	3
12		Vinyl tricolor sticker	1
13		Resin silver sticker	1
14		I7380 Screw Cap	7



MOUNTING INSTRUCTIONS

WINDSHIELD FOR  
**DUCATI SCRAMBLER**

