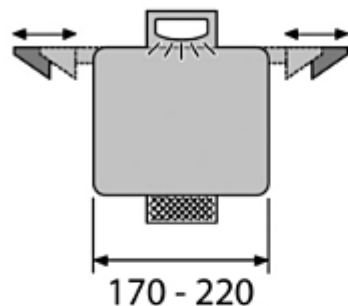
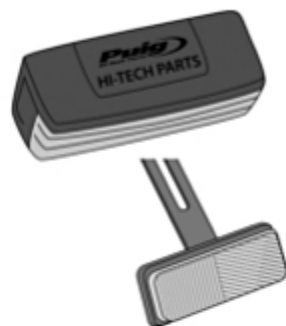


## TECHNICAL FEATURES

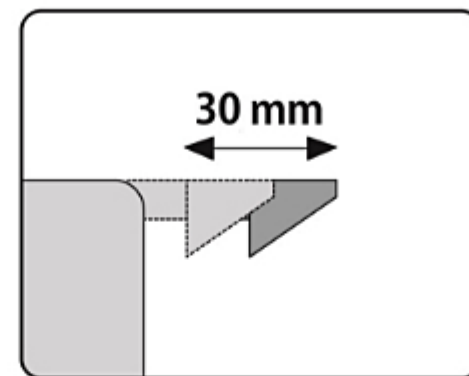


### UNIVERSAL

Suitable for most license plates.  
According to models.

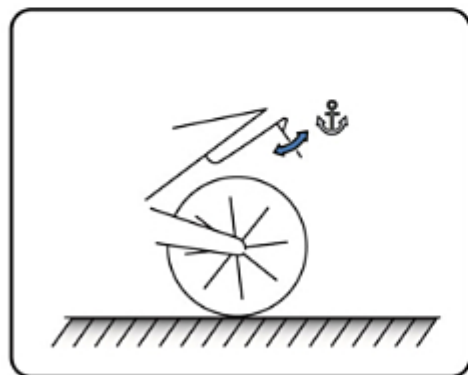


It is supplied with light and reflector, both homologated  
According to models.



### INTERMITTENT

Adjustable intermittent bracket  
According to models.



### ADJUSTABLE

Fixed or adjustable in inclination, depending on models.

