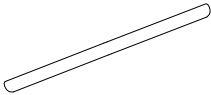
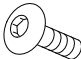

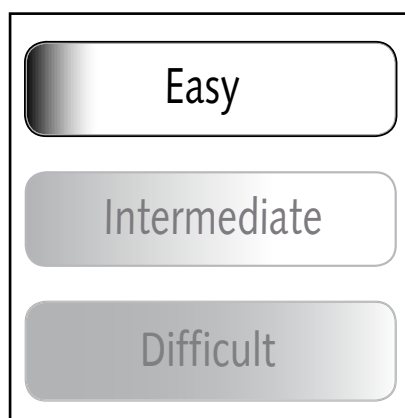
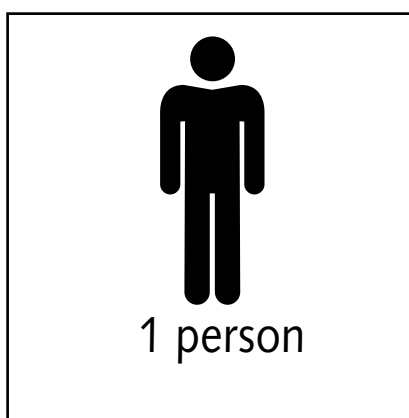
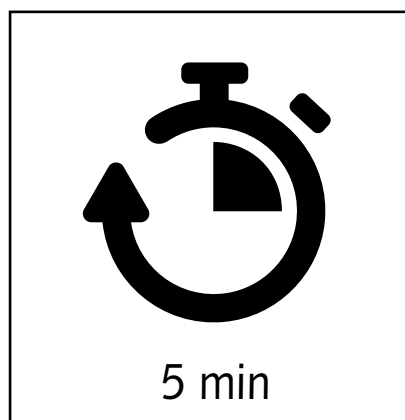
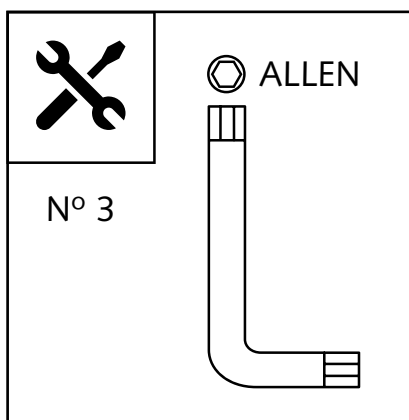


WINDSCREEN WITH STICK TO HOLD WIDTH

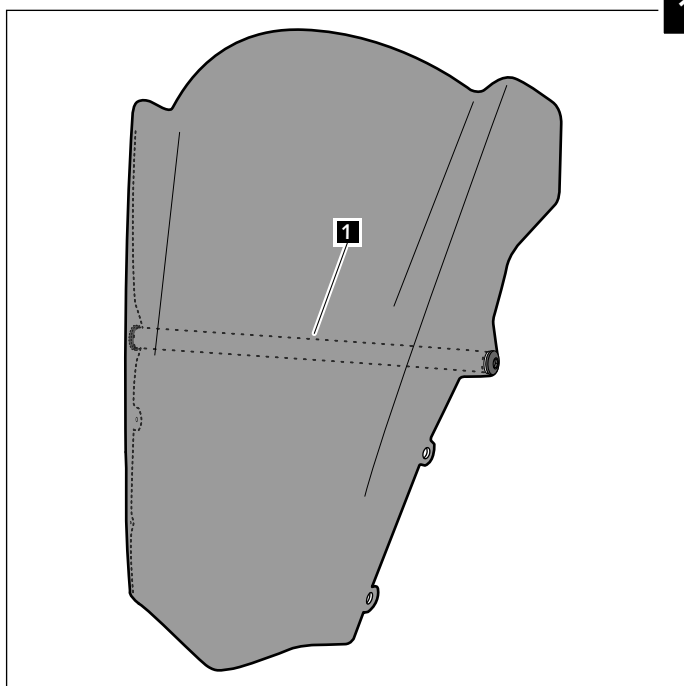
ID.	PIEZA	DESCRIPTION	QTY.
1		Plastic stick to hold shape in order to maintain original width of the windscreen	1
2		M5x16 DIN9380 screw	2
3		M5x0,5 plastic washer	2



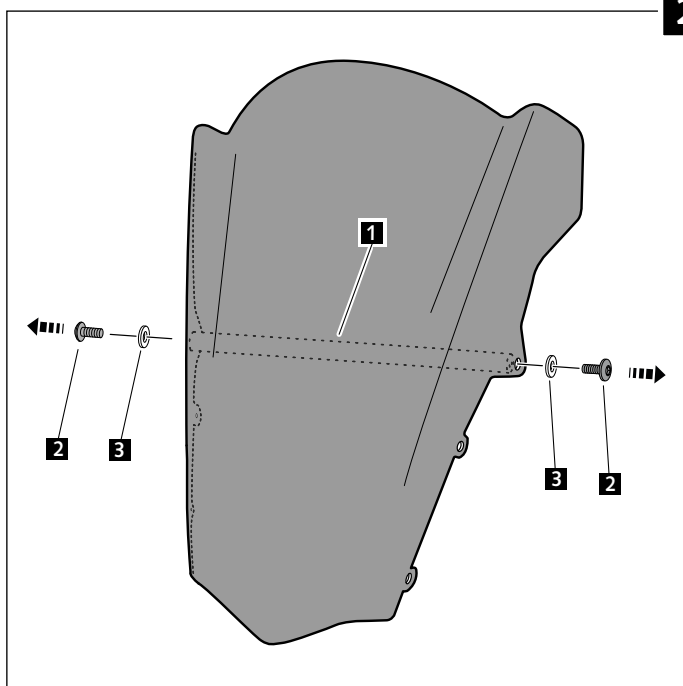
WINDSCREEN WITH STICK TO HOLD WIDTH

MOUNTING INSTRUCTIONS

1

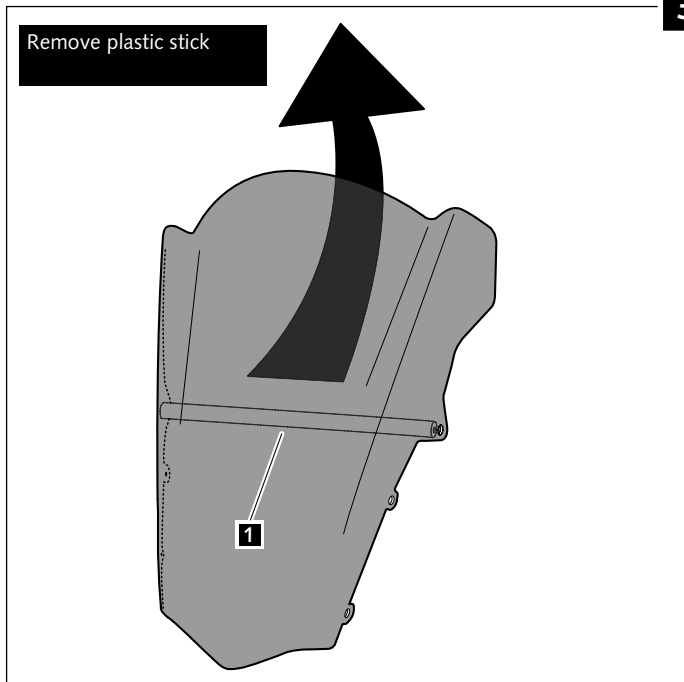


2



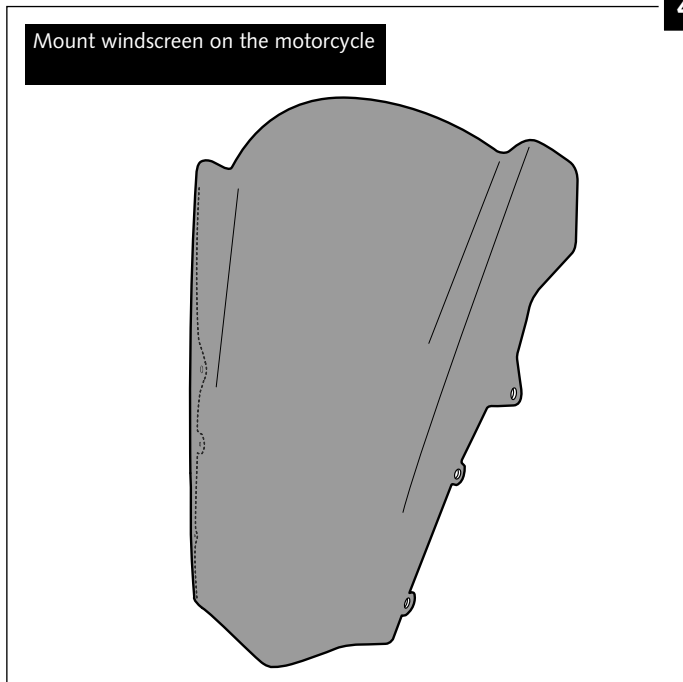
3

Remove plastic stick



4

Mount windscreen on the motorcycle



TIPS FOR A CORRECT WINDSCREEN ASSEMBLY

Due to storage and transport processes of the windscreens, which are subjected to positions and temperature changes out of our control, this may produce small deformations on the material causing some difficulties on the mounting process. It is recommended to:

- 1- Place the screws on one side without tighten all the way.
- 2- Stretch the windscreen to the other side (see Fig. 1). The flexibility of the material allows this stretch with no risk of breaking or cracking.
- 3- Place the screws without tightening all the way.
- 4- Tighten progressively all the screws.

