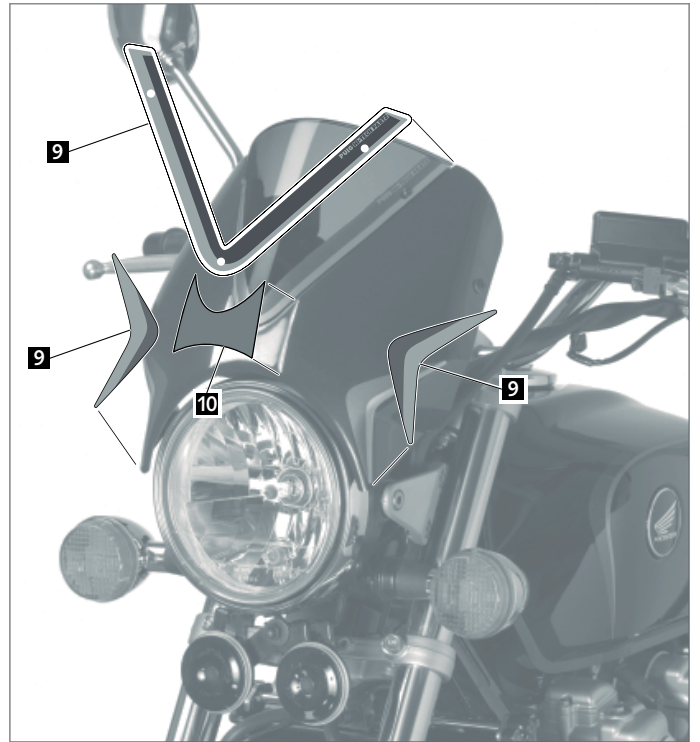


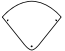
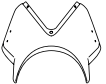


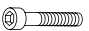






Ref.: 7593
 (Black fairing)

Ref.: 7594
 (Carbon fairing)

MOUNTING INSTRUCTIONS

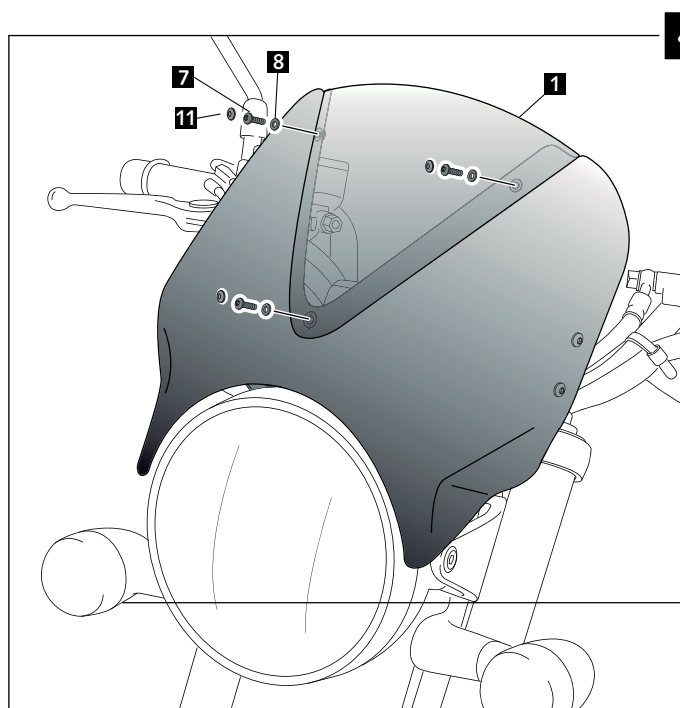
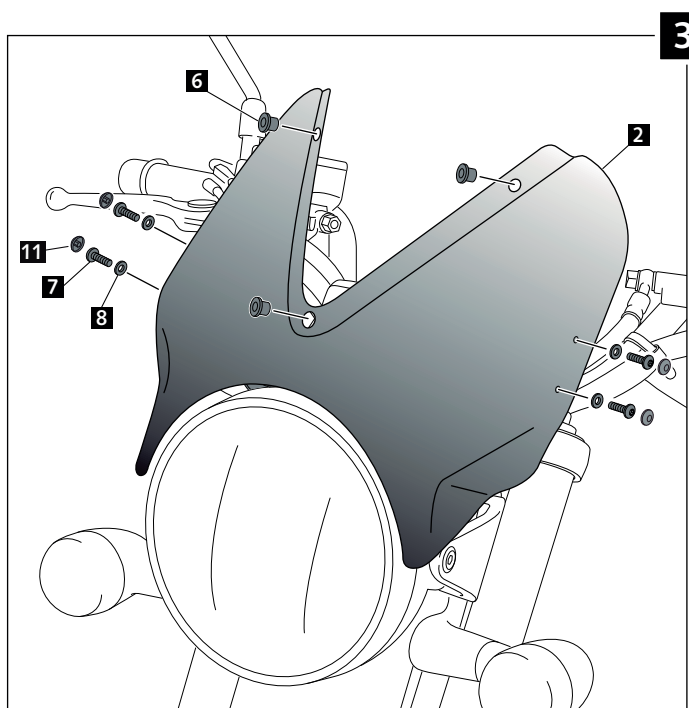
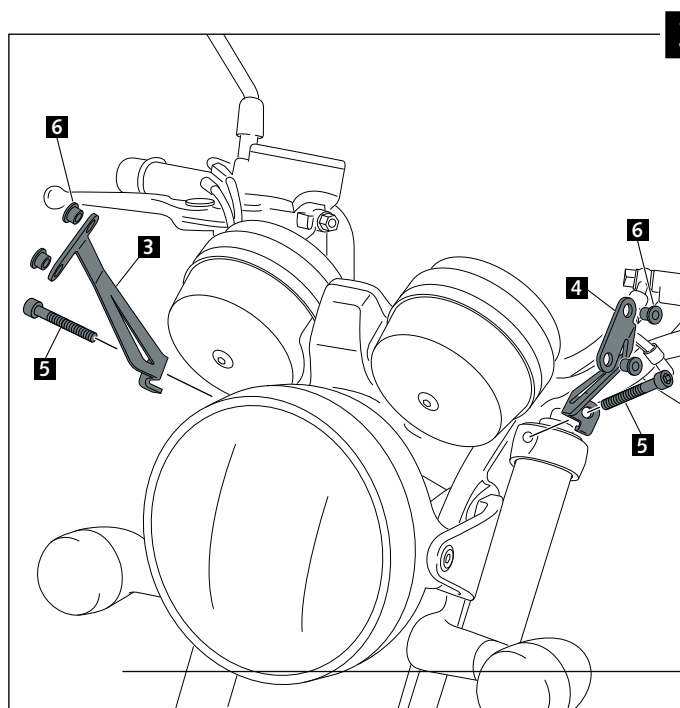
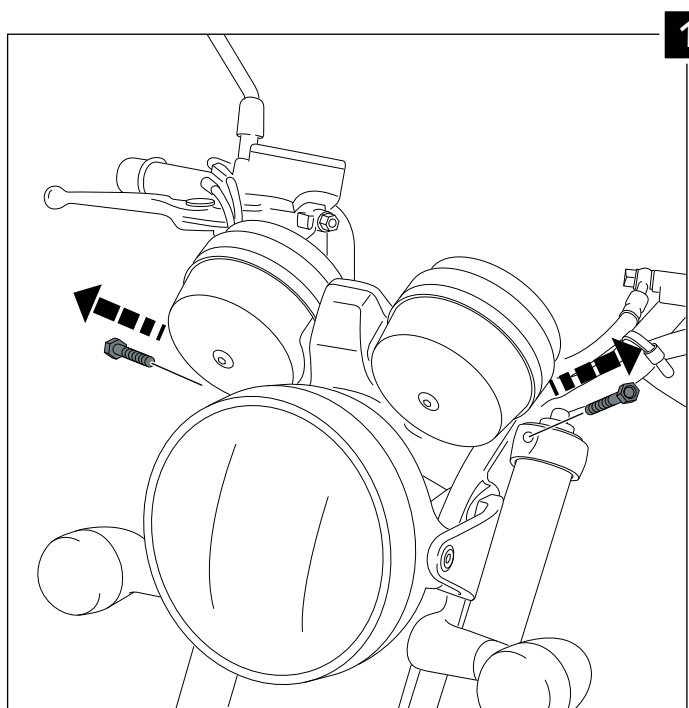
WINDSHIELD FOR
HONDA CB1100 EX '13-'14



ID.	PIEZA / PART	DESCRIPTION	QTY.
1		Screen	1
2		Fairing	1
3		Right metal support	1
4		Left metal support	1
5		DIN 912 M8x45 Allen screw	2
6		M5 silentblock	7
7		M5x16 ISO 7380 Allen screw	7
8		M5x0,5 nylon washer	7
9		Vinyl stickers	1
10		Resin silver sticker	1
11		M5 ISO7380 screw cap	7





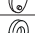














MOUNTING INSTRUCTIONS

WINDSHIELD FOR HONDA CB1100 EX '13-'14

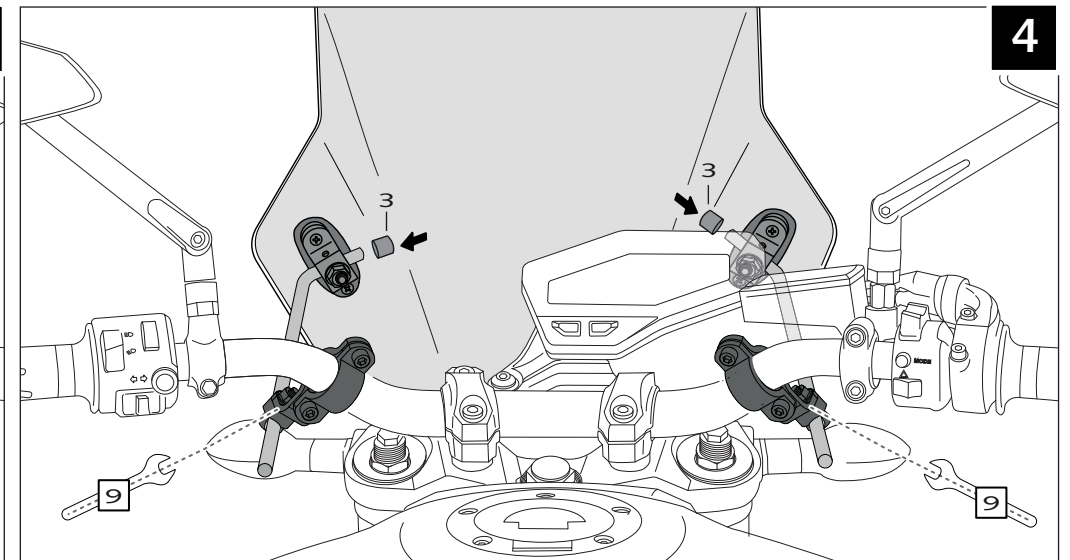
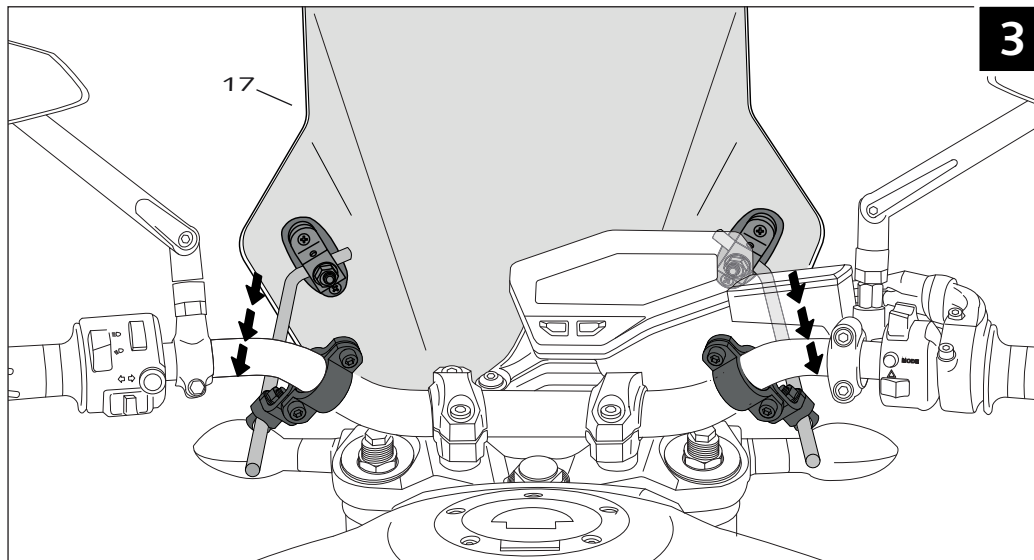
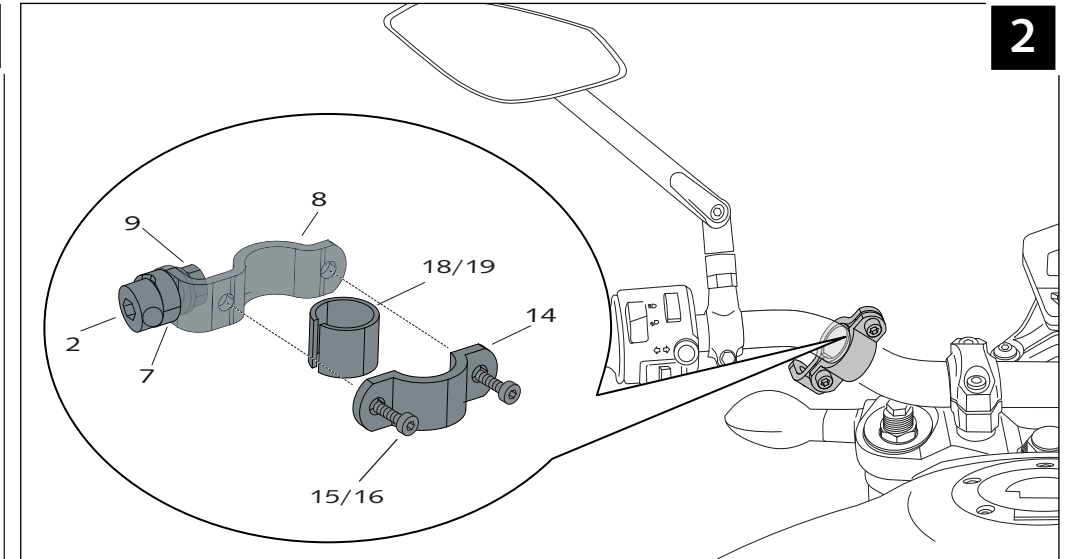
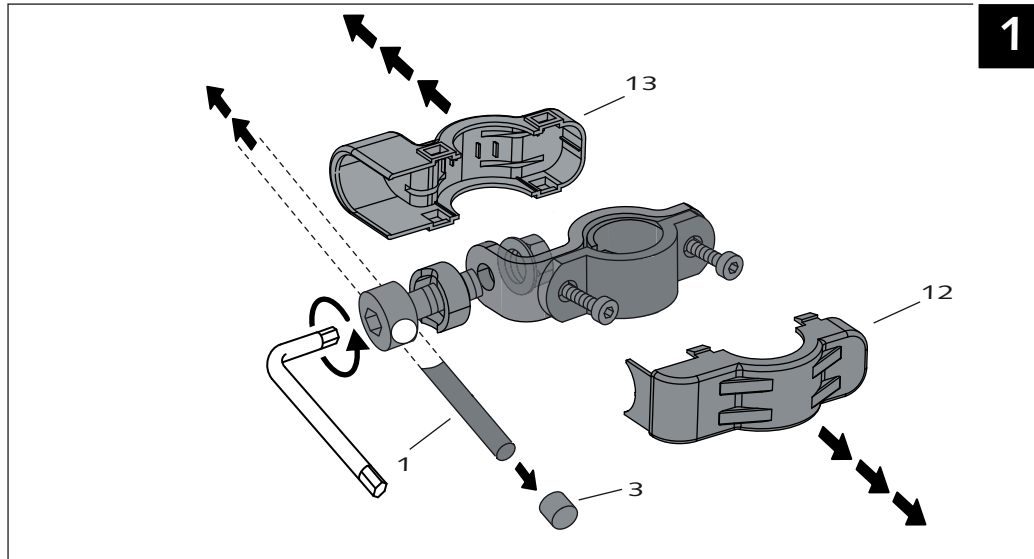


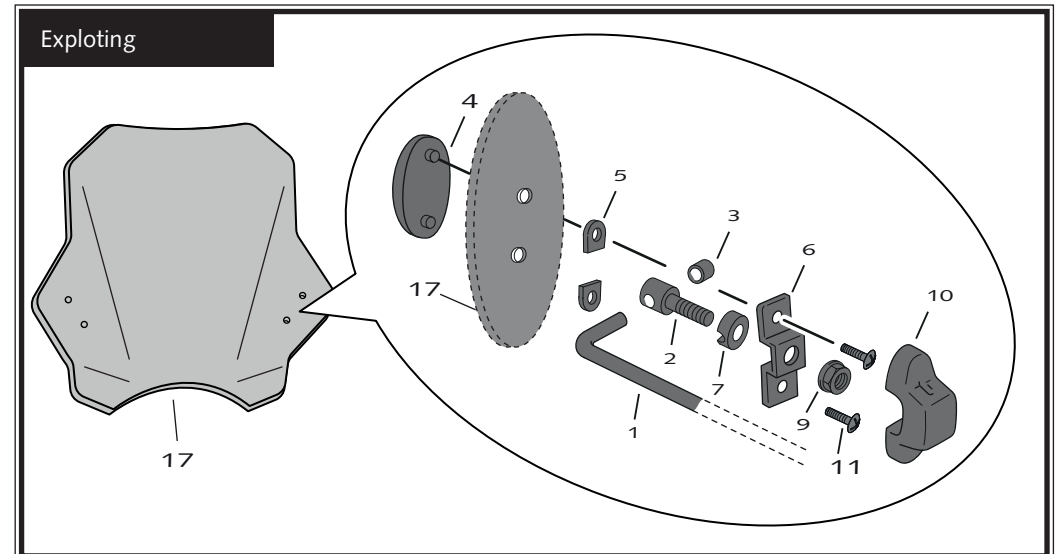
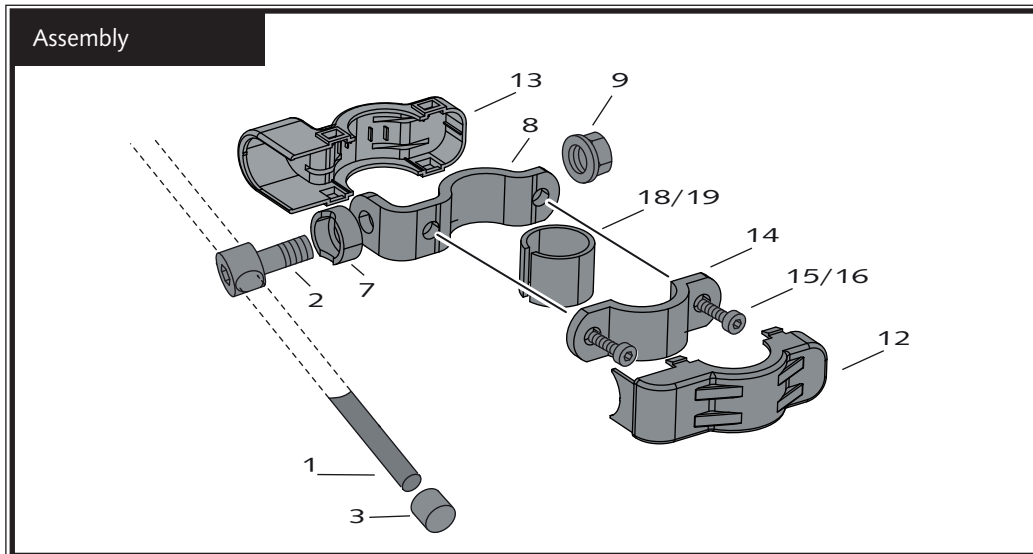
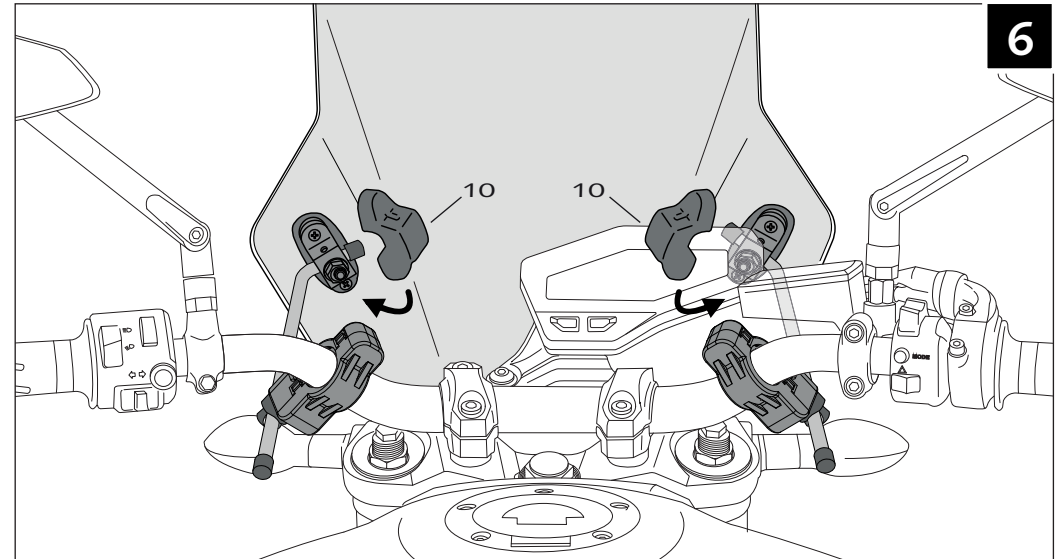
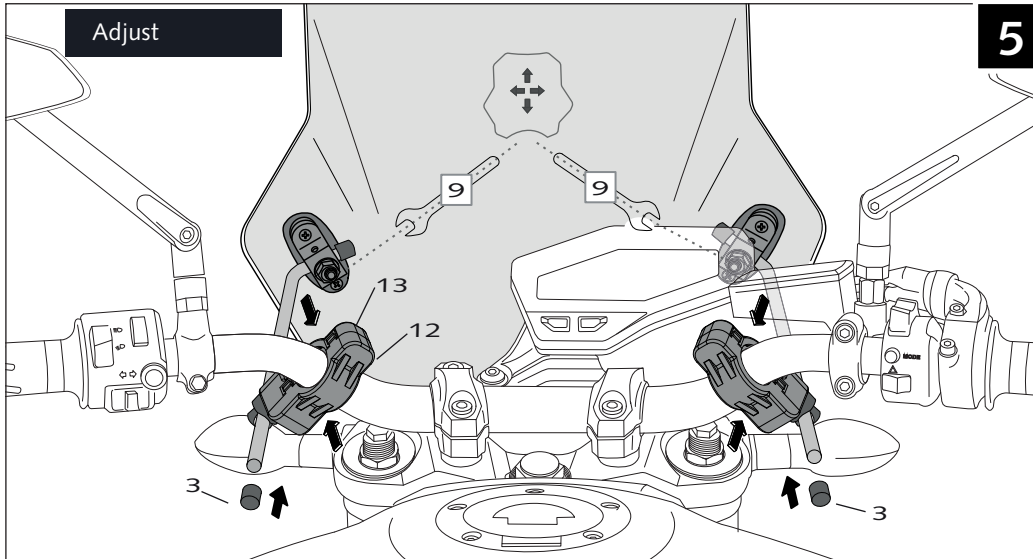
UNIVERSAL TOURING SCREEN Ref.: 8088



ID.	PIEZA/PIECE	DESCRIPTION	QTY.
1		Ø9x200 bar	2
2		Screw with drill through M8x30	4
3		Cover plastic to bar	4
4		Plastic support with adhesive	2
5		Separator	4
6		Support	2
7		Special washer	4
8		Large semi-bridle	2
9		DIN 6923 Special M8 nut	4
10		Support Trim n° 6	2
11		Philips screw Ø5x13	4
12		Trim short semi-bridle	2
13		Trim large semi-bridle	2
14		Short semi-bridle	2
15		Allen screw DIN 912 M6x12	4
16		Allen screw DIN 912 M6x16	4
17		Windshield	1
18		Arrowhead applicate the handlebar Ø26	2
19		Arrowhead applicate the handlebar Ø22	2

UNIVERSAL TOURING SCREEN Ref.: 8088







Rely only on high-grade motorcycle windshields & fairings offered on our virtual shelves.