

MOUNTING INSTRUCTIONS

WINDSHIELD WITH SELF-ADJUSTING INCLINATION SYSTEM

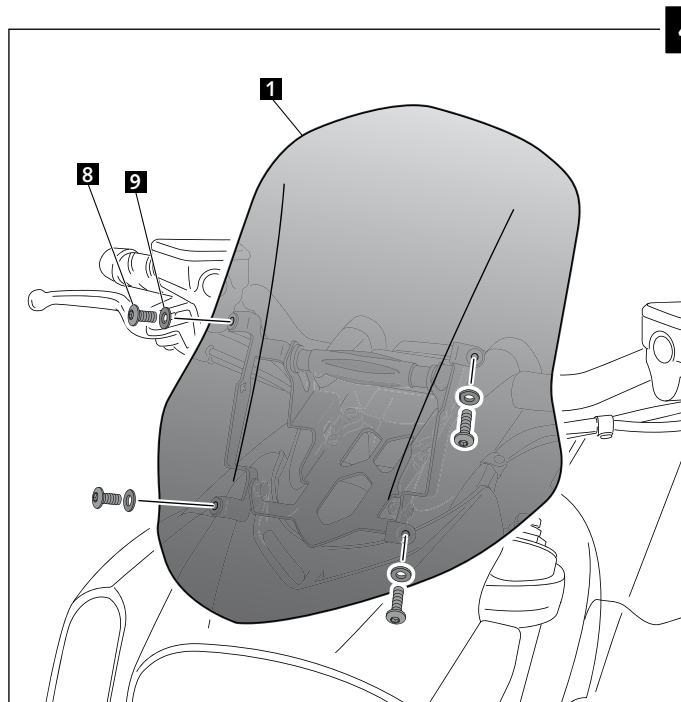
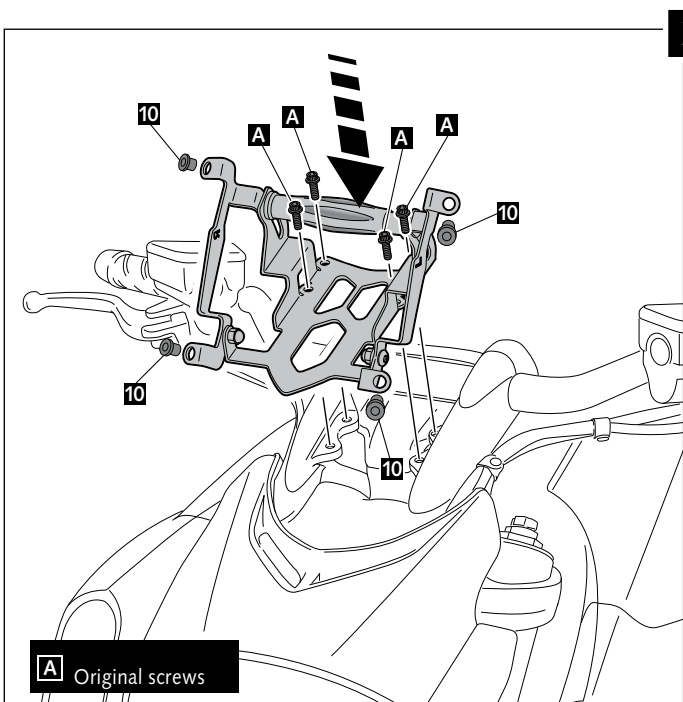
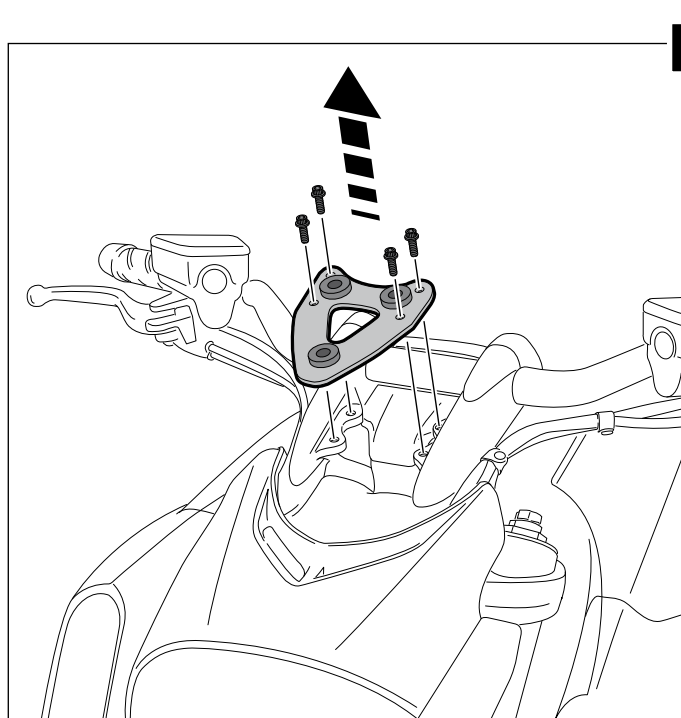
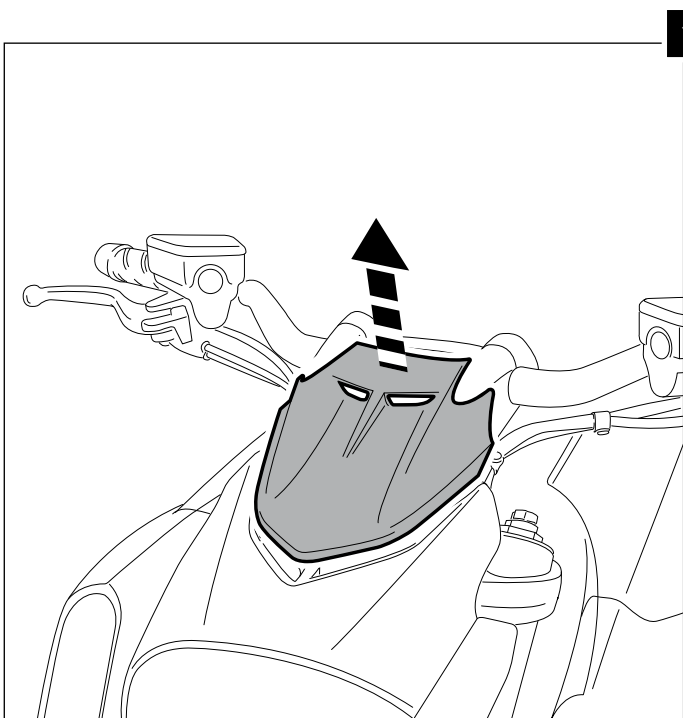
DUCATI DIAVEL / CARBON '14 -



ID.	PIEZA / PART	DESCRIPTION	QTY.
1		Screen TOURING (7570)	1
		Screen SPORT (7592)	
2		Fixed metal support	1
3		Mobile right metal support	1
4		Mobile left metal support	1
5		Locking handle	1
6		Ø int. 8,5 x Ø ext. 17 x 1,5 rubber washer	2
7		Ø int. 8,5 x Ø ext. 17 x 1 (black) metal washer	2
8		M5 x 16 ISO 7380 (black) Allen screw	4
9		M5 x 0,5 nylon washer	4
10		Silentblock M5	4
11		M6 x 10 ISO 7380 (black) Allen screw	2
12		Ø int. 6 x Ø ext. 8 x 5,5 arrowhead	2
13		Ø8 x 1 nylon washer	2
14		M6 blind nut	2
15		Sticker (served mounted)	1

MOUNTING INSTRUCTIONS

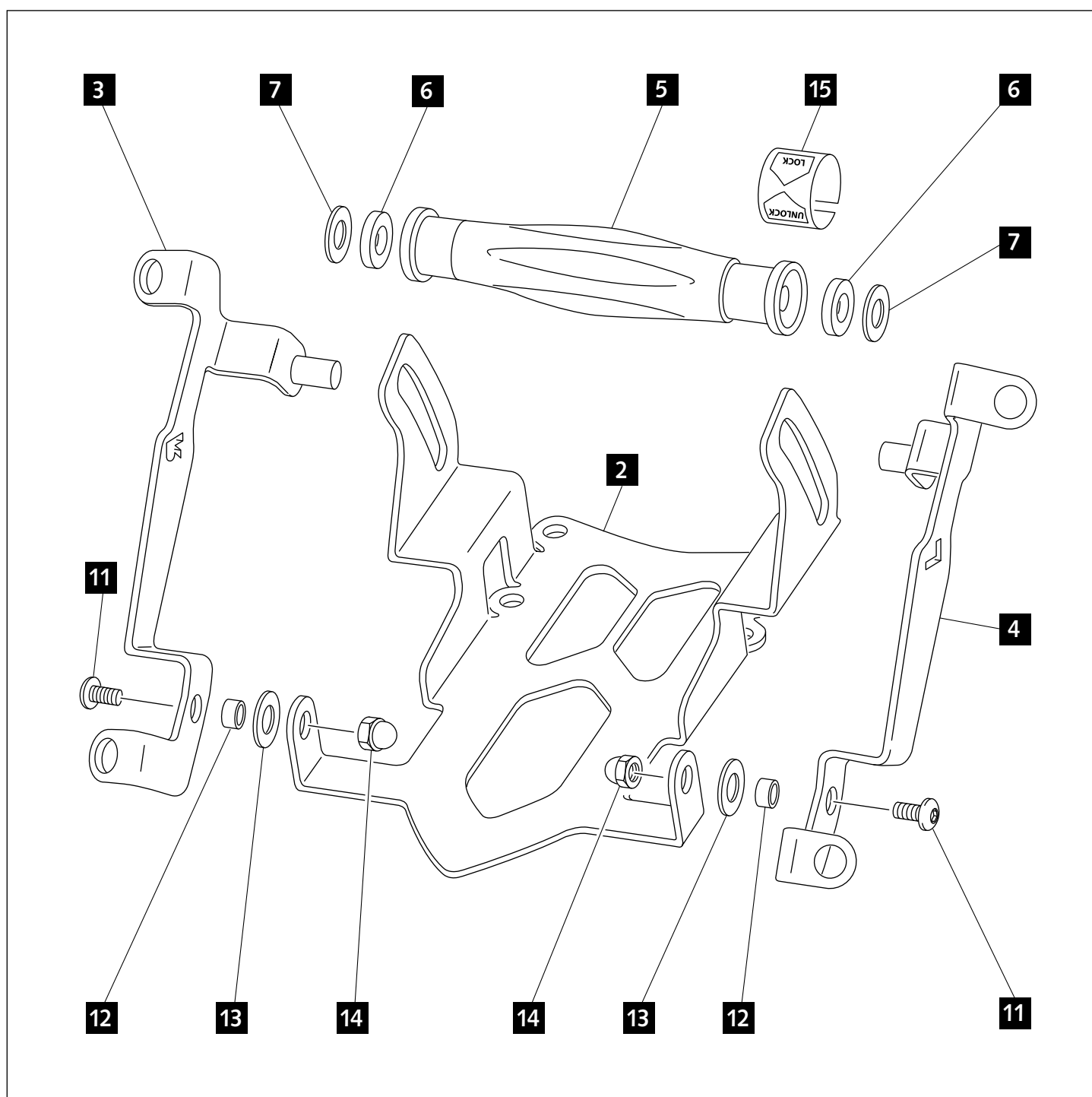
WINDSHIELD WITH SELF-ADJUSTING INCLINATION SYSTEM DUCATI DIAVEL / CARBON '14 -



MOUNTING INSTRUCTIONS

WINDSHIELD WITH SELF-ADJUSTING INCLINATION SYSTEM

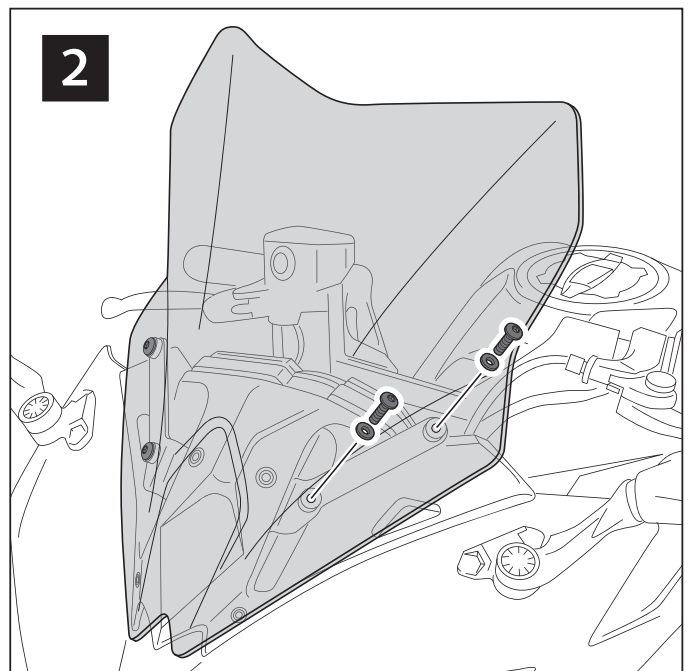
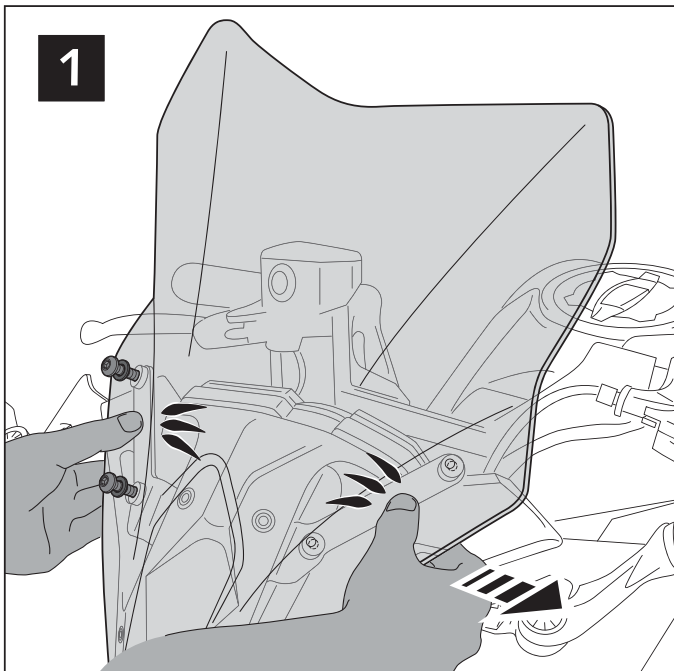
DUCATI DIAVEL / CARBON '14 -



TIPS FOR A CORRECT WINDSCREEN ASSEMBLY

Due to storage and transport processes of the windscreens, which are subjected to positions and temperature changes out of our control, this may produce small deformations on the material causing some difficulties on the mounting process. It is recommended to:

- 1- Place the screws on one side without tighten all the way.
- 2- Stretch the windscreen to the other side (see Fig. 1). The flexibility of the material allows this stretch with no risk of breaking or cracking.
- 3- Place the screws without tightening all the way.
- 4- Tighten progressively all the screws.



Windshield Self-Adjustable

for DUCATI DIAVEL 15-



Ref. 7592F



Ref. 7592N



Original

Quick-lock system to **self-adjust in 1 second!**



Unlock

Step 1



Adjust

Step 2



Lock

Step 3



Quick-lock system
available for:
Touring version – part# 7570
Sport version – part# 7592

Puig
Hi-Tech Parts

Rely only on high-grade motorcycle windshields & fairings offered on our virtual shelves.