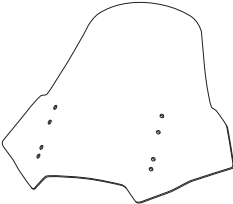



HONDA ST1300 PAN EUROPEAN

REF 5995

- TOURING SCREEN -



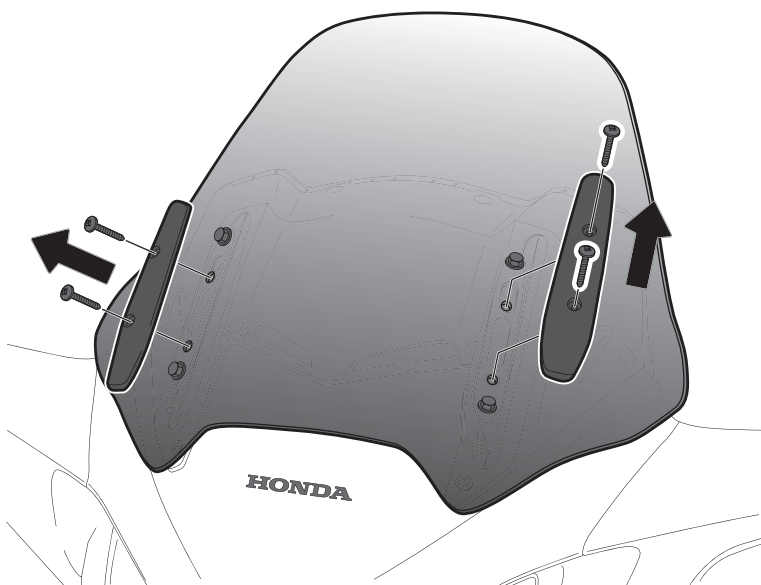
ID	PARTDESCRIPTION	ON	QTY	REF
1		Touring screen	1	5995A/H/WM3
2		Ø15 x Ø9 x 7,5 bush with flange	4	CASQUI-1A---324
3		M10 DIN433 Nylon washer (Ø18 x Ø10,5 x 1,6)	4	ARAND-----650

HONDA ST1300 PAN EUROPEAN

MOUNTING INSTRUCTIONS

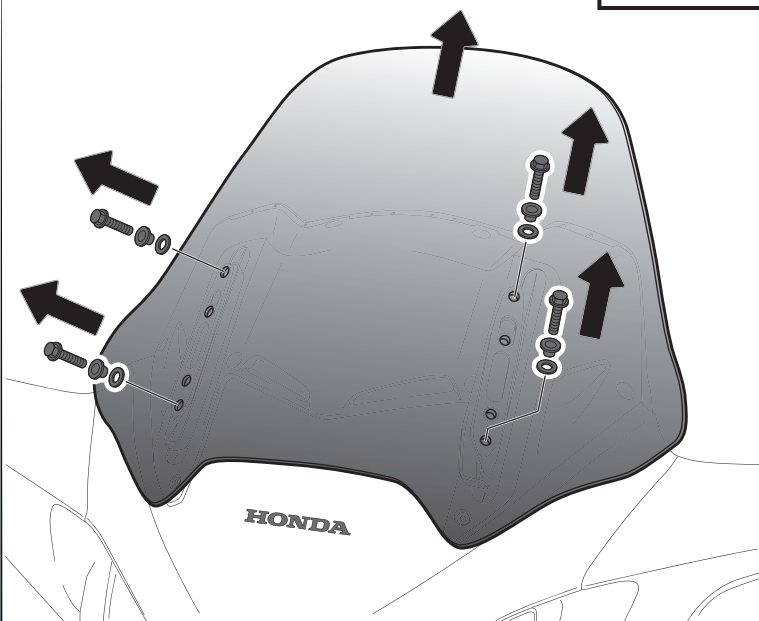
1

DISASSEMBLY



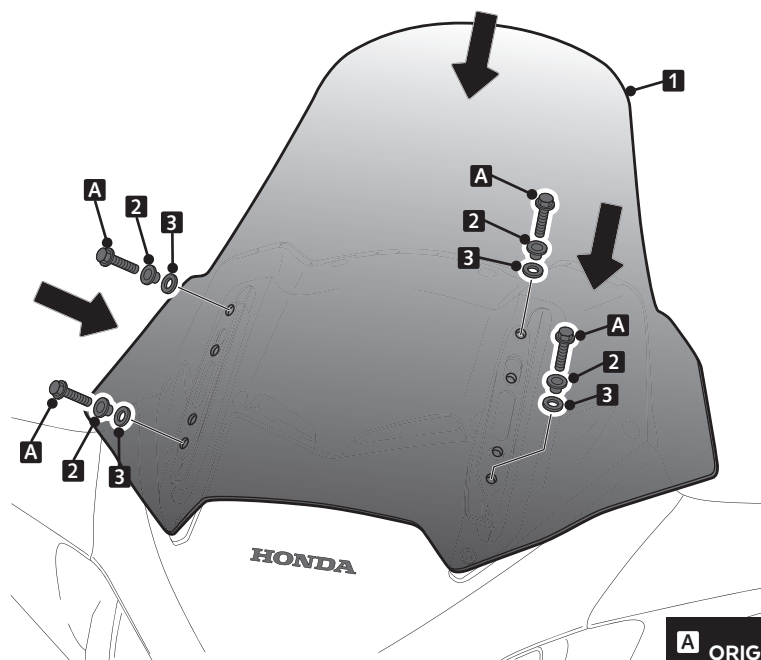
2

DISASSEMBLY



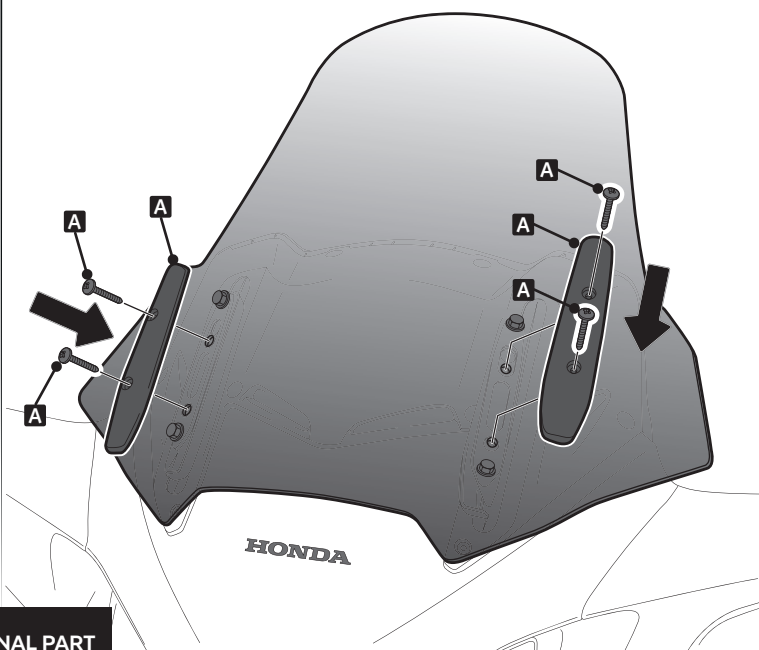
3

ASSEMBLY



4

ASSEMBLY



A ORIGINAL PART

MULTI-ADJUSTABLE VISOR



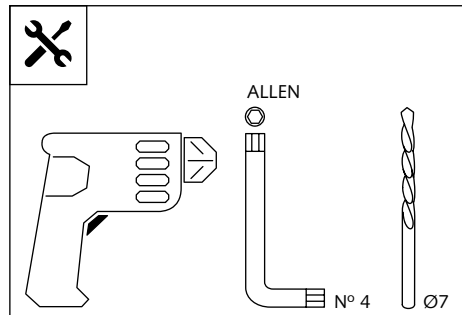
Ref.: 6007

Ref.: 5852

Ref.: 5853

Smoke

Clear



1 person



15 min

Easy

Intermediate

Difficult

Note:

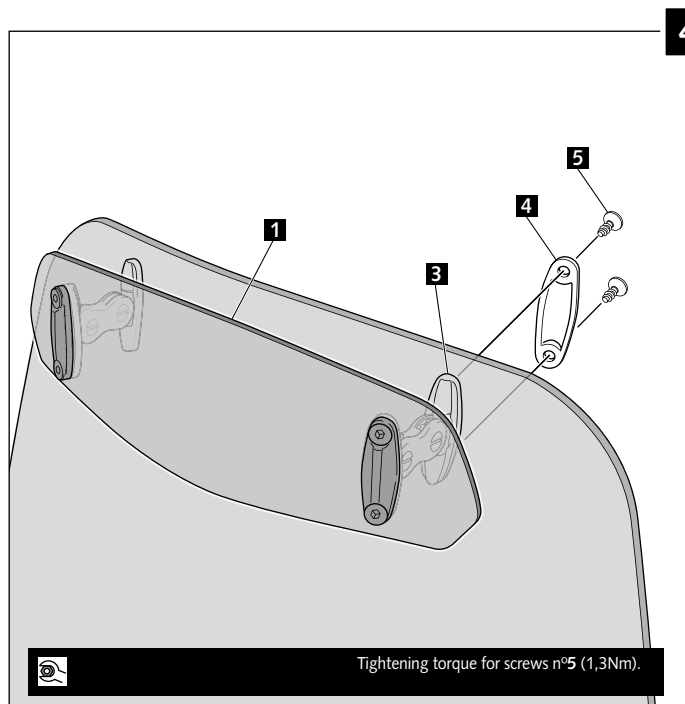
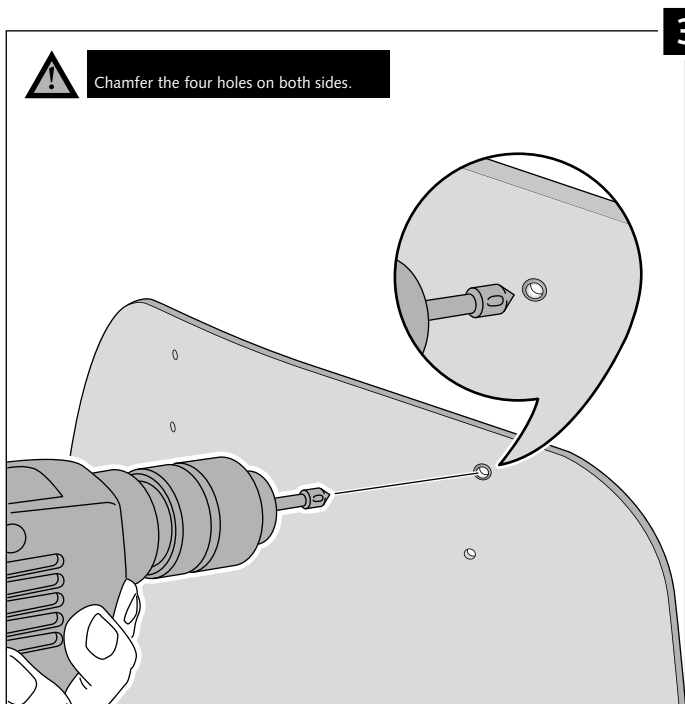
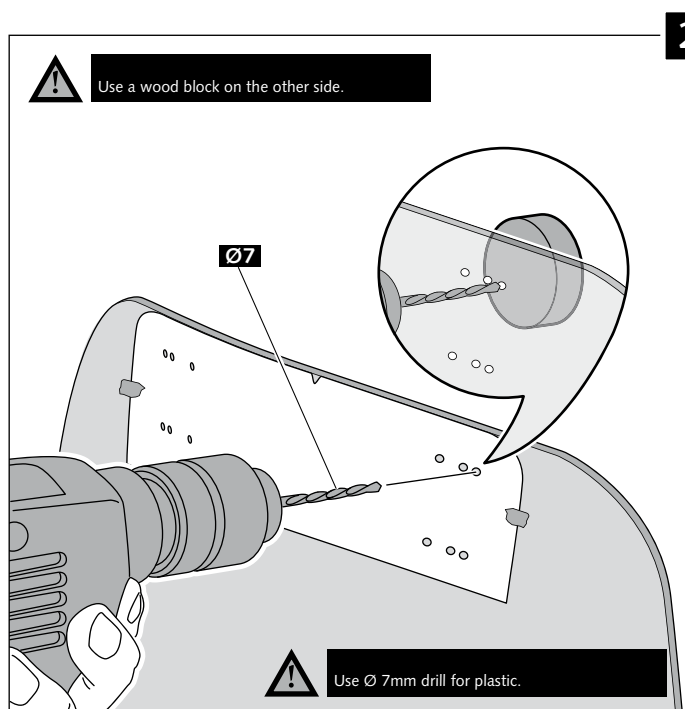
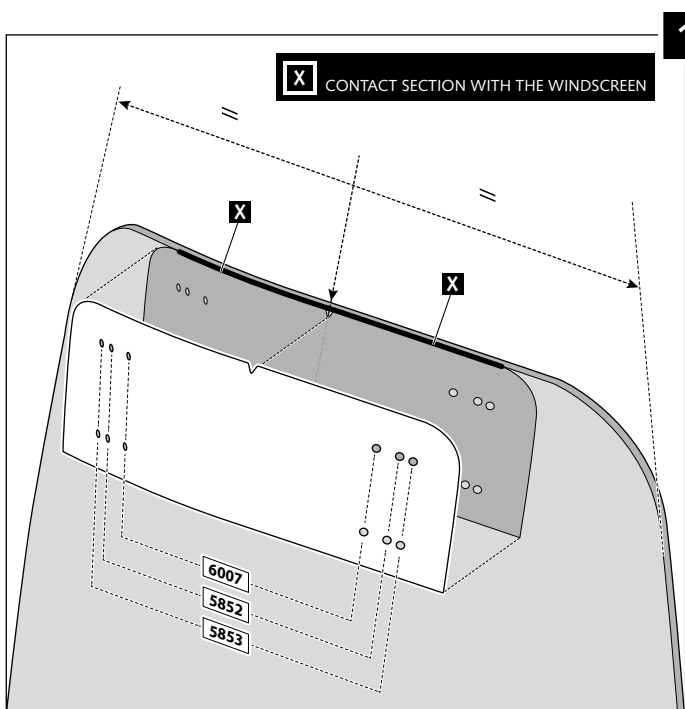
If the visor is supplied along with the windscreen, the windscreen will come factory-drilled so no drilling is necessary.

ID.	PART	DESCRIPTION	QTY.
1		Visor	1
2		Template	1
3		Multi-adjustable mechanism	2
4		Cap	4
5		Plastic thread fastener M6x12	8

MULTI-ADJUSTABLE VISOR

MOUNTING INSTRUCTIONS

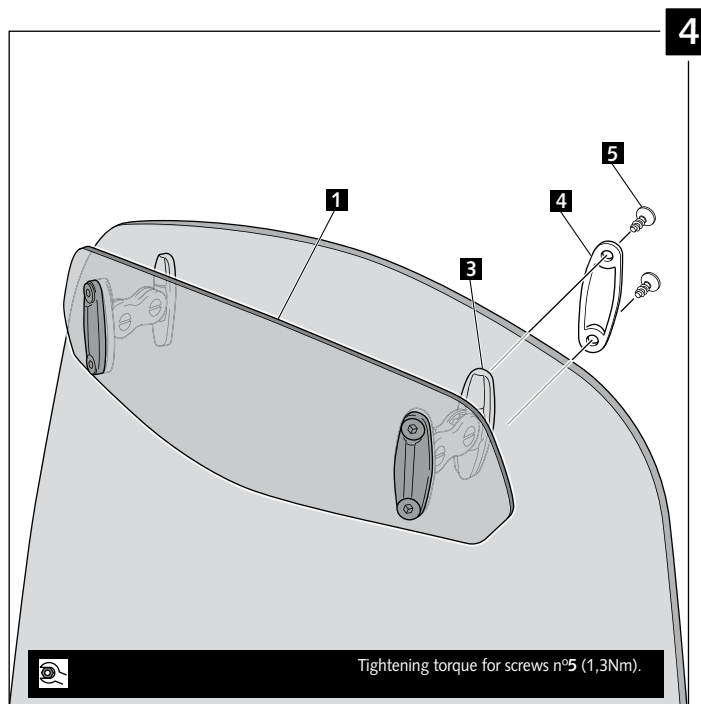
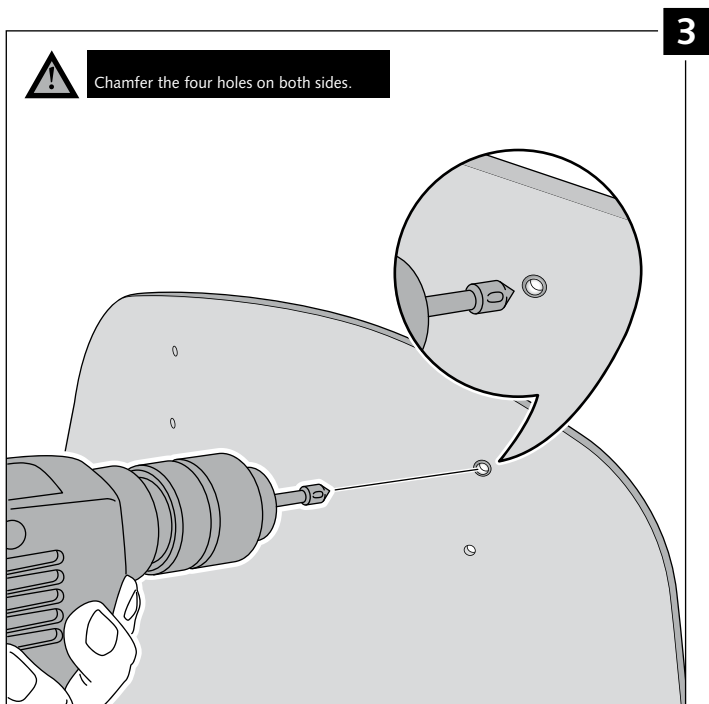
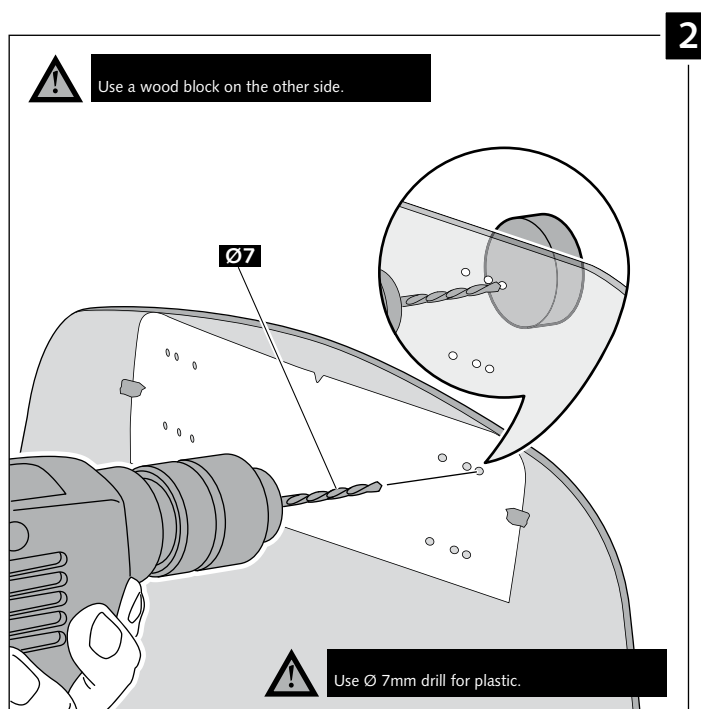
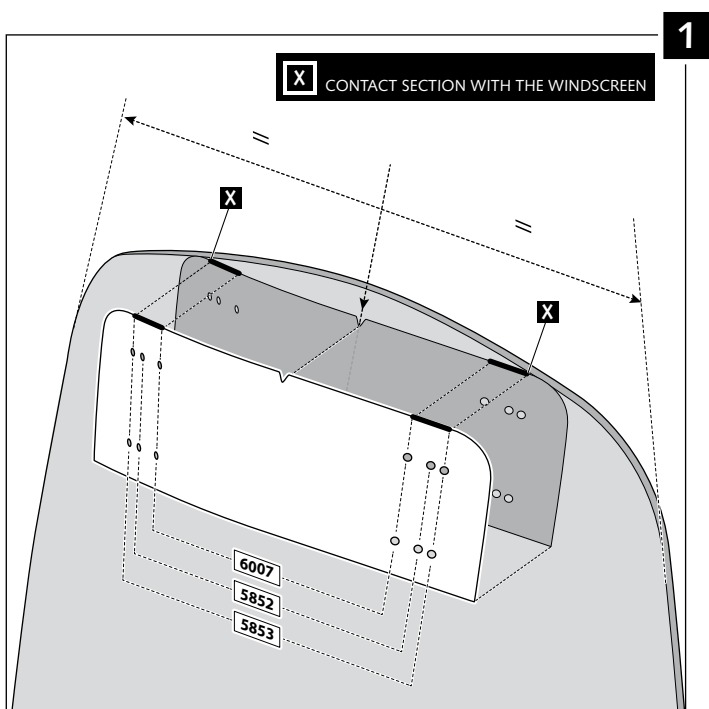
TYPE A



MULTI-ADJUSTABLE VISOR

MOUNTING INSTRUCTIONS

TYPE B



MULTI-ADJUSTABLE VISOR

MOUNTING INSTRUCTIONS

TYPE C

