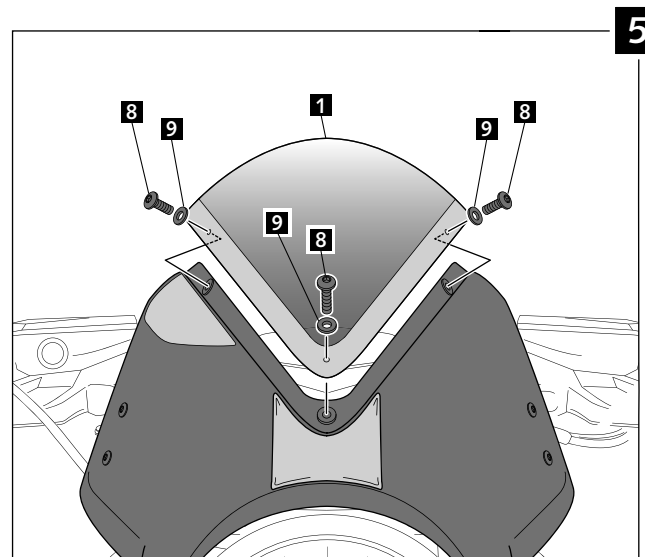
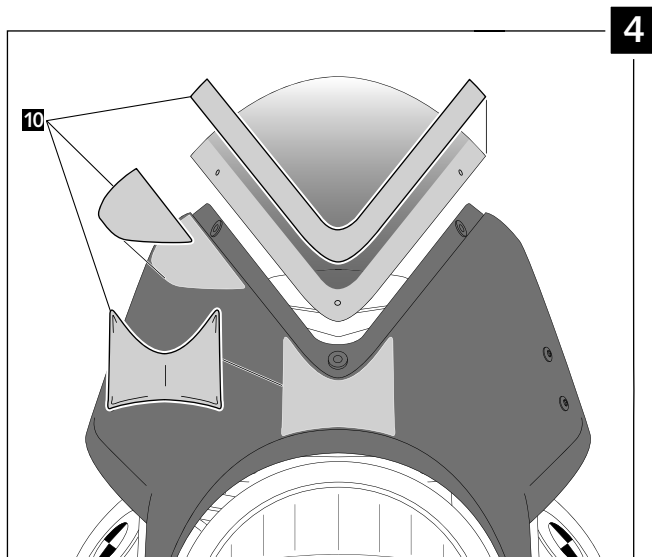
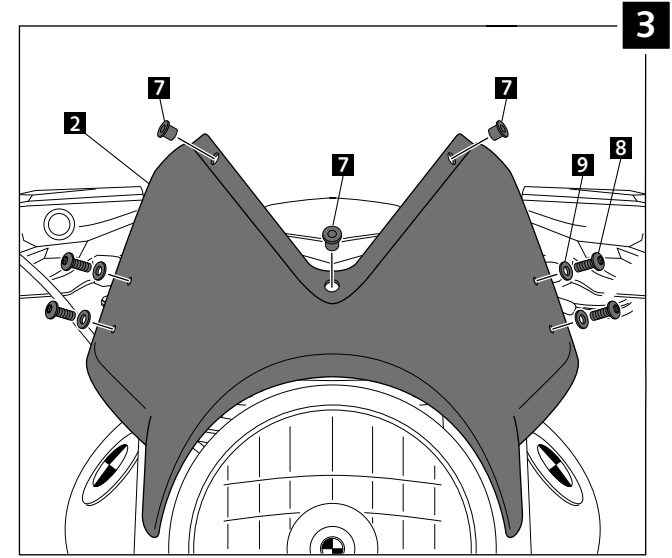
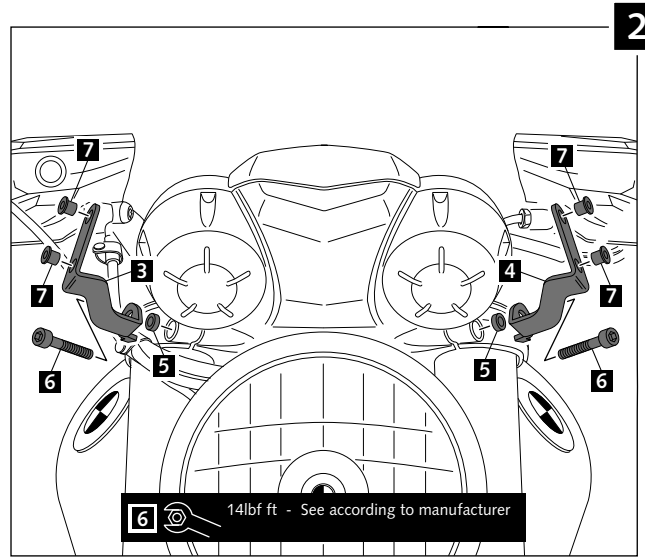
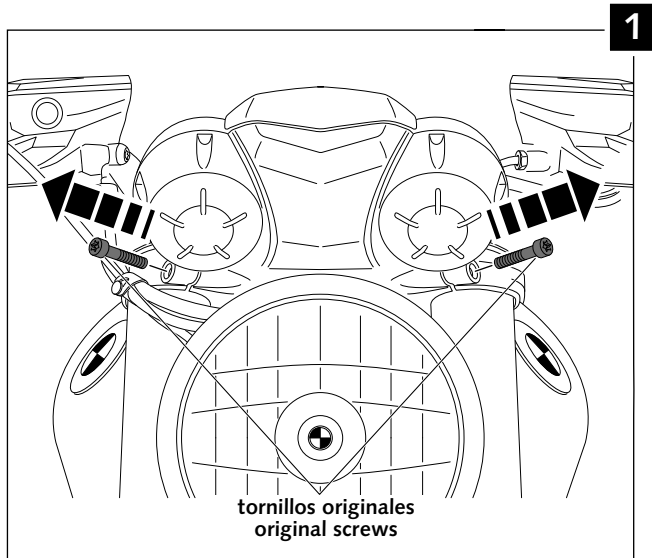


SCREEN FOR BMW R NINE T PURE

Mod. BLACK FAIRING
Ref.: 7012

Mod. CARBON FAIRING
Ref.: 7559



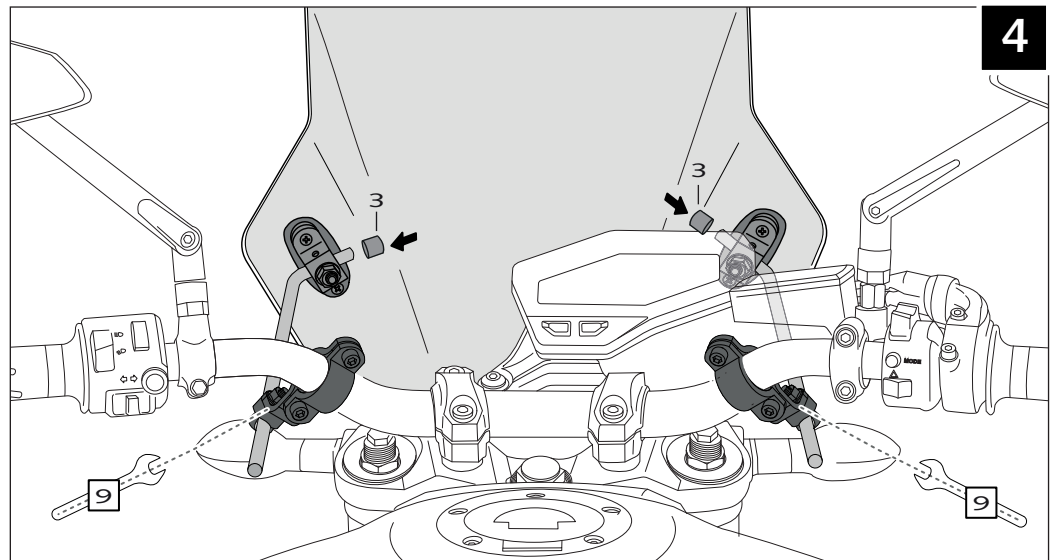
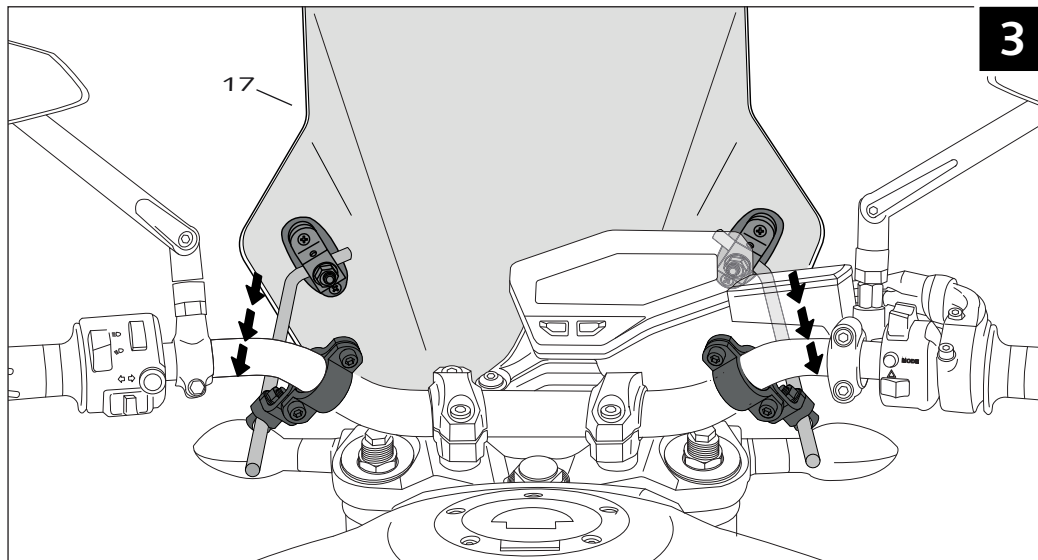
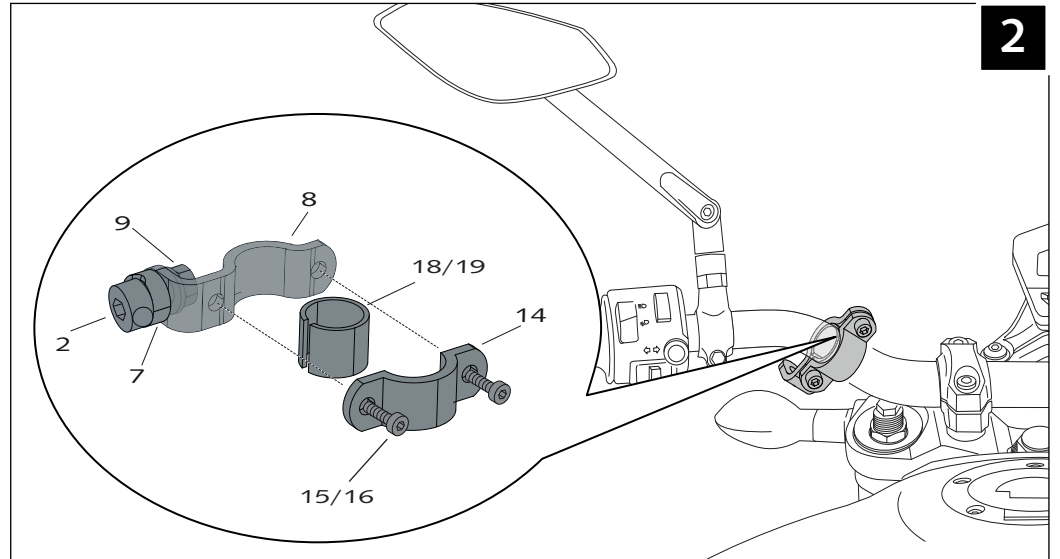
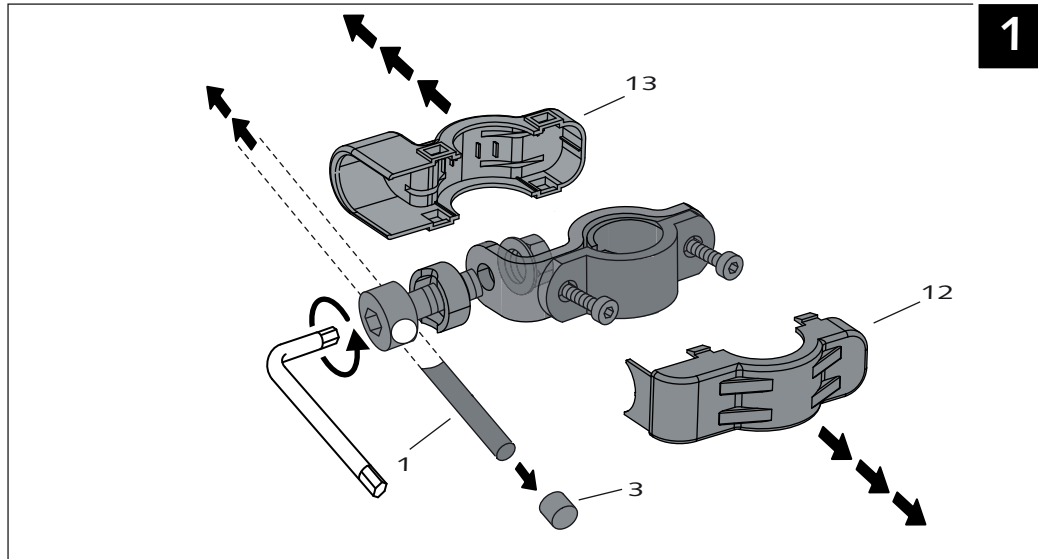
ID.	DESCRIPTION	QTY.
1	Screen	1
2	Fairing	1
3	Right support	1
4	Left support	1
5	Øinner 8,5 x Øouter 14x12 Arrowhead	2
6	M8x40 DIN 912 Allen screw	2
7	M5 Silemblock	7
8	M5x16 ISO 7380 Allen screw	7
9	M5x0,5 Nylon washer	7
10	Stikers	1

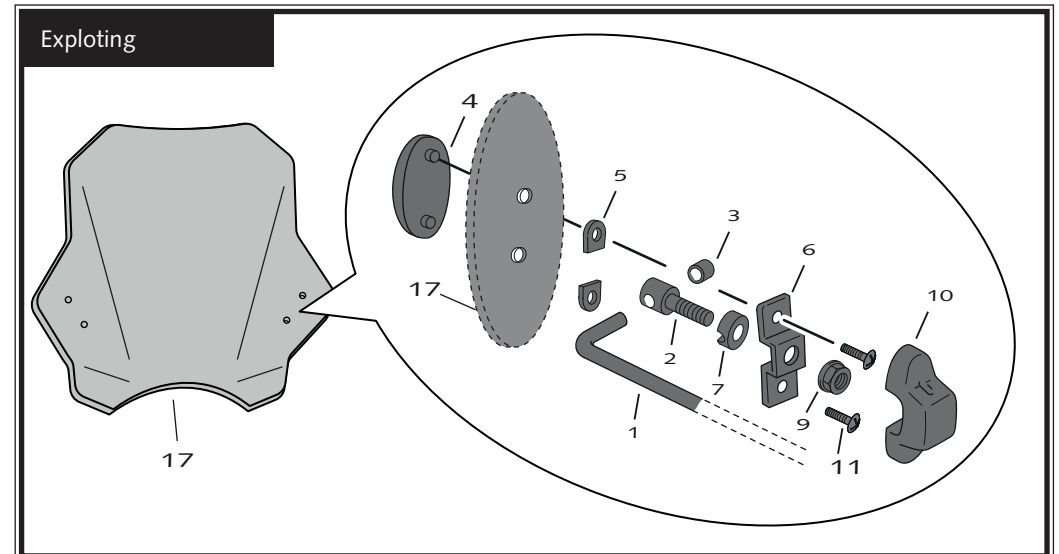
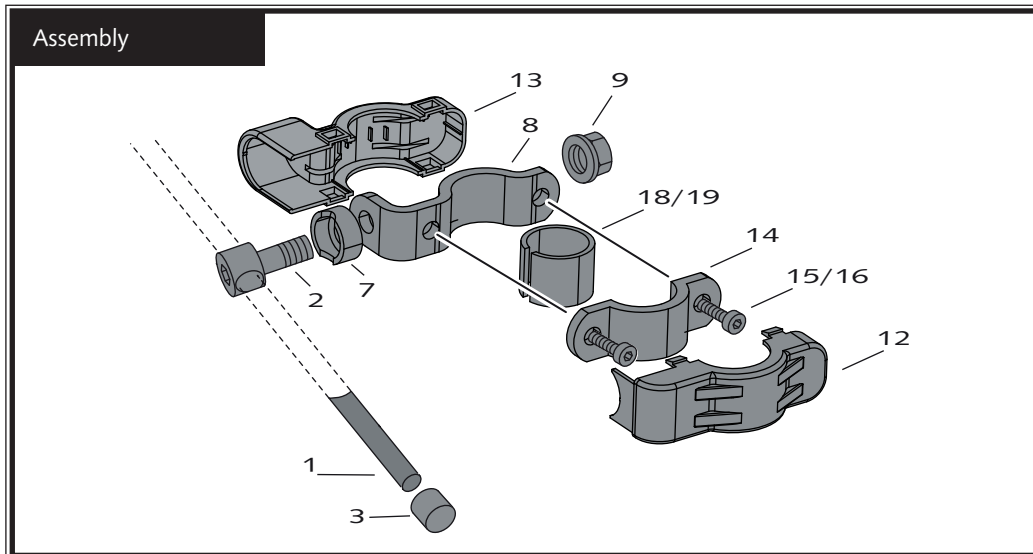
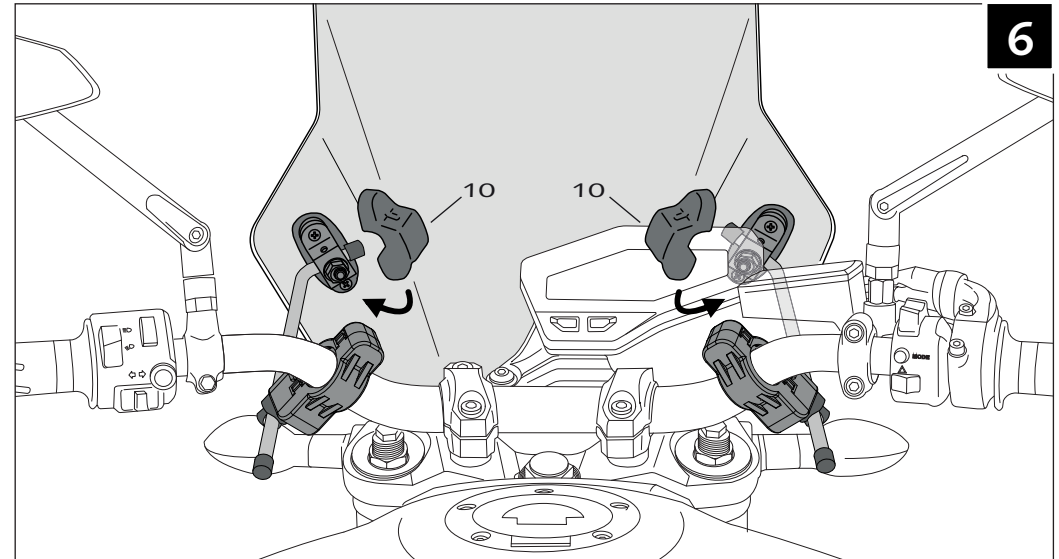
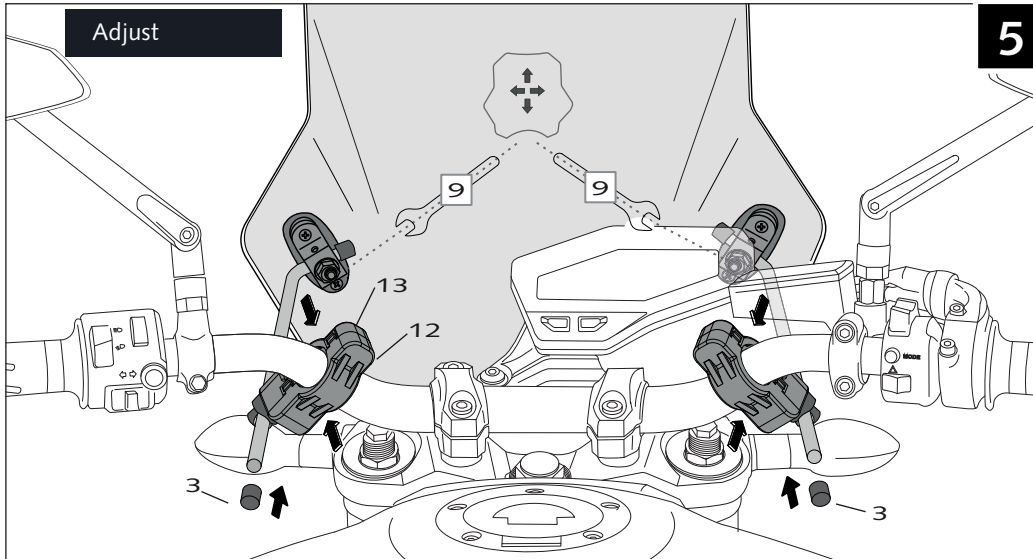
UNIVERSAL TOURING SCREEN Ref.: 8088



ID.	PIEZA/PIECE	DESCRIPTION	QTY.
1		Ø9x200 bar	2
2		Screw with drill through M8x30	4
3		Cover plastic to bar	4
4		Plastic support with adhesive	2
5		Separator	4
6		Support	2
7		Special washer	4
8		Large semi-bridle	2
9		DIN 6923 Special M8 nut	4
10		Support Trim nº 6	2
11		Philips screw Ø5x13	4
12		Trim short semi-bridle	2
13		Trim large semi-bridle	2
14		Short semi-bridle	2
15		Allen screw DIN 912 M6x12	4
16		Allen screw DIN 912 M6x16	4
17		Windshield	1
18		Arrowhead applicate the handlebar Ø26	2
19		Arrowhead applicate the handlebar Ø22	2

UNIVERSAL TOURING SCREEN Ref.: 8088







Rely only on high-grade motorcycle windshields & fairings offered on our virtual shelves.