



It would be convenient to re-tight the licence support screws, specially the ones that are fixed to the motorcycle, whenever you maintain the vehicle.

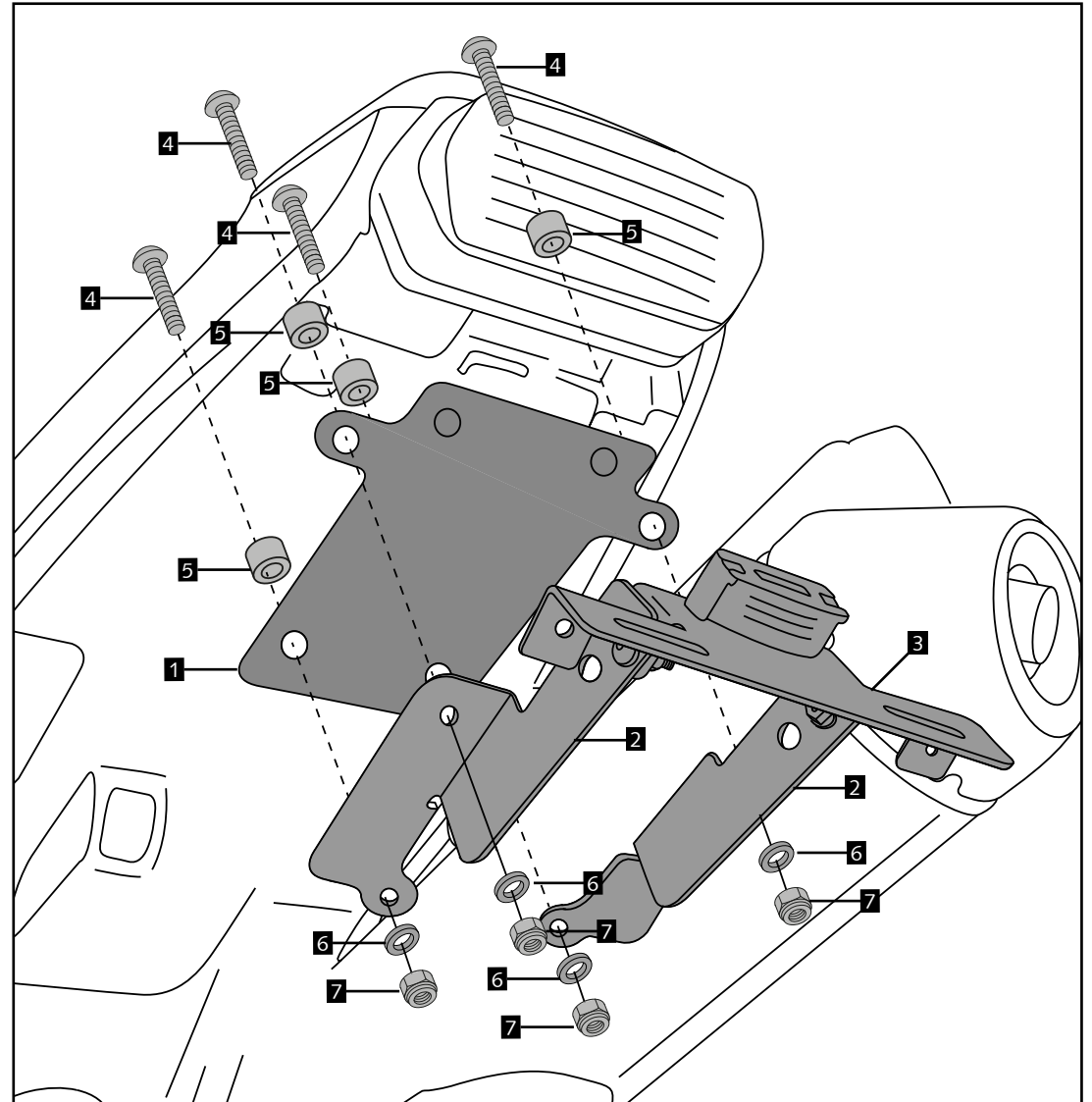
Thanks for your attention.

ID.	DESCRIPTION	QTY.
1	Top cover	1
2	Lateral supports	2
3	Central support	1
4	Black M8x30 screw DIN912	4
5	Metalic cilinder $\varnothing$ 14x12	4
6	M8 washer DIN125/A	4
7	M8 nuts DIN6923	4
8	Plastic ziptides	5
9	License support light	1
10	Reflector	1
11	Support for reflector	1
12	M5x10 screw ISO7380	2
13	M5 nuts DIN6923	2

## MOUNTING INSTRUCTIONS

LICENSE SUPPORT FOR  
HONDA MSX125 14'-15'

**Ref.: 7552N**



Learn more about motorcycle license plate accessories we have.