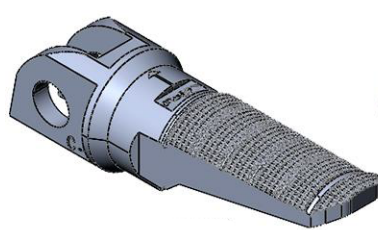
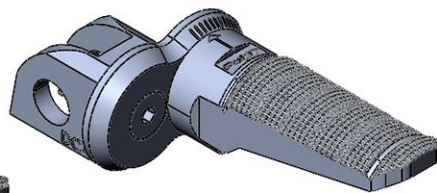


## ADJUSTABLE FOOTPEGS

We have developed a new range of foot peg adapter that allows the rider and passenger to adjust his foot position at his liking. This provides a great improve to the ergonomics of the bike. The image below these lines shows the differences between our standard footpeg adapter and the new adjustable adapter.

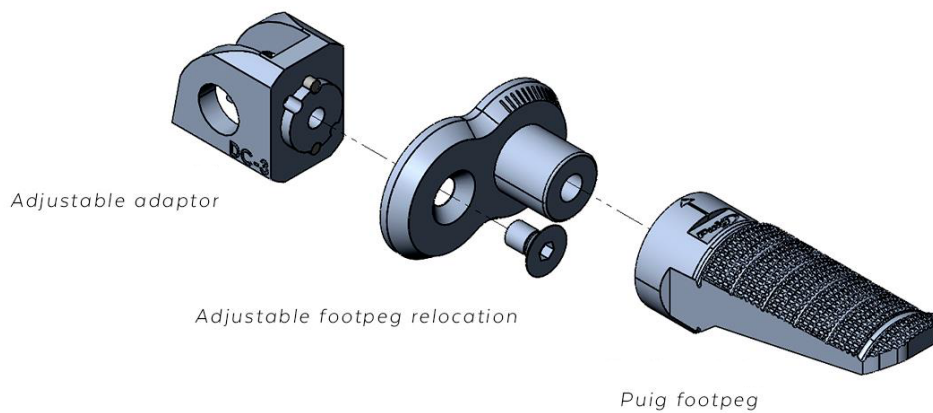


Standard footpeg



Adjustable footpeg

This new model is compatible with all Puig foot pegs references, even though it fits better with Racing, Sport, Vintage, R-Fighter, R-Fighter-S and Heritage models. To purchase this kit is necessary to acquire three references: the adjustable adapter, the adjustable footpeg relocation and the Puig foot peg.

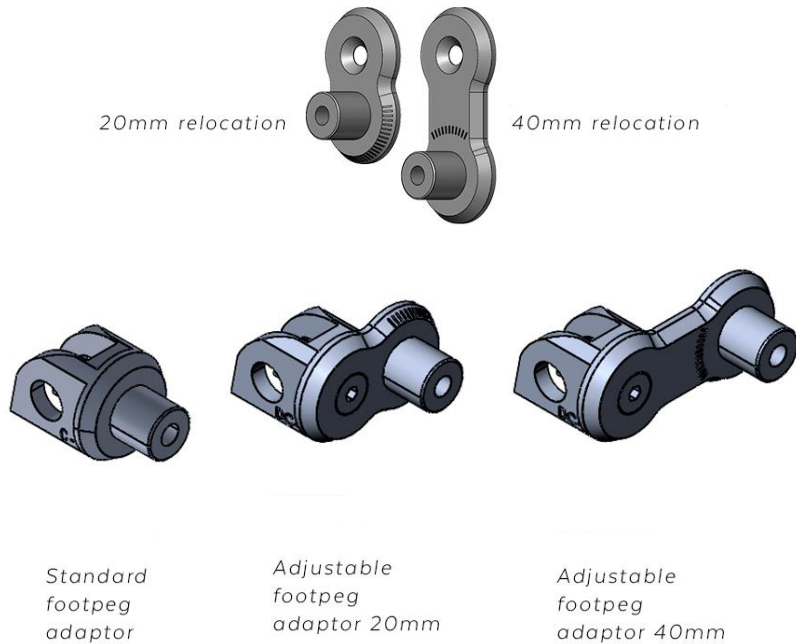


Adjustable adaptor

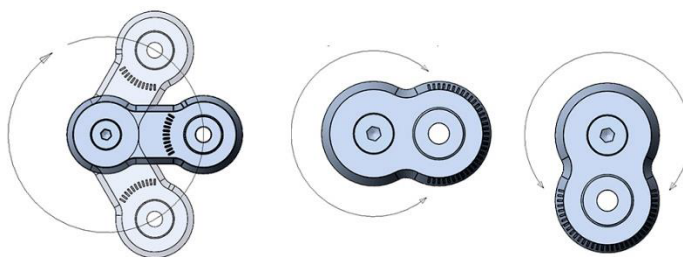
Adjustable footpeg relocation

Puig footpeg

There are two different foot peg adjustable relocation depending on the grade of displacement desired. The 20mm relocation was designed for both users, the driver and the passenger. The 40mm relocation is focused on the passenger, especially for R motorbikes.



The displaced adapter allows not only a relaxed position in the bike but also a racing mode. For example, people who have small foot could move the foot peg forward to get to foot controls better. In addition, people who desire a racing personality for their bike could set the foot peg back. This is possible due to a free-range regulation; the foot peg pivots 360 degrees on intervals of 15 degrees.



360° adjustable with 15° tilt intervals