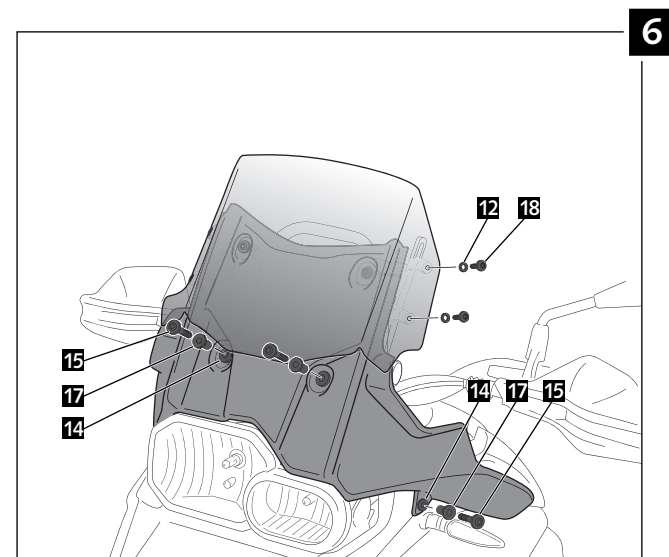
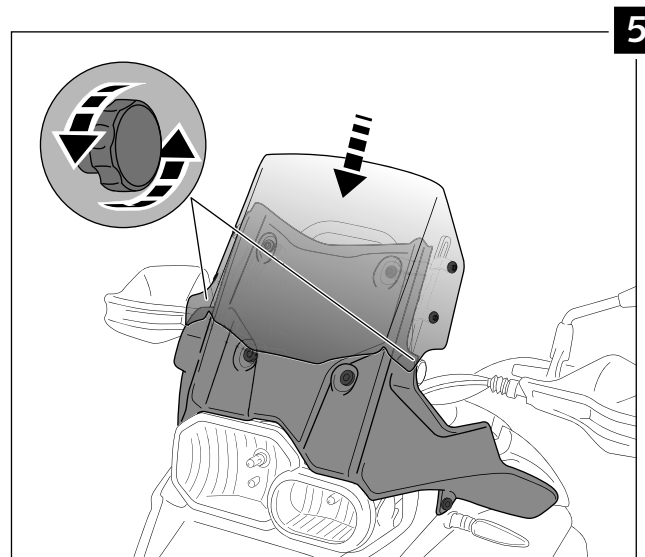
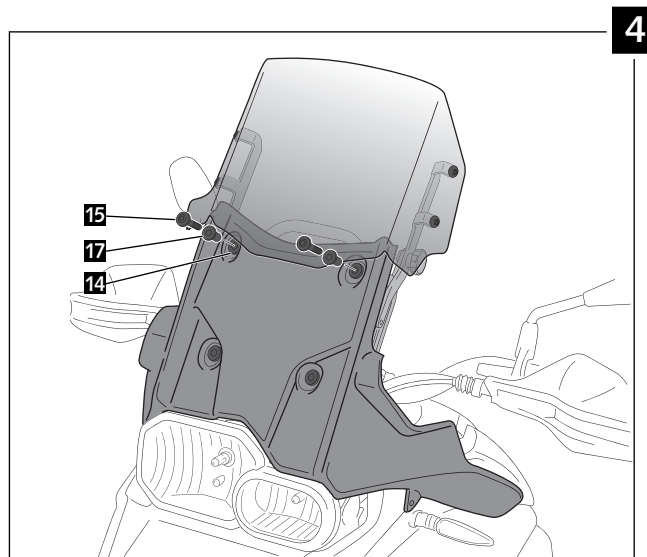
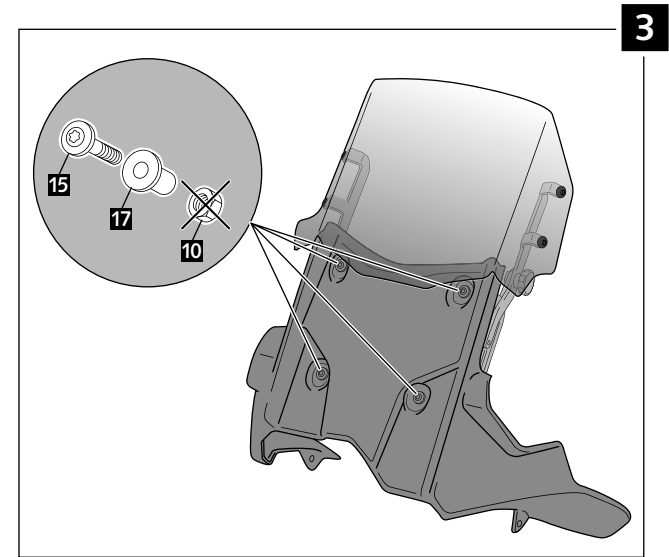
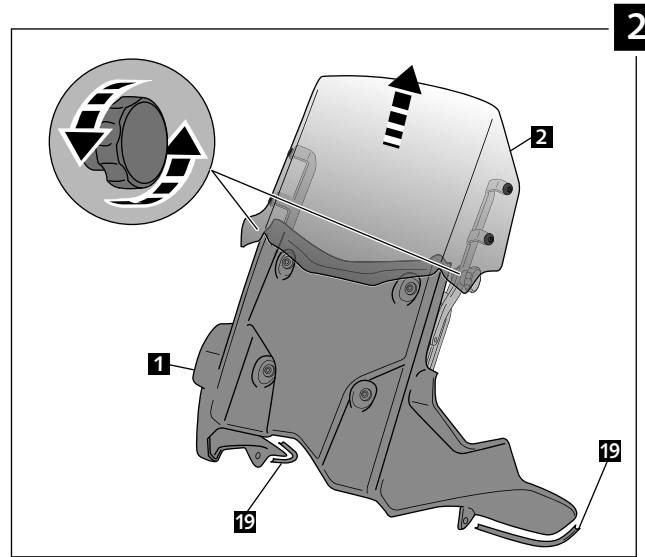
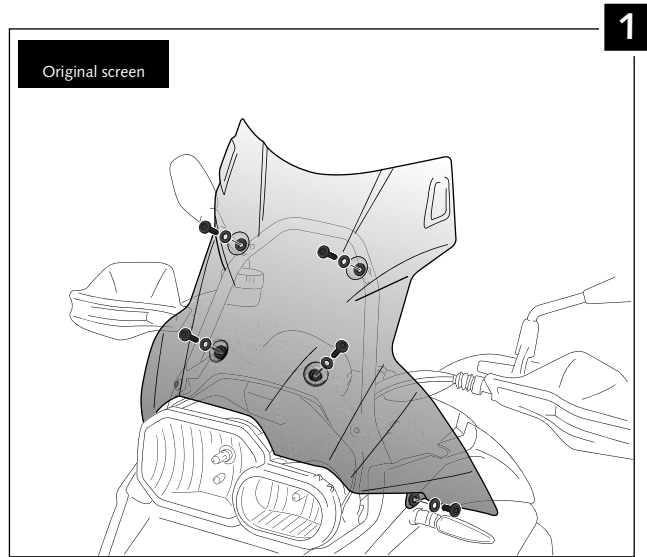













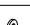
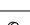

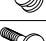




ADJUSTABLE SCREEN FOR BMW F800GS ADVENTURE

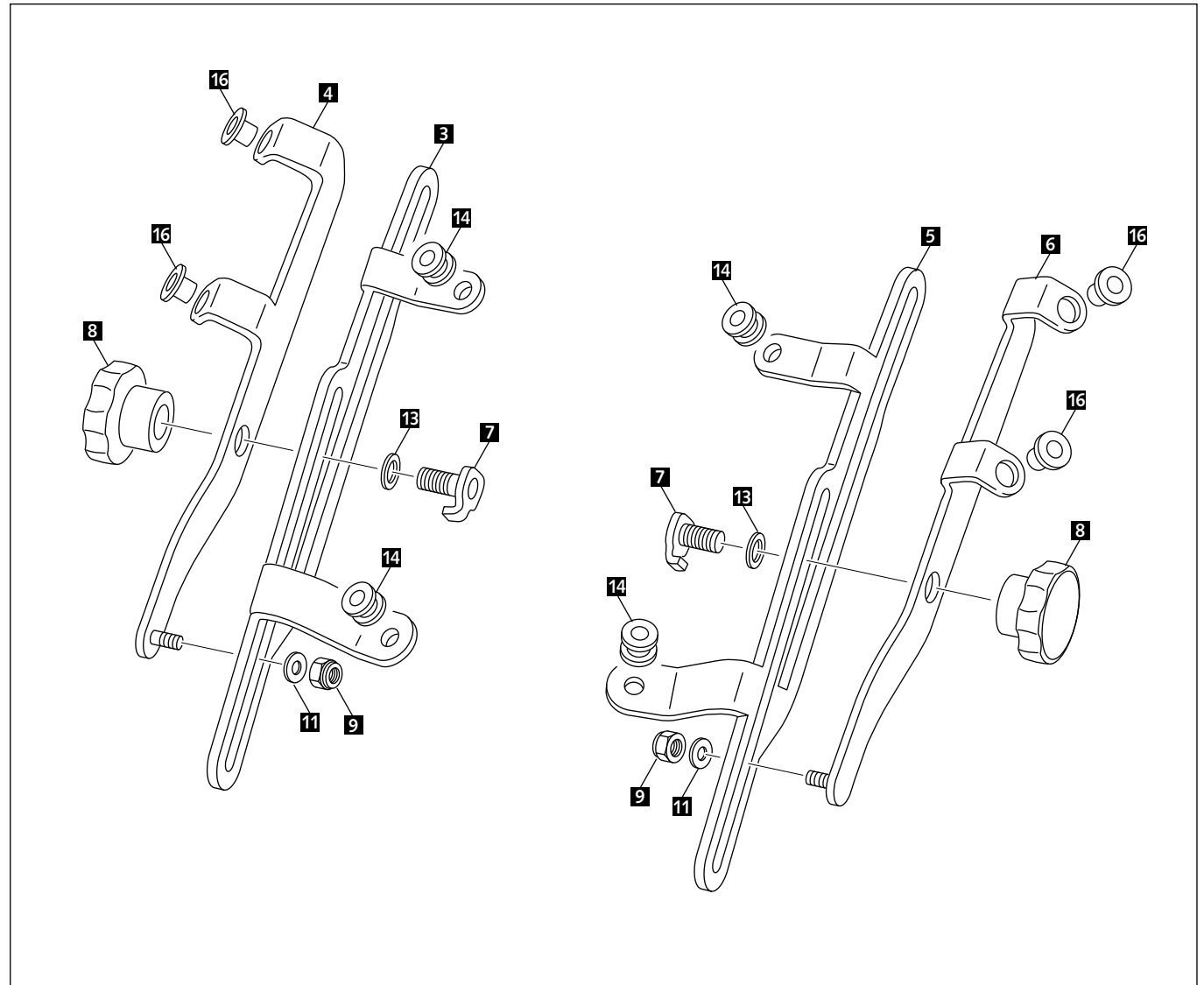
Ref.: 7307



ADJUSTABLE SCREEN FOR BMW F800GS ADVENTURE

Ref.: 7307

ID.		DESCRIPTION	QTY.
1		Black Fairing	1
2		Mobile screen	1
3		Right fixed metal bracket	1
4		Right mobile metal bracket	1
5		Left fixed metal bracket	1
6		Left mobile metal bracket	1
7		Threaded Guide	2
8		Plastic Knov	2
9		Nylon lock M5 nut	2
10		M5 washer	4
11		M5 washer	2
12		M5x0,5 nylon washer	4
13		M8 washer (black color)	2
14		Silemblock	6
15		M5x25 ISO 7380 Allen screw	6
16		M5 Silemblock	4
17		Bush with flange	6
18		M5x16 ISO 7380 Allen screw	4
19		Black trim Length 160mm, thickness 4mm (supplied already mounted on the piece n°1)	2



TIPS FOR A CORRECT WINDSCREEN ASSEMBLY

Due to storage and transport processes of the windscreens, which are subjected to positions and temperature changes out of our control, this may produce small deformations on the material causing some difficulties on the mounting process. It is recommended to:

- 1- Place the screws on one side without tighten all the way.
- 2- Stretch the windscreen to the other side (see Fig. 1). The flexibility of the material allows this stretch with no risk of breaking or cracking.
- 3- Place the screws without tightening all the way.
- 4- Tighten progressively all the screws.

