

**SPOOL SLIDER FOR
KTM REF: 7185N**

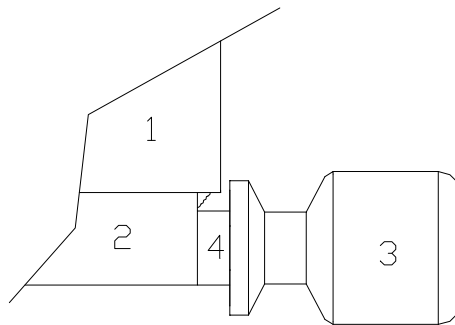


MOUNTING INSTRUCTIONS

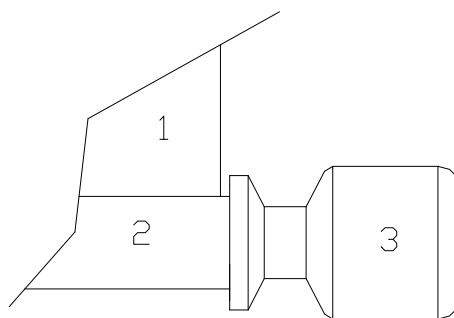
If the support (2) of the spool slider hides into the swing arm, use the arrowhead supplied (option A). Otherwise, mount the spool slider without it (option B).

Material supplied to assemble it on the bike:

NUMBER	DESCRIPTION	QTT
3	<i>Spool slider</i>	2
4	<i>Aluminium arrowhead</i>	2
	<i>DIN912 M10/150x40 fastener</i>	2



OPCION A



OPCION B