

# SPOOL SLIDER FOR KAWASAKI

REF: 7184N

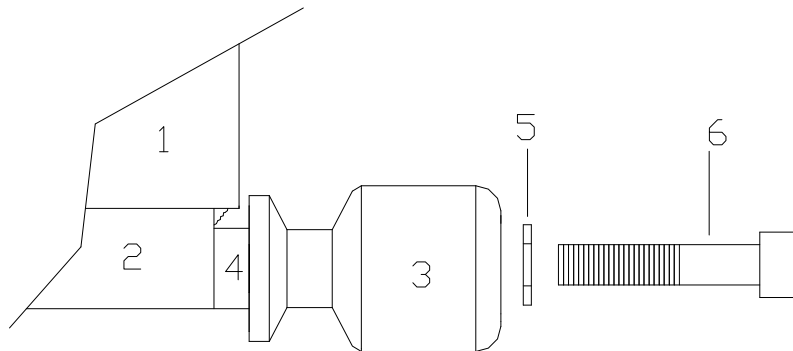


## MOUNTING INSTRUCTIONS

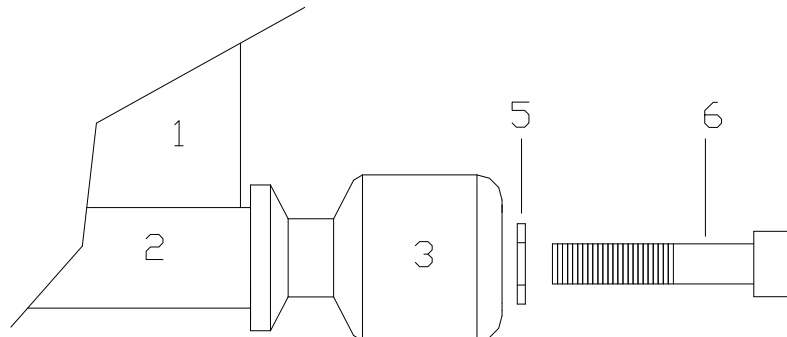
If the support (2) of the spool slider hides into the swing arm, use the arrowhead supplied (option A). Otherwise, mount the spool slider without it (option B).

Material supplied to assemble it on the bike:

NUMBER	DESCRIPTION	QTT
3	Spool slider Aluminium	2
4	arrowhead M8 washer	2
5	DIN912 M8x40 fastener	2
6		2



OPCION A



OPCION B