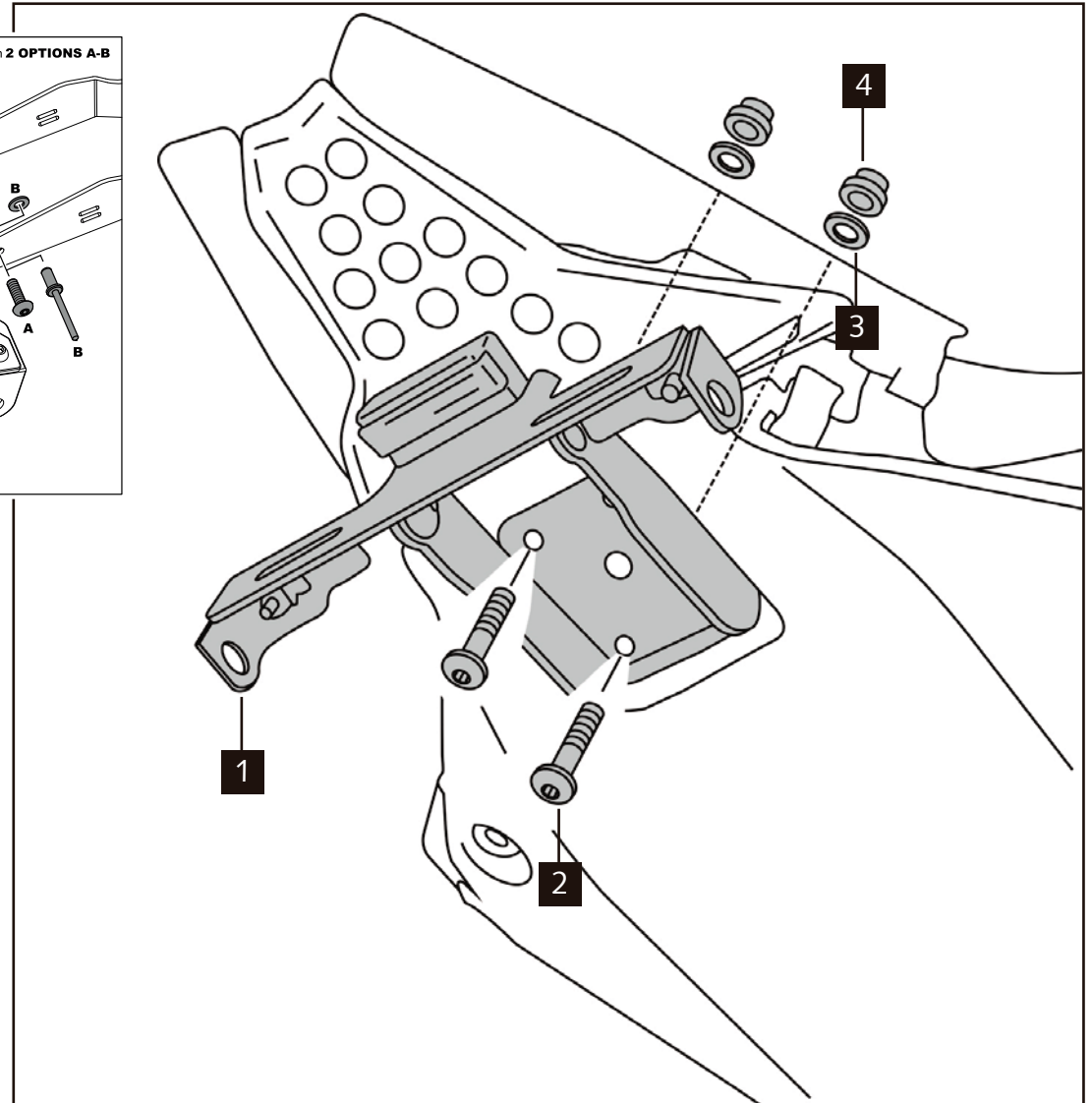
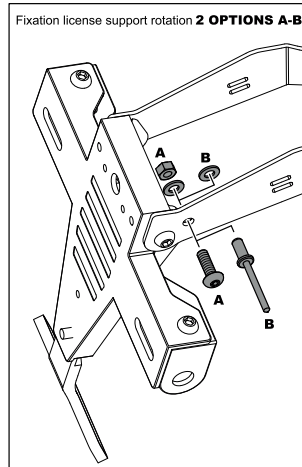




It would be convenient to re-tight the licence support screws, specially the ones that are fixed to the motorcycle, whenever you maintain the vehicle.

Thanks for your attention.

ID.	DESCRIPTION	QTY.
1	Stainless bracket	1
2	Black M6x20 allen fasteners	4
3	DIN9021 M6 washers	4
4	M6 nuts DIN6923	4
5	Plastic ziptides 2.5X98	4
6	License support light	1
7	Reflector	1



MOUNTING INSTRUCTIONS

LICENSE SUPPORT FOR KAWASAKI Z1000 - 2014

Ref.: **7102N**