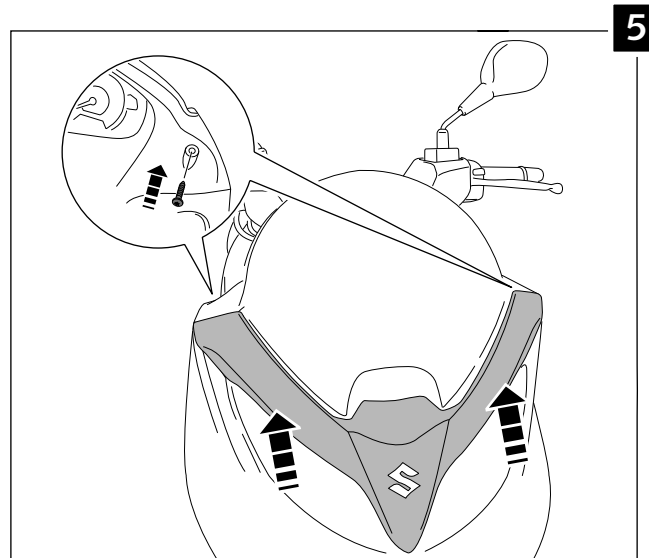
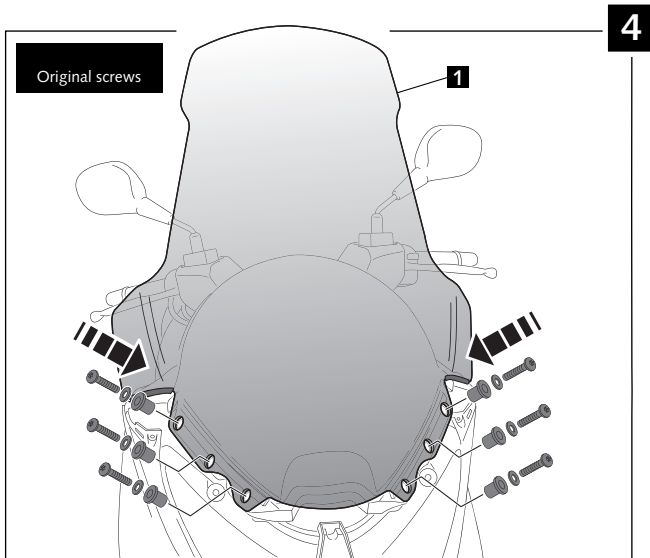
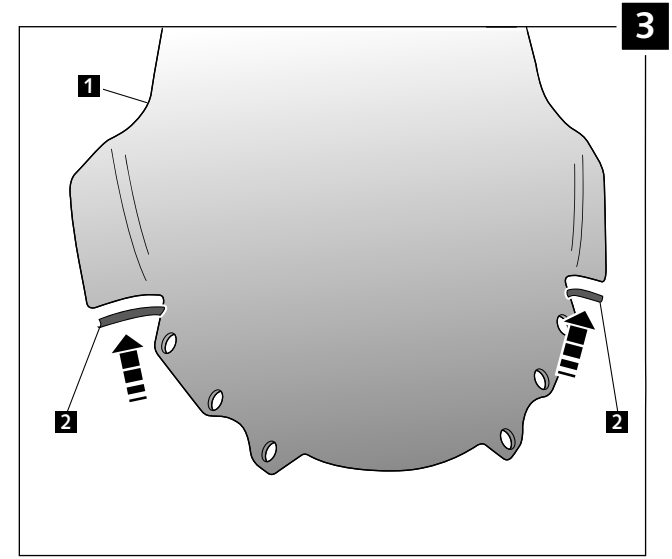
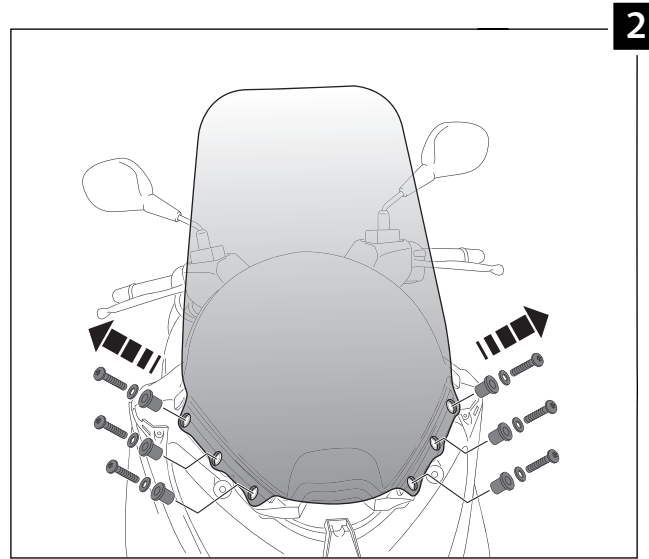
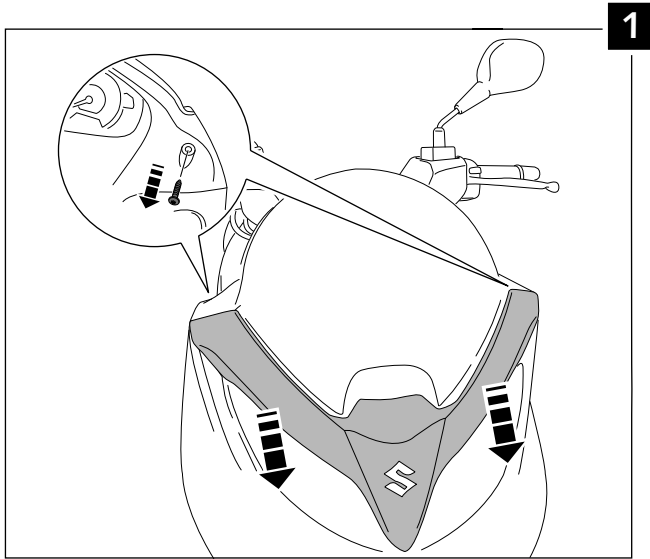
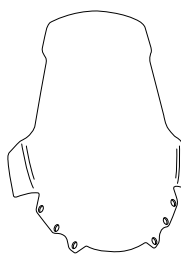
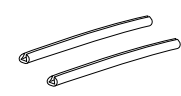


MOUNTING INSTRUCTIONS

WINDSCREEN ADAPTABLE TO
SUZUKI BURGMAN 125-200 '14-

Ref.: 7019



| ID. | DESCRIPTION | QTY. |
|-----|---|------|
| 1 |  <p>Windscreen</p> | 1 |
| 2 |  <p>Black Trim length 110mm, 4mm thickness. (supplied already mounted)</p> | 2 |