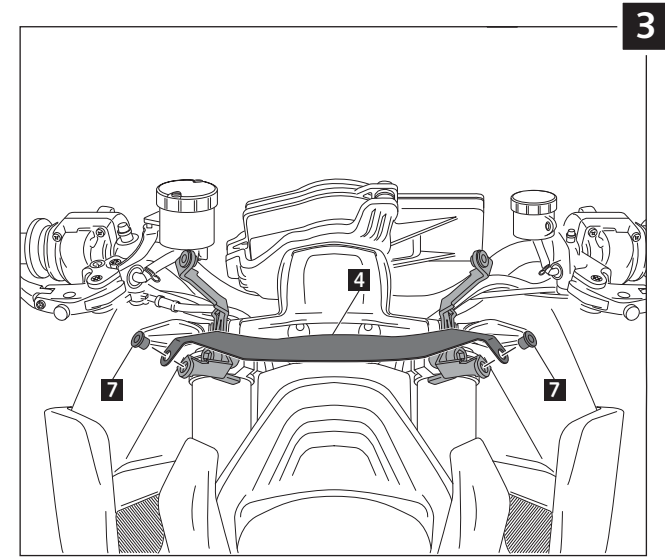
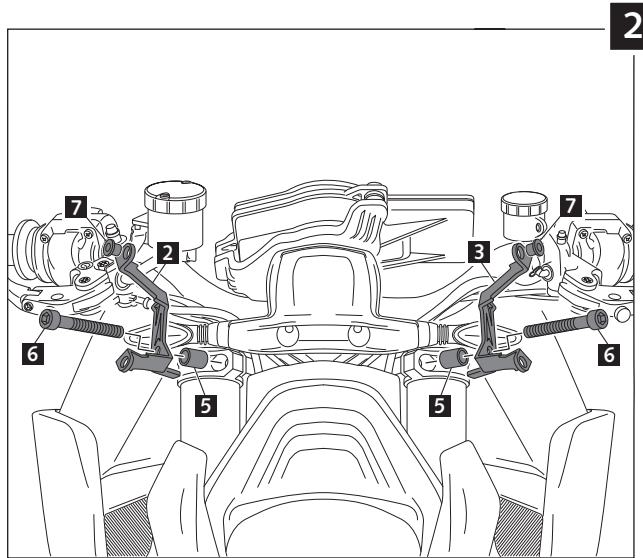
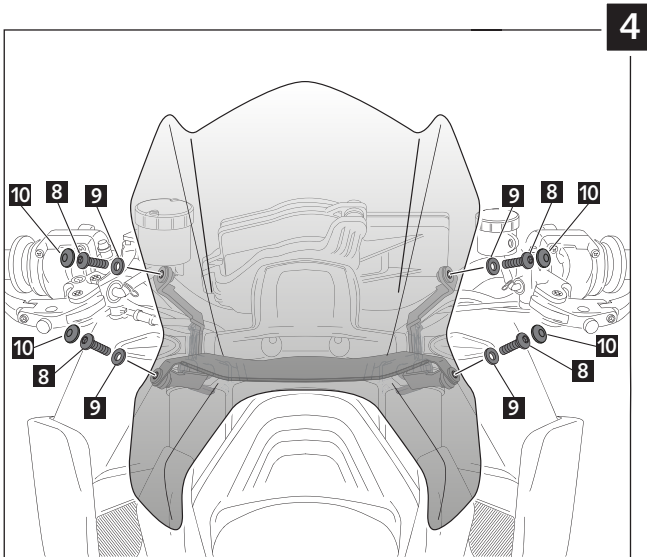
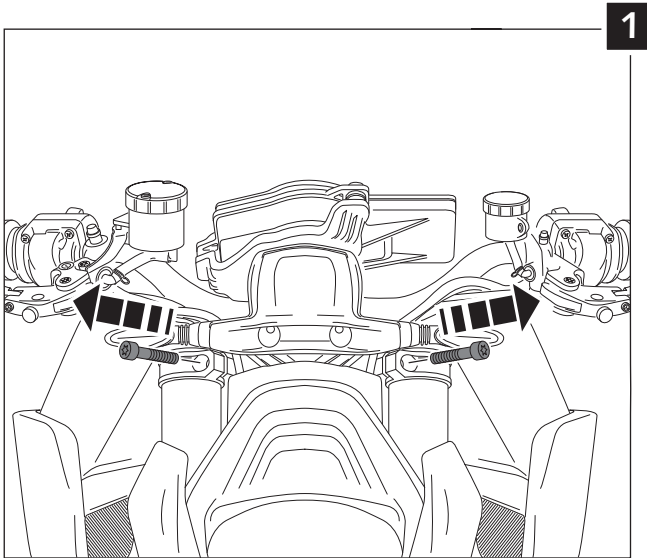












MOUNTING INSTRUCTIONS

WINDSHIELD FOR
KTM 1290 SUPERDUKE R

Ref.: 7014



ID.	DESCRIPTION	QTY.
1	 Windshield	1
2	 Right metal support	1
3	 Left metal support	1
4	 Anti-reflect Visor	1
5	 Ø inner 8,5 x Ø outer 14x20 arrowhead	2
6	 M8x55 Allen screw DIN 912	2
7	 M5 Silenblock	4
8	 M5x16 ISO 7380 Allen screw	4
9	 M5x0,5 nylon washer	4
10	 M5 ISO 7380 screw cap	4

MOUNTING INSTRUCTIONS

KTM 1290 SUPERDUKE

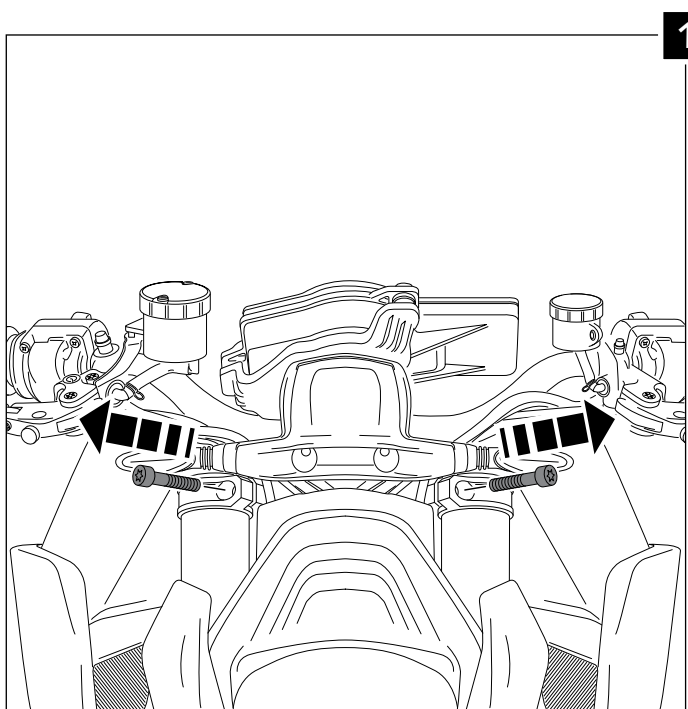
KIT SUPPORT TO MOVE THE PUIG SCREEN WHEN THE ORIGINAL GPS IS MOUNTED ON THE BIKE



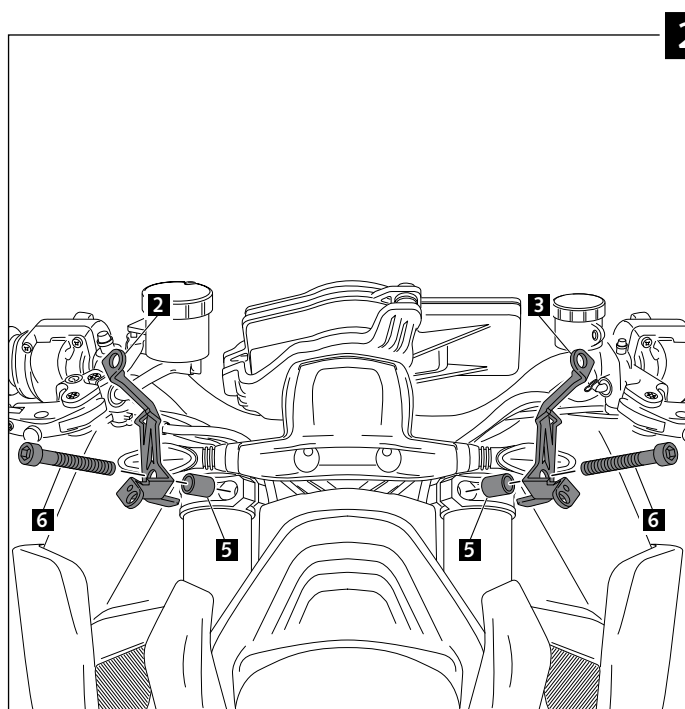
	ID.	PART	DESCRIPTION	QTY.
Windshield kit Ref.7014	1		Touring windshield	1
	2		Right metal windshield support	1
	3		Left metal windshield support	1
	4		Anti-reflect Visor	1
	5		Ø inner 8,5 x Ø outer 14x20 mm arrowhead	2
	6		DIN 912 M8x55 (black) Allen screw	2
	7		M5 Silentblock	4
	8		M5x0,5 nylon washer	4
	9		M5x16 ISO 7380 (black) Allen screw	4
Supports Kit for GPS 8140	10		Right metal GPS support	1
	11		Left metal GPS support	1
	7		M5 Silentblock	4
	9		M5x16 ISO 7380 (black) Allen screw	4

MOUNTING INSTRUCTIONS

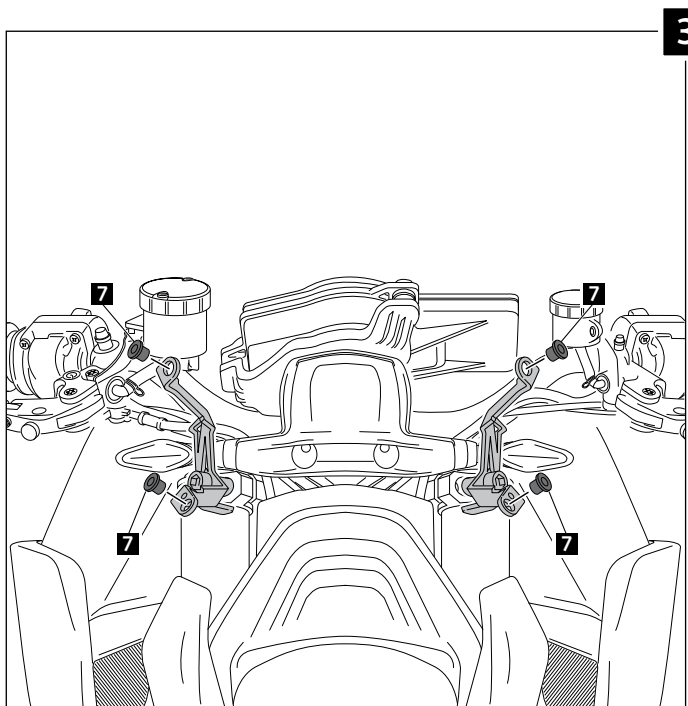
KIT SOPORTE CBRIS PUIG PARA GPS ORIGINAL KTM 1290 SUPERDUKE



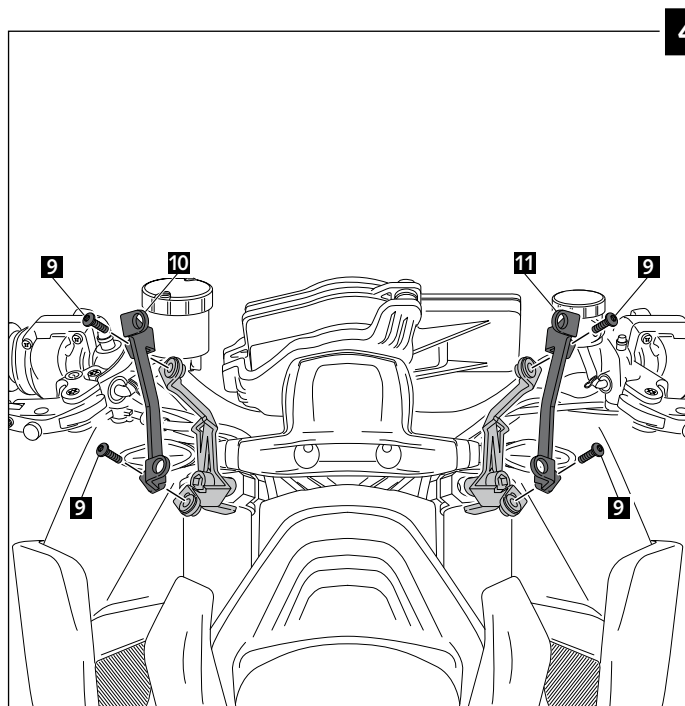
1



2



3



4

MOUNTING INSTRUCTIONS

SPECIAL SUPPORTS KIT FOR PUIG SCREEN FOR KTM 1290 SUPERDUKE WITH ORIGINAL GPS

