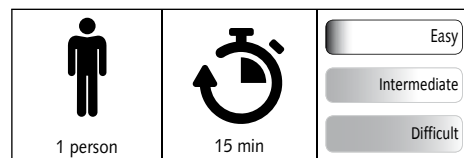
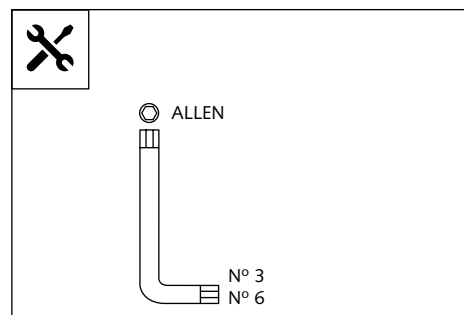
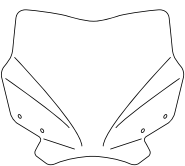
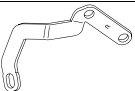
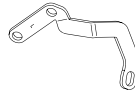

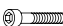






## WINDSHIELD FOR DUCATI MONSTER 797 - 821 - 1200 R/S

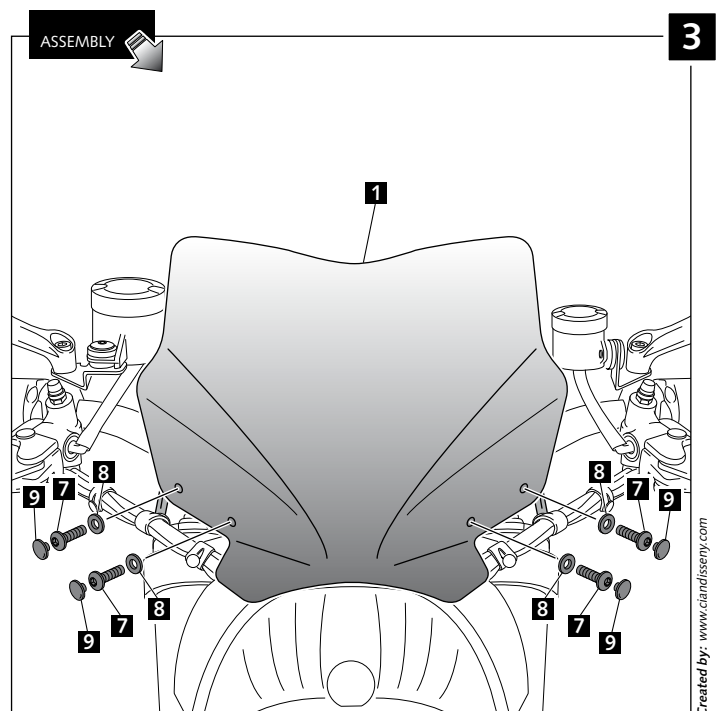
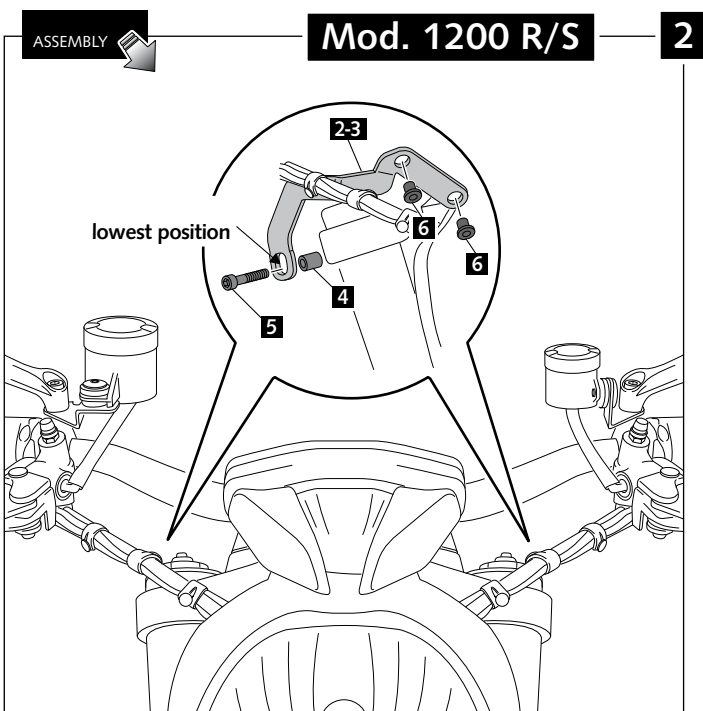
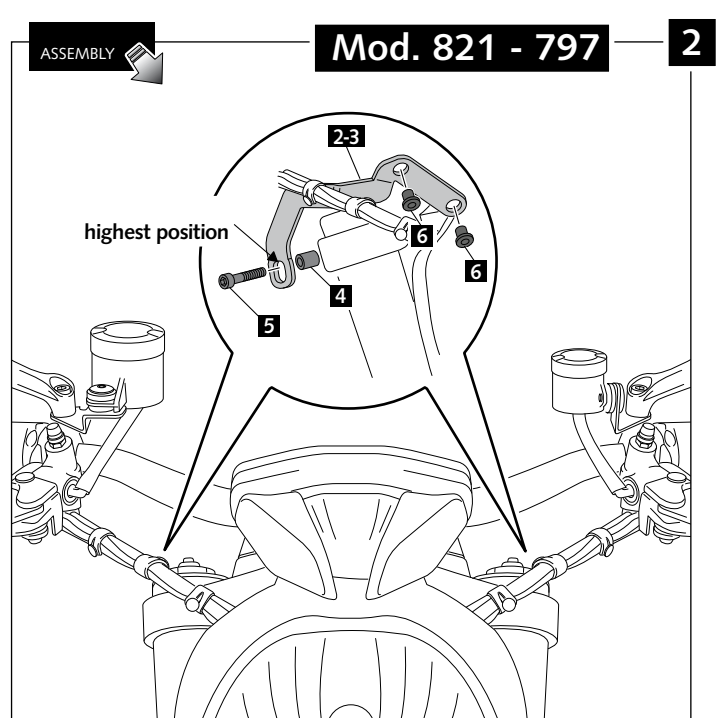
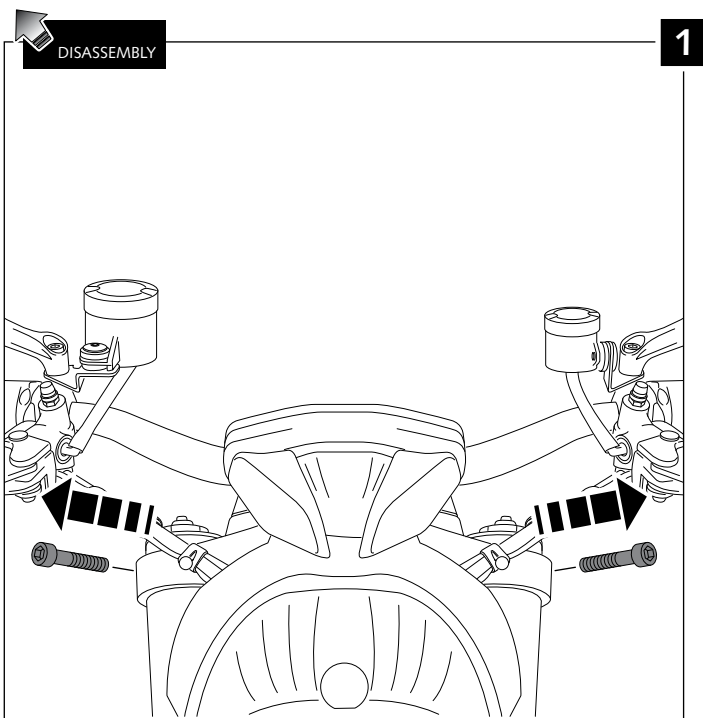
Ref.: 7013



ID	PIEZA / PART	DESCRIPTION	QTY	REF.
1		Windshield	1	7013C/F/H/N/R/WM3
2		Right metal support (R)	1	SOPOR-2P-7-7013
3		Left metal support (L)	1	SOPOR-2P-7-7013
4		Ø inner 8 x Ø outer 13x15 arrowhead	2	CASQUI-M----614
5		M8x45 DIN 912 Allen screw	2	TORNI-AD912-508
6		M5 Silemblock	4	SILENBTM5-046/1
7		M5x16 ISO 7380 Allen screw	4	TORNI-I7380-493
8		M5x0,5 nylon washer	4	ARAND00000000245
9		M5 ISO 7380 Allen screw cap	4	TAPON-----85

# DUCATI MONSTER 797 - 821 - 1200 R/S

## MOUNTING INSTRUCTIONS



## TIPS FOR A CORRECT WINDSCREEN ASSEMBLY

Due to storage and transport processes of the windscreens, which are subjected to positions and temperature changes out of our control, this may produce small deformations on the material causing some difficulties on the mounting process. It is recommended to:

- 1- Place the screws on one side without tighten all the way.
- 2- Stretch the windscreen to the other side (see Fig. 1). The flexibility of the material allows this stretch with no risk of breaking or cracking.
- 3- Place the screws without tightening all the way.
- 4- Tighten progressively all the screws.

